

Adiantum: length-preserving encryption for entry-level processors

Paul Crowley and Eric Biggers

Google LLC

{paulcrowley,ebiggers}@google.com

Abstract. We present HBSH, a simple construction for tweakable length-preserving encryption which supports the fastest options for hashing and stream encryption for processors without AES or other crypto instructions, with a provable quadratic advantage bound. Our composition Adiantum uses NH, Poly1305, XChaCha12, and a single AES invocation. On an ARM Cortex-A7 processor, Adiantum decrypts 4096-byte messages at 10.6 cycles per byte, over five times faster than AES-256-XTS, with a constant-time implementation. We also define HPolyC which is simpler and has excellent key agility at 13.6 cycles per byte.

Keywords: super-pseudorandom permutation · variable input length · tweakable encryption · disk encryption

1 Introduction

Two aspects of disk encryption make it a challenge for cryptography. First, performance is critical; every extra cycle is a worse user experience, and on a mobile device a reduced battery life. Second, the ciphertext can be no larger than the plaintext: a sector-sized read or write to the filesystem must mean a sector-sized read or write to the underlying device, or performance will again suffer greatly (as well as, in the case of writes to flash memory, the life of the device). Nonce reuse is inevitable as there is nowhere to store a varying nonce, and there is no space for a MAC; thus standard constructions like AES-GCM are not an option and standard notions of semantic security are unachievable. The best that can be done under the circumstances is a “tweakable super-pseudorandom permutation”: an adversary with access to both encryption and decryption functions who can choose tweak and plaintext/ciphertext freely is unable to distinguish it from a family of independent random permutations.

1.1 History

Hasty Pudding Cipher [Sch98] was a variable-input-length (VIL) primitive presented to the AES contest. A key innovation was the idea of a “spice”, which was later formalized as a “tweak” in [LRW02]. Mercy [Cro01] was a tweakable length-preserving primitive designed for sector encryption and cryptanalyzed in [Flu02].

[LR88] (see also [Mau93; Pat91]) shows how to construct a pseudorandom permutation using a three-round Feistel network of pseudorandom functions; proves that this is not a secure super-pseudorandom permutation (where the adversary has access to decryption as well as encryption) and that four rounds suffice for this aim. BEAR and LION [AB96] apply this result to an unbalanced Feistel network to build a VIL cipher from a hash function and a stream cipher (see also BEAST [Luc96a]).

[Luc96b] shows that a universal function suffices for the first round, which [NR99] extends to a four-round function to build a super-pseudorandom permutation.

More recently, proposals in this space have focused on the use of block ciphers. VIL mode [BR99] is a CBC-MAC based two-pass variable-input-length construction which is a PRP but not an SPRP. SPC mode [BD99] extends this to an SPRP. [HR03] gives the concrete security definition for a tweakable, variable-length, length-preserving SPRP, and defines CMC mode, a two-pass mode with a quadratic security bound. EME mode [HR04] is similar but parallelizable, while EME* mode [Hal05] extends EME mode to handle messages that are not a multiple of the block cipher size. PEP [CS06], TET [Hal07], and HEH [Sar07] have a mixing layer on either side of an ECB layer.

XCB [MF07] is a block-cipher based unbalanced three-round Feistel network with an ϵ -almost-XOR-universal hash function for the first and third rounds (“hash-XOR-hash”), which uses block cipher invocations on the narrow side of the network to ensure that the network is an SPRP, rather than just a PRP. HCTR [WFW05; CN08; Kum18], HCH [CS08], HSE [MM07], and HMC [Nan08] reduce this to a single block cipher invocation within the Feistel network. These proposals require either two AES invocations, or an AES invocation and two $\text{GF}(2^{128})$ multiplications, per 128 bits of input.

1.2 Our contribution

On the ARM architecture, the ARMv8 Cryptography Extensions include instructions that make AES and $\text{GF}(2^{128})$ multiplications much more efficient. However, smartphones designed for developing markets often use lower-end processors which don’t support these extensions, and as a result there is no existing SPRP construction which performs acceptably on them.

On such platforms stream ciphers such as ChaCha12 [Ber08a] significantly outperform block ciphers in cycles per byte, especially with constant-time implementations. Similarly, absent specific processor support, hash functions such as NH [Kro00] and Poly1305 hash [Ber05b] will be much faster than a $\text{GF}(2^{128})$ polynomial hash. Since these are the operations that act on the bulk of the data in a disk-sector-sized message, a hash-XOR-hash mode of operation relying on them should achieve much improved performance on such platforms.

To this end, we present the HBSH (hash, block cipher, stream cipher, hash) construction, which generalizes over constructions such as HCTR and HCH by taking an ϵ -almost- Δ -universal hash function and a nonce-accepting stream cipher as components. Based on this construction, our main proposal is Adiantum, which uses a combination of NH and Poly1305 for the hashing, XChaCha12 for the stream cipher, and AES for the single block cipher application. Adiantum:

- is a tweakable, variable-input-length, super-pseudorandom permutation
- has a security bound quadratic in the number of queries and linear in message length
- is highly parallelizable
- needs only three passes over the bulk of the data, or two if the XOR is combined with the second hash.

Without special cases or extra setup, Adiantum handles:

- any message and tweak lengths within the allowed range,
- varying message and tweak lengths for the same keys.

We also describe HPolyC, which does not use NH. HPolyC is 30% slower on large messages, but simpler and much more key agile.

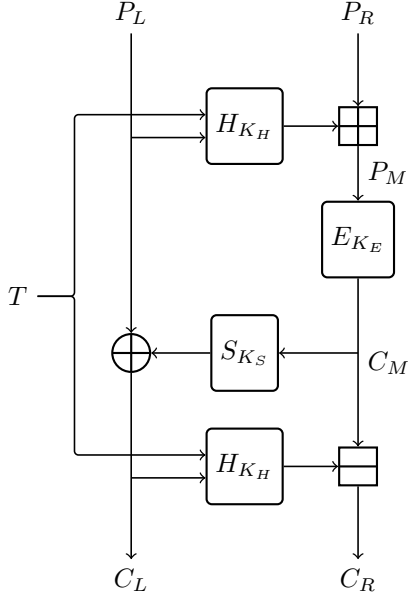


Figure 1: HBSH

```

procedure HBSHENCRIPT( $T, P$ )

```

```

 $P_L || P_R \leftarrow P$ 

```

```

 $P_M \leftarrow P_R \boxplus H_{K_H}(T, P_L)$ 

```

```

 $C_M \leftarrow E_{K_E}(P_M)$ 

```

```

 $C_L \leftarrow P_L \oplus S_{K_S}(C_M)[0; |P_L|]$ 

```

```

 $C_R \leftarrow C_M \boxminus H_{K_H}(T, C_L)$ 

```

```

 $C \leftarrow C_L || C_R$ 

```

```

return  $C$ 

```

```

end procedure

```

```

procedure HBSHDECRIPT( $T, C$ )

```

```

 $C_L || C_R \leftarrow C$ 

```

```

 $C_M \leftarrow C_R \boxplus H_{K_H}(T, C_L)$ 

```

```

 $P_L \leftarrow C_L \oplus S_{K_S}(C_M)[0; |C_L|]$ 

```

```

 $P_M \leftarrow E_{K_E}^{-1}(C_M)$ 

```

```

 $P_R \leftarrow P_M \boxminus H_{K_H}(T, P_L)$ 

```

```

 $P \leftarrow P_L || P_R$ 

```

```

return  $P$ 

```

```

end procedure

```

Figure 2: Pseudocode for HBSH; P_R , P_M , C_M , C_R are n bits long

2 Specification

Notation: Partial application is implicit; if we define $f : A \times B \rightarrow C$ and $a \in A$ then $f_a : B \rightarrow C$, and if f_a^{-1} exists then $f_a^{-1}(f_a(b)) = b$.

- $|X|$: length of $X \in \{0, 1\}^*$ in bits
- λ : the empty string $|\lambda| = 0$
- $||$: bitstring concatenation
- $Y[a; l]$: the subsequence of Y of length l starting at the 0-based index a .
- $\text{pad}_l(X) = X || 0^v$ where v is the least integer ≥ 0 such that l divides $|X| + v$
- $\text{int} : \{0, 1\}^* \rightarrow \mathbb{Z}$: the standard little-endian map such that $\text{int}(\lambda) = 0$, $\text{int}(0||X) = 2 \text{int}(X)$, $\text{int}(1||X) = 1 + 2 \text{int}(X)$
- $\text{bin}_l(y) = X$: the unique l -bit sequence such that $\text{int}(X) \equiv y \pmod{2^l}$
- n, l_S : parameters which depend on the primitives from which HBSH is built; for Adiantum and HPolyC, $n = 128$ and $l_S = 2^{73}$
- \mathcal{T} : the space of tweaks, which depends on the hash function used
- $\mathcal{M} = \bigcup_{i=n}^{l_S+n} \{0, 1\}^i$: the space of plaintexts and ciphertexts
- $\mathcal{L} = \bigcup_{i=0}^{l_S} \{0, 1\}^i$, $\mathcal{R} = \{0, 1\}^n$: messages are processed in two parts, $\mathcal{L} \times \mathcal{R}$
- $H : \mathcal{K}_H \times \mathcal{T} \times \mathcal{L} \rightarrow \mathcal{R}$: two-argument hash function with keyspace \mathcal{K}_H
- $\boxplus, \boxminus : \mathcal{R} \times \mathcal{R} \rightarrow \mathcal{R}$: group operations
- $E : \mathcal{K}_E \times \mathcal{R} \rightarrow \mathcal{R}$: n -bit block cipher with key space \mathcal{K}_E

- $S : \mathcal{K}_S \times \mathcal{N} \rightarrow \{0, 1\}^{l_S}$: stream cipher with key space \mathcal{K}_S and nonce space \mathcal{N}
- $\text{HBSH} : \mathcal{K}_S \times \mathcal{T} \times \mathcal{M} \rightarrow \mathcal{M}$: the HBSH construction takes a key, a tweak, and a plaintext, and returns a ciphertext such that $|\text{HBSH}_{K_S}(T, M)| = |M|$

We map bytes to bitstrings with bin_8 . Where we have eg $P_L \| P_R \leftarrow P$ with $P \in \mathcal{M}$, P_L, P_R is the unique pair of elements in $\mathcal{L} \times \mathcal{R}$ such that $P_L \| P_R = P$.

HBSH: The HBSH construction is shown in [Figure 1](#) and [Figure 2](#). From plaintext P of at least n bits and a tweak T , it generates a ciphertext C of the same length as P . HBSH divides the plaintext into a right-hand part of n bits and a left-hand part with the remainder of the input, and applies an unbalanced Feistel network.

Hash: H is an ϵ -almost- Δ -universal (ϵ - Δ U) function (as defined in [Subsection 5.2](#)) yielding a group element represented as an n -bit string. \boxplus represents addition in a group which depends on the hash function, and \boxminus subtraction.

Adiantum and HPolyC differ only in their choice of hash function. HPolyC is based on Poly1305, while Adiantum uses both Poly1305 and NH; specifically little-endian $\text{NH}^T[256, 32, 4]$ with a stride of 2 for fast vectorization. In both cases, the group used for \boxplus and \boxminus is $\mathbb{Z}/2^{128}\mathbb{Z}$. The value of ϵ depends on bounds on the input lengths. We defer full details to [Section 6](#).

Block cipher: The block cipher E is only invoked once no matter the size of the input, so for disk-sector-sized inputs its performance isn't critical. Adiantum and HPolyC use AES-256 [[NIS01](#)], so $n = 128$ and $\mathcal{K}_E = \{0, 1\}^{256}$.

Stream cipher: S is a stream cipher which takes a key and a nonce and produces a long random stream. In normal use the nonce is an n -bit string, but for key derivation we use the empty string λ , which is distinct from all n -bit strings; thus $\{\lambda\} \cup \mathcal{R} \subseteq \mathcal{N}$.

Adiantum and HPolyC use the XChaCha12 stream cipher. The ChaCha [[Ber08a](#)] stream ciphers take a 64-bit nonce, and RFC7539 [[NL15](#)] proposes a ChaCha20 variant with a 96-bit nonce, but we need a 128-bit nonce. The XSalsa20 construction [[Ber11](#)] proposed for Salsa20 [[Ber08b](#); [Ber06](#)] extends the nonce to 192 bits, and applies straightforwardly to ChaCha [[Arc18](#); [Vai18](#); [Den18](#)]. We then construct a function that takes a variable-length nonce of up to 191 bits by padding with a 1 followed by zeroes: $S_{K_S}(C_M) = \text{XChaCha12}_{K_S}(\text{pad}_{192}(C_M \| 1))$ and $\mathcal{N} = \bigcup_{i=0}^{191} \{0, 1\}^i$. The maximum output length $l_S = 2^{73}$, and key space $\mathcal{K}_S = \{0, 1\}^{256}$.

Key derivation: HBSH derives K_E and K_H from K_S using a zero-length nonce: $K_E \| K_H \| \dots = S_{K_S}(\lambda)$. An earlier version of this paper used $K_H \| K_E \| \dots = S_{K_S}(\lambda)$ for HPolyC.

A second, functional definition of HBSH is given in [Subsection 5.1](#).

3 Design

Three-pass structure: Any secure PRP must have a pass that reads all of the plaintext, followed by a pass that modifies it all. A secure SPRP must have the same property in the reverse direction; a three-pass structure therefore seems natural. ϵ - Δ U functions are the fastest options for reading the plaintext in a cryptographically useful way, and stream ciphers are the fastest options for modifying it. ϵ - Δ Us are typically much faster than stream ciphers, and so the hash-XOR-hash structure emerges as the best option for performance. This structure also has the advantage that it naturally handles messages in non-round sizes; many VIL modes need extra wrinkles akin to ciphertext stealing to handle the case where the message is not a multiple of the block size of the underlying block cipher.

Block cipher: [[LR88](#)] observes that a three-round Feistel network cannot by itself be a secure SPRP; a simple attack with two plaintexts and one ciphertext distinguishes it. A single block cipher call in the narrow part of the unbalanced network suffices to

frustrate this attack; the larger the message, the smaller the relative cost of this call. If the plaintext is exactly n bits long, the stream cipher is not used, and the construction becomes $C = E_{K_E}(P \boxplus H_{K_H}(T, \lambda)) \boxminus H_{K_H}(T, \lambda)$ as per Subsection 3.1 of [LRW02]. Compared to HCTR [WFW05] or HCH [CS08], we sacrifice symmetry of encryption with decryption in return for the ability to run the block cipher and stream cipher in parallel when decrypting. For disk encryption, decryption performance matters most: reads are more frequent than writes, and reads generally affect user-perceived latency, while operating systems can usually perform writes asynchronously in the background.

Components: It’s unusual for a construction to require more than two distinct primitive components. More commonly, a hash-XOR-hash mode uses the block cipher to build a stream cipher (eg using CTR mode [LWR00]) and also uses it directly on the narrow side of the message. Using XChaCha12 in place of a block cipher affords a significant increase in performance; however it cannot easily be substituted in the narrow side of the cipher. [Sar09; Sar11; CMS13; Cha+17] use only an ϵ - Δ U function and a stream cipher, and build a hash-XOR-hash SPRP with a construction that uses a four-round Feistel network over the non-bulk side of the data broken into two halves. However if we were to build this using XChaCha12, such a construction would require four extra invocations of ChaCha per message, which would be a much greater cost than one block cipher invocation.

KDM security: We do not consider an attack model in which derived keys are presented as input. Length-preserving encryption which is KDM-secure in the sense of [BRS03] is impossible, since it is trivial for the adversary to submit a query with a g -function that constructs a plaintext whose ciphertext is all zeroes. Whether there is a notion of KDM-security that can be applied in this domain is an open problem. Users must take care to protect the keys from being included in the input.

Stream cipher: Users are highly sensitive to the performance of disk encryption; an extra microsecond decrypting the contents of a sector can mean many users forgoing encryption altogether. eBACS [BL18] tests a wide variety of stream ciphers on a wide variety of architectures; ChaCha12 is consistently one of the fastest options for the “armeabi” (32-bit ARM) architecture. ChaCha and its predecessor Salsa20 have seen intense cryptanalysis in the decade or so since publication [Cro06; Fis+06; Tsu+07; Aum+08; IKM11; Ish12; Shi+13; MPM15; Mai16; CM16; DS17; CM17; DS18]; the best attack breaks 7 rounds, a landmark reached with [Aum+08] in 2008. Each round greatly increases the difficulty of attack. We therefore feel confident selecting the 12-round variant as giving good confidence in security while minimizing the cost to users.

Hash function: Since the ϵ - Δ U is run twice over the bulk of the message, its speed is especially crucial for large messages. One of the fastest such functions in software is NH, and it’s also appealingly simple; however as discussed in Subsection 6.3 it generally has to be combined with a second hashing stage, and for this purpose we use Poly1305. The 1KiB input size we specify for NH means that a simple, portable implementation of Poly1305 can be used without a great cost in speed; in contrast, for HPolyC a vectorized Poly1305 implementation is important. We considered using UHASH (as defined for UMAC [Kro06]) rather than our custom combination of NH and Poly1305; however, available UHASH implementations are not constant-time, and a constant-time implementation would be significantly slower.

Key agility: For the 4KiB messages of disk encryption, the 1KiB NH key size has only a small impact on key agility. Applications that need high key agility even on small messages may instead use HPolyC, which uses Poly1305 directly. The main cost of a new HPolyC key is a single XChaCha12 invocation to generate subkeys. ChaCha12 has no key schedule and makes no use of precomputation; XChaCha12 requires one extra call to the ChaCha permutation for each new nonce. No extra work is required for differing message or tweak lengths for either Adiantum or HPolyC.

Table 1: Performance on ARM Cortex-A7

Algorithm	Cycles per byte (4096-byte sectors)	Cycles per byte (512-byte sectors)
NH	1.3	1.4
Poly1305	2.9	3.3
ChaCha8	5.1	5.2
ChaCha12	7.1	7.2
Adiantum-XChaCha8-AES	8.5	13.2
Adiantum-XChaCha12-AES	10.6	15.8
ChaCha20	11.2	11.3
HPolyC-XChaCha8-AES	11.5	16.5
HPolyC-XChaCha12-AES	13.6	18.7
Adiantum-XChaCha20-AES	14.7	20.2
Speck128/128-XTS	15.0	16.1
Speck128/256-XTS	15.8	16.9
HPolyC-XChaCha20-AES	17.8	23.4
NOEKEON-XTS	26.9	27.9
XTEA-XTS	28.7	29.7
AES-128-XTS (encryption)	36.1	37.2
AES-128-XTS (decryption)	42.7	43.9
AES-256-XTS (encryption)	48.9	50.5
AES-256-XTS (decryption)	58.6	60.1

Constant-time: NH, Poly1305 and ChaCha12 are designed such that the most natural fast implementations are constant-time and free from data-dependent lookups. So long as the block cipher implementation also has these properties, Adiantum and HPolyC will inherit security against this class of side-channel attacks.

Parallelizability: NH, Poly1305 and ChaCha12 are highly parallelizable. The stream cipher and second hash stages can also be run in combination for a total of two passes over the bulk of the data, unlike a mode such as HEH [Sar07] which requires at least three. We put the “special” part on the right so that in typical uses the bulk encryption has the best alignment for fast operations.

Naming: “Adiantum” is the genus of the maidenhair fern, which in the language of flowers (floriography) signifies sincerity and discretion. [Tou19]

4 Performance

Efficient implementations of NH, Poly1305 and ChaCha are available for many platforms, as these algorithms are well-suited for implementation with either general-purpose scalar instructions or with general-purpose vector instructions such as NEON or AVX2. In Table 1 we show performance on an ARM Cortex-A7 processor in the Snapdragon 400 chipset running at 1.19 GHz. This processor supports the NEON vector instruction set, but not the ARM cryptographic extensions; it is used in many smartphones and smartwatches, especially low-end devices, and is representative of the kind of platform we mean to target. Where the figures are within 2%, a single row is shown for both encryption and decryption.

We have prioritized performance on 4096-byte messages, but we also tested 512-byte messages. 512-byte disk sectors were the standard until the introduction of Advanced Format in 2010; modern large hard drives and flash drives now use 4096-byte sectors. On Linux, 4096 bytes is the standard page size, the standard allocation unit size for

Table 2: Implementations

Algorithm	Source	Notes
ChaCha	Linux v4.20-rc1	<code>chacha20-neon-core.S</code> , modified to support ChaCha8 and ChaCha12
Poly1305	OpenSSL 1.1.0h	<code>poly1305-armv4.S</code> , modified to precompute key powers just once per key
AES	Linux v4.17	<code>aes-cipher-core.S</code> , modified to prefetch lookup tables
AES-XTS	Linux v4.17	<code>aes-neonbs-core.S</code> (bit-sliced)
Speck128/256-XTS	Linux v4.17	<code>speck-neon-core.S</code>
NOEKEON-XTS	ours	
XTEA-XTS	ours	

filesystems, and the granularity of *fsencrypt* file-based encryption, while *dm-crypt* full-disk encryption has recently been updated to support this size.

For comparison we evaluate against various block ciphers in XTS mode [IEE08]: AES [NIS01], Speck [Bea+13; Bea+15; Bea+17], NOEKEON [Dae+00], and XTEA [NW97]. We also include the performance of ChaCha, NH, and Poly1305 by themselves for reference.

We used the fastest constant-time implementation of each algorithm we were able to find or write for the platform; see Table 2. As an exception, given the high difficulty of writing truly constant-time AES software [Ber05a], for single-block AES we tolerate an implementation that merely prefetches the lookup tables as a hardening measure. In every case the performance-critical parts were written in assembly language, usually using NEON instructions. Our tests complete processing of each message before starting the next, so latency of a single message in cycles is the product of message size and cpb.

Adiantum and HPolyC are the only algorithms in Table 1 that are tweakable super-pseudorandom permutations over the entire sector. We expect any AES-based construction to that end to be significantly slower than AES-XTS.

We conclude that for 4096-byte sectors, Adiantum (aka Adiantum-XChaCha12-AES) can perform significantly better than an aggressively designed block cipher (Speck128/256) in XTS mode.

5 Security of HBSH

Assuming the security of the underlying block and stream ciphers, we show here that HBSH has an advantage bound that grows quadratically with the number of queries.

5.1 Definition of HBSH

We provide here an equivalent definition of HBSH in functional form. Where a parameter is given as $L||R$ we have that $L \in \mathcal{L}$, $R \in \mathcal{R}$, $L||R \in \mathcal{M}$.

$$\begin{aligned} \xi &: \mathcal{K}_H \times \mathcal{T} \times \mathcal{M} \rightarrow \mathcal{R} \\ \xi_{K_H}(T, L||R) &\stackrel{\text{def}}{=} R \boxplus H_{K_H}(T, L) \end{aligned}$$

$$\begin{aligned}
\phi &: \mathcal{K}_H \times \mathcal{T} \times \mathcal{M} \rightarrow \mathcal{M} \\
\phi_{K_H, T}(L \| R) &\stackrel{\text{def}}{=} L \| \xi_{K_H}(T, L \| R) \\
&= L \| (R \boxplus H_{K_H}(T, L)) \\
\phi_{K_H, T}^{-1}(L \| R) &= L \| (R \boxminus H_{K_H}(T, L)) \\
\theta &: \text{Perm}(\mathcal{R}) \times (\mathcal{N} \rightarrow \{0, 1\}^{l_S}) \times \mathcal{M} \rightarrow \mathcal{M} \\
\theta_{\pi, F}(L \| R) &\stackrel{\text{def}}{=} (L \oplus F(\pi(R)) [0; |L|]) \| \pi(R) \\
\theta_{\pi, F}^{-1}(L \| R) &= (L \oplus F(R) [0; |L|]) \| \pi^{-1}(R) \\
\eta &: \mathcal{K}_H \times \text{Perm}(\mathcal{R}) \times (\mathcal{N} \rightarrow \{0, 1\}^{l_S}) \times \mathcal{T} \times \mathcal{M} \rightarrow \mathcal{M} \\
\eta_{K_H, \pi, F, T} &\stackrel{\text{def}}{=} \phi_{K_H, T}^{-1} \circ \theta_{\pi, F} \circ \phi_{K_H, T} \\
\bar{\eta} &: (\mathcal{N} \rightarrow \{0, 1\}^{l_S}) \times \mathcal{T} \times \mathcal{M} \rightarrow \mathcal{M} \\
\bar{\eta}_F &\stackrel{\text{def}}{=} \eta_{K_H, E_{K_E}, F} \quad \text{where } K_E \| K_H \| \dots = F(\lambda) \\
\text{HBSH} &: \mathcal{K}_S \times \mathcal{T} \times \mathcal{M} \rightarrow \mathcal{M} \\
\text{HBSH}_{K_S} &\stackrel{\text{def}}{=} \bar{\eta}_{S_{K_S}}
\end{aligned}$$

5.2 Security definitions

Hash function: The hash function H must be ϵ -almost- Δ -universal (ϵ - Δ U) for some ϵ [Sti95]: for any $g \in \mathcal{R}$ and any two distinct messages $(T, L) \neq (T', L')$:

$$\Pr_{K \leftarrow \mathcal{K}_H} [H_K(T, L) \boxminus H_K(T', L') = g] \leq \epsilon$$

Given bounds on the lengths of T and L , the value of ϵ for the hash function used in HPolyC is given in Subsection 6.2, and for Adiantum in Subsection 6.4.

Block cipher: The block cipher E must be a super-pseudorandom permutation [Bel+97]:

$$\begin{aligned}
\text{Adv}_E^{\pm\text{prp}}(A) &\stackrel{\text{def}}{=} \left| \Pr_{K \leftarrow \mathcal{K}_E} [A^{E_K, E_K^{-1}} \Rightarrow 1] \right. \\
&\quad \left. - \Pr_{\pi \leftarrow \text{Perm}(\mathcal{R})} [A^{\pi, \pi^{-1}} \Rightarrow 1] \right| \\
\text{Adv}_E^{\pm\text{prp}}(q, t) &\stackrel{\text{def}}{=} \max_{A \in \mathcal{A}(q, t)} \text{Adv}_E^{\pm\text{prp}}(A)
\end{aligned}$$

where A is an adversary, $\text{Perm}(S)$ denotes the set of all permutations on a set S , and $\mathcal{A}(q, t)$ is the set of all adversaries that make at most q queries and take at most t time.

Stream cipher: Our definition is related to the definition of a PRF in [Bel+97], but because we model the stream cipher S as a pseudorandom function with a very long output, we bound the adversary not only in how many queries they make, but also in how many bits they read in total. Thus, a query consists of a pair $(N, l_q) \in \mathcal{N} \times \mathbb{N}$ where $0 < l_q \leq l_S$, and the response is $S_K(N)[0; l_q]$ or $F(N)[0; l_q]$; we cap the sum of l_q values

across queries.

$$\begin{aligned} \text{Adv}_S^{\text{sc}}(A) &\stackrel{\text{def}}{=} \left| \Pr_{K \leftarrow \mathcal{K}_S} \left[A^{S_K(\cdot)[0:]} \Rightarrow 1 \right] \right. \\ &\quad \left. - \Pr_{F \leftarrow \mathcal{F}(\mathcal{N} \rightarrow \{0,1\}^{l_S})} \left[A^{F(\cdot)[0:]} \Rightarrow 1 \right] \right| \\ \text{Adv}_S^{\text{sc}}(q, l, t) &\stackrel{\text{def}}{=} \max_{A \in \mathcal{A}(q, l, t)} \text{Adv}_S^{\text{sc}}(A) \end{aligned}$$

where A is an adversary, $\mathcal{N} \rightarrow \{0,1\}^{l_S}$ denotes the set of all functions from \mathcal{N} to $\{0,1\}^{l_S}$, and $\mathcal{A}(q, l, t)$ is the set of all adversaries that make at most q queries such that $\sum l_q \leq l$, and which take at most t time.

Tweakable SPRP: Let $\text{LP}^{\mathcal{T}}(\mathcal{M})$ denote the set of all tweakable length-preserving functions $f : \mathcal{T} \times \mathcal{M} \rightarrow \mathcal{M}$ such that for all $T, M \in \mathcal{T} \times \mathcal{M}$, $|f(T, M)| = |M|$. Let $\text{Perm}^{\mathcal{T}}(\mathcal{M})$ denote the set of $\pi \in \text{LP}^{\mathcal{T}}(\mathcal{M})$ such that for all $T \in \mathcal{T}$, π_T is a bijection. In an abuse of notation we use π^{-1} to refer to the function such that $\pi^{-1}(T, \pi(T, M)) = M$ ie $(\pi^{-1})_T = (\pi_T)^{-1}$.

Per [HR03], for a tweakable, variable-input-length, super-pseudorandom permutation $E : \mathcal{K} \times \mathcal{T} \times \mathcal{M} \rightarrow \mathcal{M}$ the distinguishing advantage of an adversary A is:

$$\begin{aligned} \text{Adv}_E^{\pm \widetilde{\text{prp}}}(A) &\stackrel{\text{def}}{=} \left| \Pr_{K \leftarrow \mathcal{K}} \left[A^{E_K, E_K^{-1}} \Rightarrow 1 \right] \right. \\ &\quad \left. - \Pr_{\pi \leftarrow \text{Perm}^{\mathcal{T}}(\mathcal{M})} \left[A^{\pi, \pi^{-1}} \Rightarrow 1 \right] \right| \end{aligned}$$

and

$$\text{Adv}_E^{\pm \widetilde{\text{prp}}}(q, l_T, l_M, t) \stackrel{\text{def}}{=} \max_{A \in \mathcal{A}(q, l_T, l_M, t)} \text{Adv}_E^{\pm \widetilde{\text{prp}}}(A)$$

where $\mathcal{A}(q, l_T, l_M, t)$ is the set of all adversaries that make at most q queries, with tweak of length at most l_T and message of length at most l_M , and take at most t time.

5.3 Primary claim

Theorem 1. *Where HBSH mode is instantiated with hash function H , block cipher E and stream cipher S , and where H is ϵ -almost- Δ -universal for inputs such that $|T| \leq l_T$, $|L| \leq l_M - n$, then:*

$$\begin{aligned} \text{Adv}_{\text{HBSH}}^{\pm \widetilde{\text{prp}}}(q, l_T, l_M, t) &\leq (\epsilon + 2(2^{-n})) \binom{q}{2} \\ &\quad + \text{Adv}_S^{\text{sc}}(q + 1, |K_E| + |K_H| + q(l_M - n), t') \\ &\quad + \text{Adv}_E^{\pm \text{prp}}(q, t') \end{aligned}$$

where $t' = t + \mathcal{O}(q(l_T + l_M))$.

This is proven in what follows. First we use the H-coefficient technique to establish Lemma 4, a closely related bound; then in Subsection 5.7 we bridge the gap between this bound and the desired bound.

5.4 H-coefficient technique

The H-coefficient technique was introduced by Patarin in 1991 [Pat91; Pat09]. In what follows we rely on the highly recommended exposition of [CS14] Section 3, “The

H-coefficient Technique in a Nutshell”, though we vary slightly by introducing a new symbol Υ so we can distinguish between what is sampled and the adversary oracles.

We wish to bound the adversary’s ability to distinguish between two “worlds”, world X (the “real world”) and world Y (the “ideal world”). Associated with world X we have

- Ω_X : a set of instances we sample fairly from. We write \Pr_{Ω_X} as shorthand for $\Pr_{\omega \leftarrow \Omega_X}$.
- Υ_X : a map from an instance $\omega \in \Omega_X$ to a tuple of deterministic oracles we can present to the adversary.
- $\rho_X \stackrel{\text{def}}{=} \Pr_{\Omega_X} [A^{\Upsilon_X(\omega)} \Rightarrow 1]$ where the adversary A is clear from context. As the adversary interacts with the oracles, a transcript τ of queries and responses is generated.
- X : a random variable representing a transcript for $A^{\Upsilon_X(\omega)}$ given $\omega \leftarrow \Omega_X$; we write $\tau \leftarrow X$ to indicate that τ is sampled from this distribution.
- comp_X : We write $\omega \in \text{comp}_X(\tau)$ if a transcript τ is “compatible” with an instance $\omega \in \Omega_X$, ie if given an adversary A that makes those queries, the oracles $\Upsilon_X(\omega)$ make those responses and thus $A^{\Upsilon_X(\omega)}$ produces that transcript.

We have the same for world Y throughout.

We assume a deterministic adversary. This is without loss of generality; if we assume a distribution of adversaries $A \leftarrow \mathcal{A}$ then an advantage bound on each of the deterministic adversaries A bounds the advantage of the ensemble \mathcal{A} .

Once ω is sampled, the oracles $\Upsilon_X(\omega)$ are then deterministic; the transcript produced by $A^{\Upsilon_X(\omega)}$ is thus the unique transcript compatible both with adversary A and instance ω . Where a transcript is not compatible with A , $\Pr[X = \tau] = \Pr[Y = \tau] = 0$. If either of these is not zero, the transcript is compatible with A , and $\Pr[X = \tau] = \Pr_{\Omega_X} [\omega \in \text{comp}_X(\tau)]$ and similarly for Y .

The adversary always returns the same result for the same transcript, so its advantage is maximized if it returns 1 exactly when $\Pr[Y = \tau] > \Pr[X = \tau]$. Therefore:

$$\begin{aligned}
\text{Adv}_X^Y(A) &= |\rho_X - \rho_Y| \\
&\leq \sum_{\tau: \Pr[Y=\tau] > \Pr[X=\tau]} (\Pr[Y = \tau] - \Pr[X = \tau]) \\
&= \sum_{\tau: \Pr[Y=\tau] > \Pr[X=\tau]} \Pr[Y = \tau] \left(1 - \frac{\Pr[X = \tau]}{\Pr[Y = \tau]}\right) \\
&= \sum_{\tau: \Pr[Y=\tau] > 0} \Pr[Y = \tau] \left(1 - \min\left(1, \frac{\Pr[X = \tau]}{\Pr[Y = \tau]}\right)\right) \\
&= \mathbb{E}_{\tau \leftarrow Y} \left[1 - \min\left(1, \frac{\Pr[X = \tau]}{\Pr[Y = \tau]}\right)\right] \\
&= 1 - \mathbb{E}_{\tau \leftarrow Y} \left[\min\left(1, \frac{\Pr_{\Omega_X} [\omega \in \text{comp}_X(\tau)]}{\Pr_{\Omega_Y} [\omega \in \text{comp}_Y(\tau)]}\right)\right]
\end{aligned}$$

where \mathbb{E} is the expected value. With this rearrangement, the only probability distribution we sum over is that of Y , which can be more convenient to work with.

5.5 Preliminaries

World X: World X is an idealized form of HBSH which uses a random function and permutation: $\Omega_X \stackrel{\text{def}}{=} \mathcal{K}_H \times \text{Perm}(\mathcal{R}) \times (\mathcal{N} \rightarrow \{0,1\}^{ls})$, and given $(K_H, \pi, F) \in \Omega_X$, $\Upsilon_X(K_H, \pi, F) \stackrel{\text{def}}{=} (\eta_{K_H, \pi, F}, \eta_{K_H, \pi, F}^{-1})$.

World \mathbf{Y} : World \mathbf{Y} samples fairly from all possible pairs of tweakable length-preserving functions: $\Omega_Y \stackrel{\text{def}}{=} \text{LP}^{\mathcal{T}}(\mathcal{M}) \times \text{LP}^{\mathcal{T}}(\mathcal{M})$, so given $(\mathcal{E}, \mathcal{D}) \in \Omega_Y$, $\Upsilon_Y(\mathcal{E}, \mathcal{D}) \stackrel{\text{def}}{=} (\mathcal{E}, \mathcal{D})$.

Transcript: Our transcript τ is a sequence of tuples (d^i, T^i, P^i, C^i) in $\{+, -\} \times \mathcal{T} \times \mathcal{M} \times \mathcal{M}$ for $i \in [0 \dots q-1]$. For the i th sequential query d^i is the direction of the query: if $d^i = +$ then a plaintext query T^i, P^i is made and the result is C^i , while if $d^i = -$ then a ciphertext query T^i, C^i is made and the result is P^i .

Pointless queries: We consider adversaries contained in $\mathcal{A}(q, l_T, l_M, t)$ for some value of the bounds q, l_T, l_M, t . Without loss of generality, we consider only adversaries who do not make “pointless” queries as defined in [HR03]. Thus for $i < j$, if $d^j = +$ then $(T^i, P^i) \neq (T^j, P^j)$, and similarly if $d^j = -$ then $(T^i, C^i) \neq (T^j, C^j)$.

Bad events: We define various classes of “bad event”:

- $(K_H, \tau) \in \mathbf{badQ}$ if there exists $i < j$ such that either
 - $d^j = +$ and $\xi_{K_H}(T^i, P^i) = \xi_{K_H}(T^j, P^j)$, or
 - $d^j = -$ and $\xi_{K_H}(T^i, C^i) = \xi_{K_H}(T^j, C^j)$.
- $(K_H, \tau) \in \mathbf{badR}$ if there exists $i < j$ such that either
 - $d^j = +$ and $\xi_{K_H}(T^i, C^i) = \xi_{K_H}(T^j, C^j)$, or
 - $d^j = -$ and $\xi_{K_H}(T^i, P^i) = \xi_{K_H}(T^j, P^j)$.

Finally we define the disjunction $\mathbf{bad} \stackrel{\text{def}}{=} \mathbf{badQ} \cup \mathbf{badR}$.

5.6 Lemmas

Lemma 1. *For any τ such that $\Pr[Y = \tau] > 0$,*

$$\Pr_{K_H \leftarrow \mathcal{K}_H} [(K_H, \tau) \in \mathbf{badQ}] \leq \epsilon \binom{q}{2}$$

Proof. Assume $d^j = +$ for some pair i, j , and let $L^i \| R^i = P^i$ and similarly for P^j . From $\Pr[Y = \tau] > 0$ we know that $|T^i|, |T^j| \leq l_T$ and $|P^i|, |P^j| \leq l_M$, and therefore that $|L^i|, |L^j| \leq l_M - n$. Because pointless queries are forbidden we also know that $(T^i, P^i) \neq (T^j, P^j)$.

$$\begin{aligned} \xi_{K_H}(T^i, L^i \| R^i) &= \xi_{K_H}(T^j, L^j \| R^j) \\ \Leftrightarrow R^i \boxplus H_{K_H}(T^i, L^i) &= R^j \boxplus H_{K_H}(T^j, L^j) \\ \Leftrightarrow H_{K_H}(T^i, L^i) \boxplus H_{K_H}(T^j, L^j) &= R^j \boxplus R^i \end{aligned}$$

If $(T^i, L^i) = (T^j, L^j)$ then $R^i \neq R^j$ and equality cannot occur. Otherwise by the ϵ - Δ U property of H this occurs with probability at most ϵ (where ϵ depends on the bounds on the parameters $l_T, l_M - n$).

Where $d^j = -$, a similar argument applies for C^i, C^j . For an upper bound, we sum across all $\binom{q}{2}$ pairs i, j . \square

Lemma 2. *For any $K_H \leftarrow \mathcal{K}_H$,*

$$\Pr_{\tau \leftarrow \mathcal{Y}} [(K_H, \tau) \in \mathbf{badR}] \leq 2^{-n} \binom{q}{2}$$

Proof. Assume $d^j = +$ for some pair i, j , and let $L^i \| R^i = C^i$ and similarly for C^j . Because pointless queries are forbidden, in world Y, conditioning on all prior queries and responses, all possible values of C^j such that $|C^j| = |P^j|$ will be equally likely. In particular, even after conditioning on L^j , all values of R^j are equally likely. Therefore $\Pr[R^j = R^i \boxplus H_{K_H}(T^i, L^i) \boxplus H_{K_H}(T^j, L^j)] = 2^{-n}$.

Where $d^j = -$, a similar argument applies for P^i, P^j . For an upper bound, we sum across all $\binom{q}{2}$ pairs i, j . \square

Lemma 3. *For any $K_H \in \mathcal{K}_H$ and transcript τ such that $\Pr[Y = \tau] > 0$ and $(K_H, \tau) \notin \mathbf{bad}$,*

$$\Pr_{\Omega_X}[\omega \in \mathbf{comp}_X(\tau) \mid \omega = (K_H, \cdot, \cdot)] \geq \Pr_{\Omega_Y}[\omega \in \mathbf{comp}_Y(\tau)]$$

Proof. In world Y, for any transcript such that $\Pr[Y = \tau] > 0$, since all queries are distinct, the responses are independent fair random draws of binary strings of the appropriate length, and therefore $\Pr_{\Omega_Y}[\omega \in \mathbf{comp}_Y(\tau)] = \prod_i 2^{-|P^i|}$.

For world X, let $P_L^i \| P_R^i = P^i$, $P_M^i = \xi_{K_H, T^i}(P^i)$ and similarly for C^i . Since $(K_H, \tau) \notin \mathbf{bad}$ we have that $P_M^i \neq P_M^j$ and $C_M^i \neq C_M^j$ for all $i \neq j$. $(K_H, \pi, F) \in \mathbf{comp}_X(\tau)$ exactly if, for each i :

$$\begin{aligned} \eta_{K_H, \pi, F, T^i}(P^i) &= C^i \\ \Leftrightarrow \phi_{K_H, T^i}^{-1}(\theta_{\pi, F}(\phi_{K_H, T^i}(P^i))) &= C^i \\ \Leftrightarrow \theta_{\pi, F}(P_L^i \| P_M^i) &= C_L^i \| C_M^i \\ \Leftrightarrow P_L^i \oplus F(C_M^i)[0; |P_L^i|] &= C_L^i \wedge \pi(P_M^i) = C_M^i \\ \Leftrightarrow F(C_M^i)[0; |P^i| - n] &= P_L^i \oplus C_L^i \wedge \pi(P_M^i) = C_M^i \end{aligned}$$

Since π and F are drawn independently, we can consider these conditions on them separately. For F , since all C_M^i are distinct, these are once again independent fair random draws of binary strings of the appropriate length:

$$\Pr_{F \leftarrow \mathfrak{s}}(\mathcal{N} \rightarrow \{0,1\}^{l_S}) [\forall_i : F(C_M^i)[0; |P^i| - n] = P_L^i \oplus C_L^i] = \prod_i 2^{-(|P^i| - n)}$$

For π , again given that all P_M^i are distinct and all C_M^i are distinct, we have that

$$\Pr_{\pi \leftarrow \mathfrak{s}} \text{Perm}(\mathcal{R}) \left[\pi(P_M^j) = C_M^j \mid \forall_{0 \leq i < j} : \pi(P_M^i) = C_M^i \right] = \frac{1}{2^n - j}$$

(we number queries in the range $i \in [0 \dots q - 1]$) and therefore that:

$$\Pr_{\pi \leftarrow \mathfrak{s}} \text{Perm}(\mathcal{R}) [\forall_i : \pi(P_M^i) = C_M^i] = \prod_i \frac{1}{2^n - i}$$

Therefore:

$$\begin{aligned} &\Pr_{\Omega_X}[\omega \in \mathbf{comp}_X(\tau) \mid \omega = (K_H, \cdot, \cdot)] \\ &= \Pr_{\pi \leftarrow \mathfrak{s}} \text{Perm}(\mathcal{R}), F \leftarrow \mathfrak{s}(\mathcal{N} \rightarrow \{0,1\}^{l_S}) [\forall_i : \eta_{K_H, \pi, F, T^i}(P^i) = C^i] \\ &= \prod_i \frac{1}{2^n - i} 2^{-(|P^i| - n)} \\ &\geq \prod_i 2^{-|P^i|} = \Pr_{\Omega_Y}[\omega \in \mathbf{comp}_Y(\tau)] \end{aligned} \quad \square$$

Lemma 4.

$$|\rho_X - \rho_Y| \leq (\epsilon + 2^{-n}) \binom{q}{2}$$

Proof. For any transcript τ such that $\Pr[Y = \tau] > 0$:

$$\begin{aligned} & \min \left(1, \frac{\Pr_{\Omega_X}[\omega \in \text{comp}_X(\tau)]}{\Pr_{\Omega_Y}[\omega \in \text{comp}_Y(\tau)]} \right) \\ &= \min \left(1, \frac{\mathbb{E}_{K_H \leftarrow \mathcal{K}_H} [\Pr_{\Omega_X}[\omega \in \text{comp}_X(\tau) \mid \omega = (K_H, \cdot, \cdot)]]}{\Pr_{\Omega_Y}[\omega \in \text{comp}_Y(\tau)]} \right) \end{aligned}$$

$\min(1, \mathbb{E}[U]) \geq \mathbb{E}[\min(1, U)]$ for any real random variable U , therefore

$$\begin{aligned} & \geq \mathbb{E}_{K_H \leftarrow \mathcal{K}_H} \left[\min \left(1, \frac{\Pr_{\Omega_X}[\omega \in \text{comp}_X(\tau) \mid \omega = (K_H, \cdot, \cdot)]}{\Pr_{\Omega_Y}[\omega \in \text{comp}_Y(\tau)]} \right) \right] \\ & \geq \Pr_{K_H \leftarrow \mathcal{K}_H} \left[\frac{\Pr_{\Omega_X}[\omega \in \text{comp}_X(\tau) \mid \omega = (K_H, \cdot, \cdot)]}{\Pr_{\Omega_Y}[\omega \in \text{comp}_Y(\tau)]} \geq 1 \right] \end{aligned}$$

by Lemma 3

$$\geq \Pr_{K_H \leftarrow \mathcal{K}_H} [(K_H, \tau) \notin \mathbf{bad}]$$

Using the H-coefficient technique:

$$\begin{aligned} & |\rho_X - \rho_Y| \\ & \leq 1 - \mathbb{E}_{\tau \leftarrow Y} \left[\min \left(1, \frac{\Pr_{\Omega_X}[\omega \in \text{comp}_X(\tau)]}{\Pr_{\Omega_Y}[\omega \in \text{comp}_Y(\tau)]} \right) \right] \\ & \leq 1 - \mathbb{E}_{\tau \leftarrow Y} [\Pr_{K_H \leftarrow \mathcal{K}_H} [(K_H, \tau) \notin \mathbf{bad}]] \\ & = \Pr_{\tau \leftarrow Y, K_H \leftarrow \mathcal{K}_H} [(K_H, \tau) \in \mathbf{bad}] \\ & \leq \Pr_{\tau \leftarrow Y, K_H \leftarrow \mathcal{K}_H} [(K_H, \tau) \in \mathbf{badQ}] + \Pr_{\tau \leftarrow Y, K_H \leftarrow \mathcal{K}_H} [(K_H, \tau) \in \mathbf{badR}] \end{aligned}$$

by Lemma 1 and Lemma 2

$$\leq (\epsilon + 2^{-n}) \binom{q}{2} \quad \square$$

5.7 Proof of primary claim

Proof of Theorem 1. Copying the definitions of ρ_X, ρ_Y from Subsection 5.4, we define

$$\begin{aligned} \rho_V &\stackrel{\text{def}}{=} \Pr_{K_S \leftarrow \mathcal{K}_S} \left[A^{\text{HBSH}_{K_S}, \text{HBSH}_{K_S}^{-1}} \Rightarrow 1 \right] \\ \rho_W &\stackrel{\text{def}}{=} \Pr_{F \leftarrow \mathcal{N} \rightarrow \{0,1\}^{l_S}} \left[A^{\bar{\eta}_F, \bar{\eta}_F^{-1}} \Rightarrow 1 \right] \\ \rho_X &\stackrel{\text{def}}{=} \Pr_{\Omega_X} \left[A^{\Upsilon_X(\omega)} \Rightarrow 1 \right] \\ &= \Pr_{K_H, \pi, F \leftarrow \Omega_X} \left[A^{\eta_{K_H, \pi, F}, \eta_{K_H, \pi, F}^{-1}} \Rightarrow 1 \right] \\ \rho_Y &\stackrel{\text{def}}{=} \Pr_{\Omega_Y} \left[A^{\Upsilon_Y(\omega)} \Rightarrow 1 \right] \\ &= \Pr_{\mathcal{E}, \mathcal{D} \leftarrow \text{LP}^{\mathcal{T}}(\mathcal{M}) \times \text{LP}^{\mathcal{T}}(\mathcal{M})} \left[A^{\mathcal{E}, \mathcal{D}} \Rightarrow 1 \right] \\ \rho_Z &\stackrel{\text{def}}{=} \Pr_{\pi \leftarrow \text{Perm}^{\mathcal{T}}(\mathcal{M})} \left[A^{\pi, \pi^{-1}} \Rightarrow 1 \right] \end{aligned}$$

Distinguishing ρ_V and ρ_W is distinguishing the substitution of a stream cipher for a random function. Including the key schedule, the adversary distinguishing ρ_V and ρ_W makes at most $q + 1$ queries to the stream cipher or random function respectively, and uses at most $|K_E| + |K_H| + q(l_M - n)$ bits of the output; by a standard substitution argument per [BKR94; Bel+97], $|\rho_V - \rho_W| \leq \text{Adv}_S^{\text{sc}}(q + 1, |K_E| + |K_H| + q(l_M - n), t')$ where $t' = t + \mathcal{O}(q(l_T + l_M))$.

The differences between ρ_W and ρ_X are the use of a block cipher in place of a random permutation, and the use of $F(\lambda)$ to determine K_E and K_H . Since F is a random function and $F(\lambda)$ is used only here, this is equivalent to choosing them at random; again by a substitution argument we have that $|\rho_W - \rho_X| \leq \text{Adv}_E^{\pm\text{PRP}}(q, t')$.

$|\rho_X - \rho_Y| \leq (\epsilon + 2^{-n}) \binom{q}{2}$ by Lemma 4. Since we forbid pointless queries, $|\rho_Y - \rho_Z| \leq 2^{-n} \binom{q}{2}$ by Halevi and Rogaway's PRP-RND lemma ([HR03], Appendix C, Lemma 6).

Theorem 1 follows by summing these bounds: $|\rho_V - \rho_Z| \leq |\rho_V - \rho_W| + |\rho_W - \rho_X| + |\rho_X - \rho_Y| + |\rho_Y - \rho_Z|$. \square

6 ϵ - Δ U functions for HBSH

Adiantum and HPolyC are identical except for the choice of ϵ - Δ U hash function $H_{K_H}(T, L)$. In each case the value of ϵ depends on bounds on $|T|$ and $|L|$. If queries to HBSH are bounded to a maximum tweak and plaintext/ciphertext length of $|T| \leq l_T$, $|P|, |C| \leq l_M$ then the bounds on queries to H will be $|T| \leq l_T$, $|L| \leq l_L = l_M - n$.

6.1 Poly1305

Both Adiantum and HPolyC make use of the polynomial hash function Poly1305:

$$\begin{aligned} \text{PolyP} &: \mathbb{Z} \times \{0, 1\}^* \rightarrow \mathbb{Z} \\ \text{PolyP}(k, \lambda) &\stackrel{\text{def}}{=} 0 \\ \text{PolyP}(k, M_1 \| M_2) &\stackrel{\text{def}}{=} k(\text{PolyP}(k, M_1) + \text{int}(M_2 \| 1)) \bmod 2^{130} - 5 \\ &\quad \text{where } 128 \text{ divides } |M_1|, 0 < |M_2| \leq 128 \\ \text{PolyMask} &\stackrel{\text{def}}{=} 1^{28} \| 0^6 \| 1^{26} \| 0^6 \| 1^{26} \| 0^6 \| 1^{26} \| 0^4 \\ \text{Poly1305} &: \{0, 1\}^{128} \times \{0, 1\}^* \rightarrow \{0, 1\}^{128} \\ \text{Poly1305}_K(M) &\stackrel{\text{def}}{=} \text{bin}_{128}(\text{PolyP}(\text{int}(K \wedge \text{PolyMask}), M)) \end{aligned}$$

where \wedge denotes bitwise AND. The output group for which the ϵ - Δ U property applies is $\mathbb{Z}/2^{128}\mathbb{Z}$, so we define

$$\begin{aligned} x \boxplus y &\stackrel{\text{def}}{=} \text{bin}_{128}(\text{int}(x) + \text{int}(y)) \\ x \boxminus y &\stackrel{\text{def}}{=} \text{bin}_{128}(\text{int}(x) - \text{int}(y)) \end{aligned}$$

[Ber05b] proves in Theorem 3.3 that this function is ϵ - Δ U; for any $g \in \{0, 1\}^{128}$ and any distinct messages M, M' where $|M|, |M'| \leq l$:

$$\Pr_{K \leftarrow \{0, 1\}^{128}} [\text{Poly1305}_K(M) \boxminus \text{Poly1305}_K(M') = g] \leq 2^{-103} \lceil l/128 \rceil$$

In that paper this function is used to build a MAC based on AES, while in RFC 7539 [NL15] it's used to build an AEAD mode based on ChaCha20. Since 22 bits of the 128-bit key are zeroed before use, every key is equivalent to $2^{22} - 1$ other keys and the effective keyspace is 2^{106} .

6.2 HPolyC hashing

HPolyC is the HBSH construction that the first revision of this paper presented, which used Poly1305 together with an injective encoding function. It is simple, fast, and key agile.

$$\mathcal{T} = \bigcup_{i=0}^{2^{32}-1} \{0, 1\}^i$$

$$H_{K_H}(T, L) = \text{Poly1305}_{K_H}(\text{pad}_{128}(\text{int}_{32}(|T|) \| T) \| L)$$

Thus if for all queries $|T| \leq l_T$ and $|L| \leq l_L$ then:

$$\epsilon = 2^{-103}(\lceil (32 + l_T)/128 \rceil + \lceil l_L/128 \rceil)$$

6.3 NH

We define a word size $w = 32$, a stride $s = 2$, a number of rounds $r = 4$ and an input size $u = 8192$ such that $2sw$ divides u .

NH [Bla+99; Kro00; Kro06] is then defined over message lengths divisible by $2sw = 128$ and takes a $u + 2sw(r - 1) = 8576$ -bit key, processing the message in u -bit chunks to produce an output of size $2rw \lceil |M|/u \rceil$; we call this ratio $u/2rw = 32$ the ‘‘compression ratio’’.

```

procedure NH( $K, M$ )
   $h \leftarrow \lambda$ 
  while  $M \neq \lambda$  do
     $l \leftarrow \min(|M|, u)$ 
    for  $i \leftarrow 0, 2sw, \dots, 2sw(r - 1)$  do
       $p \leftarrow 0$ 
      for  $j \leftarrow 0, 2sw, \dots, l - 2sw$  do
        for  $k \leftarrow 0, w, \dots, w(s - 1)$  do
           $a_0 \leftarrow \text{int}(K[i + j + k; w])$ 
           $a_1 \leftarrow \text{int}(K[i + j + k + sw; w])$ 
           $b_0 \leftarrow \text{int}(M[j + k; w])$ 
           $b_1 \leftarrow \text{int}(M[j + k + sw; w])$ 
           $p \leftarrow p + ((a_0 + b_0) \bmod 2^w)((a_1 + b_1) \bmod 2^w)$ 
        end for
      end for
       $h \leftarrow h \| \text{bin}_{2w}(p)$ 
    end for
     $M \leftarrow M[l; |M| - l]$ 
  end while
  return  $h$ 
end procedure

```

This is the largest w where common vector instruction sets (NEON on ARM; SSE2 and AVX2 on x86) natively support the needed $\{0, 1\}^w \times \{0, 1\}^w \rightarrow \{0, 1\}^{2w}$ multiply operation. The stride $s = 2$ improves vectorization on ARM32 NEON; larger strides were slower or no faster on every platform we tested on. We choose $r = 4$ since we want $\epsilon = 2^{-rw} \leq 2^{-103}$ to match HPolyC, and a large u for a high compression ratio which reduces the work for the next hashing stage.

NH’s speed comes with several inconvenient properties:

- [Kro00] shows that this function is ϵ -almost- Δ -universal, but this holds only over equal-length inputs
- $\epsilon = 2^{-rw}$, but the smallest nonempty output is $2rw$ bits, twice as large as necessary for this ϵ value
- The output size varies with the input size.

A second hashing stage is used to handle these issues.

6.4 Adiantum hashing

For Adiantum we use NH followed by Poly1305 to hash the message. Our theorems assume \mathcal{T} is finite, so we somewhat arbitrarily set $\mathcal{T} = \mathcal{L} = \bigcup_{i=0}^{l_S} \{0, 1\}^i$. To avoid encoding and padding issues, we hash the message length and tweak with a separate Poly1305 key. In all this takes a $128 + 128 + 8576 = 8832$ -bit key.

```

procedure H( $K_H, T, L$ )
   $K_T \leftarrow K_H[0; 128]$ 
   $K_L \leftarrow K_H[128; 128]$ 
   $K_N \leftarrow K_H[256; 8576]$ 
   $H_T \leftarrow \text{Poly1305}_{K_T}(\text{bin}_{128}(|L|) || T)$ 
   $H_L \leftarrow \text{Poly1305}_{K_L}(\text{NH}_{K_N}(\text{pad}_{128}(L)))$ 
  return  $H_T \boxplus H_L$ 
end procedure

```

For distinct pairs $(T, L) \neq (T', L')$, we have that if $|L| \neq |L'|$ or $T \neq T'$, then the $128 + |T|$ -bit input to Poly1305 with key K_T will differ. Otherwise $|L| = |L'|$ but $L \neq L'$; per [Kro00] the probability NH will compress these to the same value is at most 2^{-128} . If they do not collide, the $256 \lceil |L|/8192 \rceil$ -bit input to Poly1305 with key K_L will differ. Since the sum of two ϵ - Δ U functions with independent keys is also ϵ - Δ U, if for all queries $|T| \leq l_T$ and $|L| \leq l_L$ then this composition is ϵ - Δ U, with:

$$\begin{aligned} \epsilon &= 2^{-128} + 2^{-103} \lceil \max(128 + l_T, 256 \lceil l_L/8192 \rceil) / 128 \rceil \\ &= 2^{-128} + 2^{-103} \max(1 + \lceil l_T/128 \rceil, 2 \lceil l_L/8192 \rceil) \end{aligned}$$

6.5 Usage limits

If we limit our Adiantum adversary to at most q queries each of which uses a tweak of length at at most l_T and a plaintext/ciphertext of length at most l_M , then by Theorem 1 their distinguishing advantage is therefore at most:

$$\begin{aligned} &(3(2^{-128}) + 2^{-103} \max(1 + \lceil l_T/128 \rceil, 2 \lceil (l_M - 128)/8192 \rceil)) \binom{q}{2} \\ &+ \text{Adv}_{S_{K_S}}^{\text{sc}}(q + 1, 256 + 8832 + q(l_M - 128), t') \\ &+ \text{Adv}_{E_{K_E}}^{\pm\text{prp}}(q, t') \end{aligned}$$

Assuming that the block and stream ciphers are strong, the advantage is dominated by the term for internal collisions: $2^{-103} \max(1 + \lceil l_T/128 \rceil, 2 \lceil (l_M - 128)/8192 \rceil) \binom{q}{2}$. How many messages can be safely encrypted with the mode will therefore vary with message

and tweak length. For example, if Adiantum is used to encrypt 4KiB sectors with 32 byte tweaks, then Poly1305_{KL} processes 8 blocks, and the above is approximately $2^{-101}q^2$. With these message and tweak lengths we would recommend encrypting no more than 2^{55} bytes with a single key. Generating the ciphertext to mount such an attack could be very time-consuming, and this is work that can only be done on the device that has the key; extrapolating from performance figures in Section 4:

Bytes of ciphertext	Advantage	Time on device (single-threaded)
512GiB	2^{-47}	80 minutes
2^{55}	2^{-15}	11 years
2^{59}	0.8%	175 years

Acknowledgements

The authors would like to thank Yu Long Chen and our anonymous reviewers for helpful comments, and for encouraging us to use the H-coefficient technique, which has led to a much simpler proof.

References

- [AB96] Ross Anderson and Eli Biham. “Two practical and provably secure block ciphers: BEAR and LION”. In: *Fast Software Encryption: Third International Workshop, Cambridge, UK, February 21–23 1996 Proceedings*. Ed. by Dieter Gollmann. Berlin, Heidelberg: Springer Berlin Heidelberg, 1996, pp. 113–120. ISBN: 978-3-540-49652-6. DOI: [10.1007/3-540-60865-6_48](https://doi.org/10.1007/3-540-60865-6_48). URL: <https://www.cl.cam.ac.uk/~rja14/Papers/bear-lion.pdf>.
- [Arc18] Scott Arciszewski. *XChaCha: eXtended-nonce ChaCha and AEAD-XChaCha20-Poly1305*. Internet-Draft draft-arciszewski-xchacha-02. IETF Secretariat, 2018-10. URL: <http://www.ietf.org/internet-drafts/draft-arciszewski-xchacha-02.txt>.
- [Aum+08] Jean-Philippe Aumasson et al. “New Features of Latin Dances: Analysis of Salsa, ChaCha, and Rumba”. In: *Fast Software Encryption*. Ed. by Kaisa Nyberg. Berlin, Heidelberg: Springer Berlin Heidelberg, 2008, pp. 470–488. ISBN: 978-3-540-71039-4. DOI: [10.1007/978-3-540-71039-4_30](https://doi.org/10.1007/978-3-540-71039-4_30). URL: <https://eprint.iacr.org/2007/472>.
- [BD99] Daniel Bleichenbacher and Anand Desai. “A construction of a super-pseudorandom cipher”. Manuscript. 1999-02.
- [Bea+13] Ray Beaulieu et al. *The SIMON and SPECK Families of Lightweight Block Ciphers*. Cryptology ePrint Archive, Report 2013/404. 2013. URL: <https://ia.cr/2013/404>.
- [Bea+15] Ray Beaulieu et al. *SIMON and SPECK: Block Ciphers for the Internet of Things*. Cryptology ePrint Archive, Report 2015/585. 2015. URL: <https://ia.cr/2015/585>.
- [Bea+17] Ray Beaulieu et al. *Notes on the design and analysis of SIMON and SPECK*. Cryptology ePrint Archive, Report 2017/560. 2017. URL: <https://ia.cr/2017/560>.

- [Bel+97] Mihir Bellare et al. “A Concrete Security Treatment of Symmetric Encryption”. In: *38th Annual Symposium on Foundations of Computer Science, FOCS '97, Miami Beach, Florida, USA, October 19-22, 1997*. IEEE Computer Society, 1997, pp. 394–403. ISBN: 0-8186-8197-7. DOI: [10.1109/SFCS.1997.646128](https://doi.org/10.1109/SFCS.1997.646128). URL: <http://web.cs.ucdavis.edu/~rogaway/papers/sym-enc.pdf>.
- [Ber05a] Daniel J. Bernstein. *Cache-timing attacks on AES*. 2005. URL: <https://cr.yp.to/antiforgery/cachetiming-20050414.pdf> (visited on 2018-10-17).
- [Ber05b] Daniel J. Bernstein. “The Poly1305-AES message-authentication code”. In: *Fast Software Encryption: 12th International Workshop, FSE 2005, Paris, France, February 21–23, 2005, revised selected papers*. Ed. by Henri Gilbert and Helena Handschuh. Vol. 3557. Lecture Notes in Computer Science. Springer, 2005, pp. 32–49. ISBN: 3-540-26541-4. URL: <https://cr.yp.to/papers.html#poly1305>.
- [Ber06] Daniel J. Bernstein. *Salsa20/8 and Salsa20/12*. 2006. URL: <https://cr.yp.to/snuffle/812.pdf> (visited on 2018-05-21).
- [Ber08a] Daniel J. Bernstein. “ChaCha, a variant of Salsa20”. In: *State of the Art of Stream Ciphers Workshop, SASC 2008, Lausanne, Switzerland*. 2008-01. URL: <https://cr.yp.to/papers.html#chacha>.
- [Ber08b] Daniel J. Bernstein. “The Salsa20 Family of Stream Ciphers”. In: *New Stream Cipher Designs: The eSTREAM Finalists*. Ed. by Matthew Robshaw and Olivier Billet. Berlin, Heidelberg: Springer Berlin Heidelberg, 2008, pp. 84–97. ISBN: 978-3-540-68351-3. DOI: [10.1007/978-3-540-68351-3_8](https://doi.org/10.1007/978-3-540-68351-3_8). URL: <https://cr.yp.to/papers.html#salsafamily>.
- [Ber11] Daniel J. Bernstein. “Extending the Salsa20 nonce”. In: *Workshop Record of Symmetric Key Encryption Workshop 2011*. 2011. URL: <https://cr.yp.to/papers.html#xsalsa>.
- [BKR94] Mihir Bellare, Joe Kilian, and Phillip Rogaway. “The Security of Cipher Block Chaining”. In: *Advances in Cryptology — CRYPTO '94*. Ed. by Yvo G. Desmedt. Berlin, Heidelberg: Springer Berlin Heidelberg, 1994, pp. 341–358. ISBN: 978-3-540-48658-9. DOI: [10.1006/jcss.1999.1694](https://doi.org/10.1006/jcss.1999.1694). URL: <https://cseweb.ucsd.edu/~mihir/papers/cbc.pdf>.
- [BL18] Daniel J. Bernstein and Tanja Lange, eds. *eBACS: ECRYPT Benchmarking of Cryptographic Systems*. 2018. URL: <https://bench.cr.yp.to/> (visited on 2018-11-25).
- [Bla+99] John Black et al. “UMAC: Fast and Secure Message Authentication”. In: *Advances in Cryptology — CRYPTO' 99*. Ed. by Michael Wiener. Berlin, Heidelberg: Springer Berlin Heidelberg, 1999, pp. 216–233. ISBN: 978-3-540-48405-9. DOI: [10.1007/3-540-48405-1_14](https://doi.org/10.1007/3-540-48405-1_14). URL: https://fastcrypto.org/umac/umac_proc.pdf.
- [BR99] Mihir Bellare and Phillip Rogaway. “On the Construction of Variable-Input-Length Ciphers”. In: *Fast Software Encryption: 6th International Workshop, Rome, Italy, March 24–26, 1999 Proceedings*. Ed. by Lars Knudsen. Berlin, Heidelberg: Springer Berlin Heidelberg, 1999, pp. 231–244. ISBN: 978-3-540-48519-3. DOI: [10.1007/3-540-48519-8_17](https://doi.org/10.1007/3-540-48519-8_17). URL: <https://cseweb.ucsd.edu/~mihir/papers/lpe.pdf>.

- [BRS03] John Black, Phillip Rogaway, and Thomas Shrimpton. “Encryption-Scheme Security in the Presence of Key-Dependent Messages”. In: *Selected Areas in Cryptography*. Ed. by Kaisa Nyberg and Howard Heys. Berlin, Heidelberg: Springer Berlin Heidelberg, 2003, pp. 62–75. ISBN: 978-3-540-36492-4. DOI: [10.1007/3-540-36492-7_6](https://doi.org/10.1007/3-540-36492-7_6). URL: <https://cise.ufl.edu/~teshrim/kdm.pdf>.
- [Cha+17] Debrup Chakraborty et al. *FAST: Disk Encryption and Beyond*. Cryptology ePrint Archive, Report 2017/849. 2017. URL: <https://ia.cr/2017/849>.
- [CM16] Arka Rai Choudhuri and Subhamoy Maitra. *Differential Cryptanalysis of Salsa and ChaCha – An Evaluation with a Hybrid Model*. Cryptology ePrint Archive, Report 2016/377. 2016. URL: <https://ia.cr/2016/377>.
- [CM17] Arka Choudhuri and Subhamoy Maitra. “Significantly Improved Multi-bit Differentials for Reduced Round Salsa and ChaCha”. In: *IACR Transactions on Symmetric Cryptology* 2016.2 (2017-02), pp. 261–287. DOI: [10.13154/tosc.v2016.i2.261-287](https://doi.org/10.13154/tosc.v2016.i2.261-287). URL: <https://tosc.iacr.org/index.php/ToSC/article/view/574>.
- [CMS13] Debrup Chakraborty, Cuauhtemoc Mancillas-López, and Palash Sarkar. “STES: A Stream Cipher Based Low Cost Scheme for Securing Stored Data”. In: *IEEE Transactions on Computers* 64 (2013), pp. 2691–2707. DOI: [10.1109/TC.2014.2366739](https://doi.org/10.1109/TC.2014.2366739).
- [CN08] Debrup Chakraborty and Mridul Nandi. “An Improved Security Bound for HCTR”. In: *Fast Software Encryption*. Ed. by Kaisa Nyberg. Berlin, Heidelberg: Springer Berlin Heidelberg, 2008, pp. 289–302. ISBN: 978-3-540-71039-4. DOI: [10.1007/978-3-540-71039-4_18](https://doi.org/10.1007/978-3-540-71039-4_18). URL: <https://www.iacr.org/cryptodb/archive/2008/FSE/paper/15611.pdf>.
- [Cro01] Paul Crowley. “Mercy: A Fast Large Block Cipher for Disk Sector Encryption”. In: *Fast Software Encryption: 7th International Workshop, New York, NY, USA, April 10–12, 2000 Proceedings*. Ed. by Gerhard Goos et al. Berlin, Heidelberg: Springer Berlin Heidelberg, 2001, pp. 49–63. ISBN: 978-3-540-44706-1. DOI: [10.1007/3-540-44706-7_4](https://doi.org/10.1007/3-540-44706-7_4). URL: <http://www.ciphergoth.org/crypto/mercy/>.
- [Cro06] Paul Crowley. “Truncated differential cryptanalysis of five rounds of Salsa20”. In: *The State of the Art of Stream Ciphers*. ECRYPT Network of Excellence. 2006-02. URL: <https://ia.cr/2005/375>.
- [CS06] Debrup Chakraborty and Palash Sarkar. “A New Mode of Encryption Providing a Tweakable Strong Pseudo-random Permutation”. In: *Fast Software Encryption: 13th International Workshop, Graz, Austria, March 15–17, 2006, Revised Selected Papers*. Ed. by Matthew Robshaw. Berlin, Heidelberg: Springer Berlin Heidelberg, 2006, pp. 293–309. ISBN: 978-3-540-36598-3. DOI: [10.1007/11799313_19](https://doi.org/10.1007/11799313_19). URL: <https://ia.cr/2006/275>.
- [CS08] Debrup Chakraborty and Palash Sarkar. “HCH: A New Tweakable Enciphering Scheme Using the Hash-Counter-Hash Approach”. In: *IEEE Transactions on Information Theory* 54.4 (2008-04), pp. 1683–1699. ISSN: 0018-9448. DOI: [10.1109/TIT.2008.917623](https://doi.org/10.1109/TIT.2008.917623). URL: <https://ia.cr/2007/028>.

- [CS14] Shan Chen and John Steinberger. “Tight Security Bounds for Key-Alternating Ciphers”. In: *Advances in Cryptology – EUROCRYPT 2014*. Ed. by Phong Q. Nguyen and Elisabeth Oswald. Berlin, Heidelberg: Springer Berlin Heidelberg, 2014, pp. 327–350. ISBN: 978-3-642-55220-5. DOI: [10.1007/978-3-642-55220-5_19](https://doi.org/10.1007/978-3-642-55220-5_19). URL: <https://ia.cr/2013/222>.
- [Dae+00] Joan Daemen et al. *Nessie Proposal: the block cipher NOEKEON*. Nessie submission. 2000. URL: <http://gro.noekeon.org/>.
- [Den18] Frank Denis. *XChaCha20*. libsodium. 2018. URL: https://download.libsodium.org/doc/advanced/stream_ciphers/xchacha20 (visited on 2018-11-23).
- [DS17] Sabyasachi Dey and Santanu Sarkar. “Improved analysis for reduced round Salsa and ChaCha”. In: *Discrete Applied Mathematics* 227 (2017), pp. 58–69. ISSN: 0166-218X. DOI: [10.1016/j.dam.2017.04.034](https://doi.org/10.1016/j.dam.2017.04.034).
- [DS18] Kakumani K. C. Deepthi and Kunwar Singh. “Cryptanalysis of Salsa and ChaCha: Revisited”. In: *Mobile Networks and Management*. Ed. by Jiankun Hu et al. Cham: Springer International Publishing, 2018, pp. 324–338. ISBN: 978-3-319-90775-8. DOI: [10.1007/978-3-319-90775-8_26](https://doi.org/10.1007/978-3-319-90775-8_26).
- [Fis+06] Simon Fischer et al. “Non-randomness in eSTREAM Candidates Salsa20 and TSC-4”. In: *Progress in Cryptology - INDOCRYPT 2006*. Ed. by Rana Barua and Tanja Lange. Berlin, Heidelberg: Springer Berlin Heidelberg, 2006, pp. 2–16. ISBN: 978-3-540-49769-1. DOI: [10.1007/11941378_2](https://doi.org/10.1007/11941378_2). URL: <http://www.lix.polytechnique.fr/~biasse/papers/INDOCRYPT2006.pdf>.
- [Flu02] Scott R. Fluhrer. “Cryptanalysis of the Mercy Block Cipher”. In: *Proc. Fast Software Encryption 2001, LNCS 2355*. Springer-Verlag, 2002, pp. 28–36. URL: <https://citeseer.ist.psu.edu/viewdoc/summary?doi=10.1.1.5.6494>.
- [Hal05] Shai Halevi. “EME*: Extending EME to Handle Arbitrary-Length Messages with Associated Data”. In: *Progress in Cryptology - INDOCRYPT 2004: 5th International Conference on Cryptology in India, Chennai, India, December 20-22, 2004. Proceedings*. Ed. by Anne Canteaut and Kapaleeswaran Viswanathan. Berlin, Heidelberg: Springer Berlin Heidelberg, 2005, pp. 315–327. ISBN: 978-3-540-30556-9. DOI: [10.1007/978-3-540-30556-9_25](https://doi.org/10.1007/978-3-540-30556-9_25). URL: <https://ia.cr/2004/125>.
- [Hal07] Shai Halevi. “Invertible Universal Hashing and the TET Encryption Mode”. In: *Advances in Cryptology - CRYPTO 2007: 27th Annual International Cryptology Conference, Santa Barbara, CA, USA, August 19-23, 2007. Proceedings*. Ed. by Alfred Menezes. Berlin, Heidelberg: Springer Berlin Heidelberg, 2007, pp. 412–429. ISBN: 978-3-540-74143-5. DOI: [10.1007/978-3-540-74143-5_23](https://doi.org/10.1007/978-3-540-74143-5_23). URL: <https://ia.cr/2007/014>.
- [HR03] Shai Halevi and Phillip Rogaway. “A Tweakable Enciphering Mode”. In: *Advances in Cryptology - CRYPTO 2003: 23rd Annual International Cryptology Conference, Santa Barbara, California, USA, August 17-21, 2003. Proceedings*. Ed. by Dan Boneh. Berlin, Heidelberg: Springer Berlin Heidelberg, 2003, pp. 482–499. ISBN: 978-3-540-45146-4. DOI: [10.1007/978-3-540-45146-4_28](https://doi.org/10.1007/978-3-540-45146-4_28). URL: <https://ia.cr/2003/148>.
- [HR04] Shai Halevi and Phillip Rogaway. “A Parallelizable Enciphering Mode”. In: *Topics in Cryptology – CT-RSA 2004: The Cryptographers’ Track at the RSA Conference 2004, San Francisco, CA, USA, February 23-27, 2004, Proceedings*. Ed. by Tatsuaki Okamoto. Berlin, Heidelberg: Springer Berlin Heidelberg, 2004, pp. 292–304. ISBN: 978-3-540-24660-2. DOI: [10.1007/978-3-540-24660-2_23](https://doi.org/10.1007/978-3-540-24660-2_23). URL: <https://ia.cr/2003/147>.

- [IEE08] Institute of Electrical and Electronics Engineers. *ANSI/IEEE 1619-2007 - IEEE Standard for Cryptographic Protection of Data on Block-Oriented Storage Devices*. Tech. rep. 2008. URL: <https://standards.ieee.org/findstds/standard/1619-2007.html>.
- [IKM11] Tsukasa Ishiguro, Shinsaku Kiyomoto, and Yutaka Miyake. “Latin Dances Revisited: New Analytic Results of Salsa20 and ChaCha”. In: *Information and Communications Security*. Ed. by Sihan Qing et al. Berlin, Heidelberg: Springer Berlin Heidelberg, 2011, pp. 255–266. ISBN: 978-3-642-25243-3. DOI: [10.1007/978-3-642-25243-3_21](https://doi.org/10.1007/978-3-642-25243-3_21).
- [Ish12] Tsukasa Ishiguro. *Modified version of Latin Dances Revisited: New Analytic Results of Salsa20 and ChaCha*. Cryptology ePrint Archive, Report 2012/065. 2012. URL: <https://ia.cr/2012/065>.
- [Kro00] Theodore Dennis Krovetz. “Software-optimized Universal Hashing and Message Authentication”. PhD thesis. 2000. ISBN: 0-599-94329-7. URL: <https://fastcrypto.org/umac/>.
- [Kro06] Ted Krovetz. *UMAC: Message Authentication Code using Universal Hashing*. RFC 4418. RFC Editor, 2006-03. URL: <https://www.rfc-editor.org/rfc/rfc4418.txt>.
- [Kum18] Manish Kumar. “Security of XCB and HCTR”. MA thesis. Indian Statistical Institute, 2018-07. URL: <http://library.isical.ac.in:8080/jspui/bitstream/123456789/6953/1/Diss-387.pdf>.
- [LR88] Michael Luby and Charles Rackoff. “How to Construct Pseudorandom Permutations from Pseudorandom Functions”. In: *SIAM J. Comput.* 17.2 (1988-04), pp. 373–386. ISSN: 0097-5397. DOI: [10.1137/0217022](https://doi.org/10.1137/0217022). URL: <https://github.com/emintham/Papers/blob/master/Luby%20Rackoff-%20How%20to%20Construct%20Pseudorandom%20Permutations%20from%20Pseudorandom%20Functions.pdf>.
- [LRW02] Moses Liskov, Ronald L. Rivest, and David Wagner. “Tweakable Block Ciphers”. In: *Advances in Cryptology—CRYPTO 2002: 22nd Annual International Cryptology Conference Santa Barbara, California, USA, August 18–22, 2002 Proceedings*. Ed. by Moti Yung. Berlin, Heidelberg: Springer Berlin Heidelberg, 2002, pp. 31–46. ISBN: 978-3-540-45708-4. DOI: [10.1007/3-540-45708-9_3](https://doi.org/10.1007/3-540-45708-9_3). URL: <https://people.csail.mit.edu/rivest/pubs/LRW02.pdf>.
- [Luc96a] Stefan Lucks. “BEAST: A fast block cipher for arbitrary block sizes”. In: *Communications and Multimedia Security II: Proceedings of the IFIP TC6/TC11 International Conference on Communications and Multimedia Security at Essen, Germany, 23rd–24th September 1996*. Ed. by Patrick Horster. Boston, MA: Springer US, 1996, pp. 144–153. ISBN: 978-0-387-35083-7. DOI: [10.1007/978-0-387-35083-7_13](https://doi.org/10.1007/978-0-387-35083-7_13). URL: <https://pdfs.semanticscholar.org/18fd/ac6eddb22687450c22e1135dc2d9c38c40d1.pdf>.
- [Luc96b] Stefan Lucks. “Faster Luby-Rackoff ciphers”. In: *Fast Software Encryption*. Ed. by Dieter Gollmann. Berlin, Heidelberg: Springer Berlin Heidelberg, 1996, pp. 189–203. ISBN: 978-3-540-49652-6. DOI: [10.1007/3-540-60865-6_53](https://doi.org/10.1007/3-540-60865-6_53). URL: <https://citeseerx.ist.psu.edu/viewdoc/summary?doi=10.1.1.35.7485>.

- [LWR00] Helger Lipmaa, David Wagner, and Phillip Rogaway. *Comments to NIST concerning AES modes of operation: CTR-mode encryption*. 2000. URL: <https://citeseerx.ist.psu.edu/viewdoc/summary?doi=10.1.1.79.1353>.
- [Mai16] Subhamoy Maitra. “Chosen IV cryptanalysis on reduced round ChaCha and Salsa”. In: *Discrete Applied Mathematics* 208 (2016), pp. 88–97. ISSN: 0166-218X. DOI: [10.1016/j.dam.2016.02.020](https://doi.org/10.1016/j.dam.2016.02.020). URL: <http://citeseerx.ist.psu.edu/viewdoc/summary?doi=10.1.1.732.5014>.
- [Mau93] Ueli M. Maurer. “A Simplified and Generalized Treatment of Luby-Rackoff Pseudorandom Permutation Generators”. In: *Proceedings of the 11th Annual International Conference on Theory and Application of Cryptographic Techniques*. EUROCRYPT’92. Balatonfüred, Hungary: Springer-Verlag, 1993, pp. 239–255. ISBN: 3-540-56413-6. URL: <https://citeseerx.ist.psu.edu/viewdoc/summary?doi=10.1.1.53.6117>.
- [MF07] David A. McGrew and Scott R. Fluhrer. “The Security of the Extended Codebook (XCB) Mode of Operation”. In: *Selected Areas in Cryptography: 14th International Workshop, SAC 2007, Ottawa, Canada, August 16-17, 2007, Revised Selected Papers*. Ed. by Carlisle Adams, Ali Miri, and Michael Wiener. Berlin, Heidelberg: Springer Berlin Heidelberg, 2007, pp. 311–327. ISBN: 978-3-540-77360-3. DOI: [10.1007/978-3-540-77360-3_20](https://doi.org/10.1007/978-3-540-77360-3_20). URL: <https://ia.cr/2007/298>.
- [MM07] Kazuhiko Minematsu and Toshiyasu Matsushima. “Tweakable Enciphering Schemes from Hash-Sum-Expansion”. In: *Progress in Cryptology – INDOCRYPT 2007*. Ed. by K. Srinathan, C. Pandu Rangan, and Moti Yung. Berlin, Heidelberg: Springer Berlin Heidelberg, 2007, pp. 252–267. ISBN: 978-3-540-77026-8. DOI: [10.1007/978-3-540-77026-8_19](https://doi.org/10.1007/978-3-540-77026-8_19).
- [MPM15] Subhamoy Maitra, Goutam Paul, and Willi Meier. *Salsa20 Cryptanalysis: New Moves and Revisiting Old Styles*. Cryptology ePrint Archive, Report 2015/217. 2015. URL: <https://ia.cr/2015/217>.
- [Nan08] Mridul Nandi. *Improving upon HCTR and matching attacks for Hash-Counter-Hash approach*. Cryptology ePrint Archive, Report 2008/090. 2008. URL: <https://ia.cr/2008/090>.
- [NIS01] National Institute of Standards and Technology. *Advanced Encryption Standard (AES)*. FIPS Publication 197, 2001-11. URL: <https://csrc.nist.gov/csrc/media/publications/fips/197/final/documents/fips-197.pdf>.
- [NL15] Yoav Nir and Adam Langley. *ChaCha20 and Poly1305 for IETF Protocols*. RFC 7539. RFC Editor, 2015-05. URL: <https://www.rfc-editor.org/rfc/rfc7539.txt>.
- [NR99] Moni Naor and Omer Reingold. “On the Construction of Pseudorandom Permutations: Luby–Rackoff Revisited”. In: *Journal of Cryptology* 12.1 (1999-01), pp. 29–66. ISSN: 1432-1378. DOI: [10.1007/PL00003817](https://doi.org/10.1007/PL00003817). URL: <https://omereingold.files.wordpress.com/2014/10/lr.pdf>.
- [NW97] Roger M. Needham and David J. Wheeler. *Tea extensions*. 1997. URL: <http://www.cix.co.uk/~klockstone/xtea.pdf>.

- [Pat09] Jacques Patarin. “The “Coefficients H” Technique”. In: *Selected Areas in Cryptography*. Ed. by Roberto Maria Avanzi, Liam Keliher, and Francesco Sica. Berlin, Heidelberg: Springer Berlin Heidelberg, 2009, pp. 328–345. ISBN: 978-3-642-04159-4. DOI: [10.1007/978-3-642-04159-4_21](https://doi.org/10.1007/978-3-642-04159-4_21). URL: <http://citeseerx.ist.psu.edu/viewdoc/summary?doi=10.1.1.702.3488>.
- [Pat91] Jacques Patarin. “Pseudorandom permutations based on the D.E.S. scheme”. In: *EUROCODE '90*. Ed. by Gérard Cohen and Pascale Charpin. Berlin, Heidelberg: Springer Berlin Heidelberg, 1991, pp. 193–204. ISBN: 978-3-540-47546-0. DOI: [10.1007/3-540-54303-1_131](https://doi.org/10.1007/3-540-54303-1_131).
- [Sar07] Palash Sarkar. “Improving Upon the TET Mode of Operation”. In: *Information Security and Cryptology—ICISC 2007: 10th International Conference, Seoul, Korea, November 29–30, 2007. Proceedings*. Ed. by Kil-Hyun Nam and Gwangsoo Rhee. Berlin, Heidelberg: Springer Berlin Heidelberg, 2007, pp. 180–192. ISBN: 978-3-540-76788-6. DOI: [10.1007/978-3-540-76788-6_15](https://doi.org/10.1007/978-3-540-76788-6_15). URL: <https://ia.cr/2007/317>.
- [Sar09] Palash Sarkar. *Tweakable Enciphering Schemes From Stream Ciphers With IV*. Cryptology ePrint Archive, Report 2009/321. 2009. URL: <https://ia.cr/2009/321>.
- [Sar11] Palash Sarkar. “Tweakable enciphering schemes using only the encryption function of a block cipher”. In: *Information Processing Letters* 111.19 (2011), pp. 945–955. ISSN: 0020-0190. DOI: [10.1016/j.ipl.2011.06.014](https://doi.org/10.1016/j.ipl.2011.06.014). URL: <https://ia.cr/2009/216>.
- [Sch98] Rich Schroepfel. *Hasty Pudding Cipher Specification*. 1998. URL: <http://richard.schroepfel.name/hpc/hpc-spec> (visited on 2018-05-21).
- [Shi+13] Zhenqing Shi et al. “Improved Key Recovery Attacks on Reduced-Round Salsa20 and ChaCha”. In: *Information Security and Cryptology – ICISC 2012*. Ed. by Taekyoung Kwon, Mun-Kyu Lee, and Daesung Kwon. Berlin, Heidelberg: Springer Berlin Heidelberg, 2013, pp. 337–351. ISBN: 978-3-642-37682-5. DOI: [10.1007/978-3-642-37682-5_24](https://doi.org/10.1007/978-3-642-37682-5_24).
- [Sti95] Douglas R. Stinson. “On the Connections Between Universal Hashing, Combinatorial Designs and Error-Correcting Codes”. In: *Electronic Colloquium on Computational Complexity (ECCC)* 2.52 (1995). URL: <http://eccc.hpi-web.de/eccc-reports/1995/TR95-052/index.html>.
- [Tou19] Charlotte de la Tour. *Le langage des fleurs*. Garnier Frères, 1819.
- [Tsu+07] Yukiyasu Tsunoo et al. “Truncated differential cryptanalysis of five rounds of Salsa20”. In: *The State of the Art of Stream Ciphers*. ECRYPT Network of Excellence. 2007-02. URL: <http://www.ecrypt.eu.org/stream/papersdir/2007/010.pdf>.
- [Vai18] Loup Vaillant. *monocypher.c*. 2018. URL: <https://github.com/LoupVaillant/Monocypher/blob/2174e60e/src/monocypher.c> (visited on 2018-11-23).
- [WFW05] Peng Wang, Dengguo Feng, and Wenling Wu. “HCTR: A Variable-Input-Length Enciphering Mode”. In: *Information Security and Cryptology: First SKLOIS Conference, CISC 2005, Beijing, China, December 15-17, 2005. Proceedings*. Ed. by Dengguo Feng, Dongdai Lin, and Moti Yung. Berlin, Heidelberg: Springer Berlin Heidelberg, 2005, pp. 175–188. ISBN: 978-3-540-32424-9. DOI: [10.1007/11599548_15](https://doi.org/10.1007/11599548_15). URL: <https://citeseerx.ist.psu.edu/viewdoc/summary?doi=10.1.1.470.5288>.

A Implementation and test vectors

Implementations in Python, C, and ARMv7 assembly, as well as thousands of test vectors and the \LaTeX source for this paper, are available from our source code repository at <https://github.com/google/adiantum>.