

# NexMon: A Cookbook for Firmware Modifications on Smartphones to Enable Monitor Mode

Matthias Schulz, Daniel Wegemer and Matthias Hollick  
Secure Mobile Networking Lab, TU Darmstadt, Germany  
Email: {mschulz, dwegemer, mhollick}@seemoo.tu-darmstadt.de

**Abstract**—Full control over a Wi-Fi chip for research purposes is often limited by its firmware, which makes it hard to evolve communication protocols and test schemes in practical environments. Monitor mode, which allows eavesdropping on all frames on a wireless communication channel, is a first step to lower this barrier. Use cases include, but are not limited to, network packet analyses, security research and testing of new medium access control layer protocols. Monitor mode is generally offered by SoftMAC drivers that implement the media access control sublayer management entity (MLME) in the driver rather than in the Wi-Fi chip. On smartphones, however, mostly FullMAC chips are used to reduce power consumption, as MLME tasks do not need to wake up the main processor. Even though, monitor mode is also possible in FullMAC scenarios, it is generally not implemented in today's Wi-Fi firmwares used in smartphones. This work focuses on bringing monitor mode to Nexus 5 smartphones to enhance the interoperability between applications that require monitor mode and BCM4339 Wi-Fi chips. The implementation is based on our new C-based programming framework to extend existing Wi-Fi firmwares.

## I. INTRODUCTION

The use cases for open Wi-Fi firmwares or simply some firmware extensions like monitor mode on a smartphone are numerous. Besides security research, it also includes the implementation and testing of new medium access control (MAC) layer protocols. Currently, either SoftMAC drivers are required, that give access to the media access control sublayer management entity (MLME) or solutions such as the Wireless MAC processor [5] that even allow to modify the real time behaviour of a Wi-Fi chip. More flexibility is given by connecting software-defined radios (SDRs) to a smartphones to even give access to the 802.11 physical layer. Schulz et al. use this setup in [3] to enhance wireless video transmissions by assigning physical modulation schemes to different quality layers in a scalable video coding (SVC) scenario. Nevertheless, SDR-based solutions are unlikely to be seen in mobile consumer devices in the near future, as the energy consumption of field-programmable gate arrays (FPGAs) used in SDRs is much higher than an energy-efficient single purpose implementation.

Hence, in this work, we focus on extending the firmware of Wi-Fi chips used in widely available consumer devices. Similar work to introduce monitor mode or even frame injection has already been done for older chip generations in the bcomon [2] (BCM4329 and BCM4330), as well as the monmob [1] (BCM4325 and BCM4329) projects. In this work, we focus on BCM4339 chips used, for example, in the Nexus 5 smartphone. The contributions of our work are as follows:

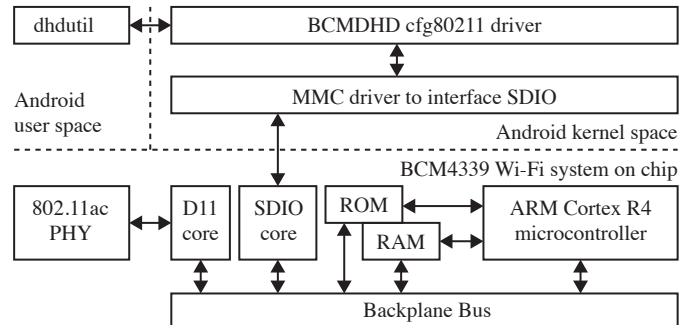


Fig. 1. The BCM4339 system on chip is interfaced by the BCMDHD driver through SDIO. The driver itself can be controlled using the dhduutil.

- Reverse engineering of the BCM4339 chip and its firmware.
- Design and implementation of a C-based firmware extension framework, usable on firmwares for ARM processors.
- Firmware modification to support monitor mode on BCM4339 chips.

This work is structured as follows, in Section II, we describe the reverse engineering process. In Section III, we describe our C-based framework for firmware modifications. In Section IV, we describe how frame reception is handled in the chip. In Section V, we document our monitor mode implementation. In Section VI, we explain how you use our project on your phone. In Section VII, we list bugs and future work and conclude with Section VIII. The source code of our implementation can be downloaded from [4].

## II. REVERSE ENGINEERING

Before extending the existing Wi-Fi firmware, we had to analyze how the original firmware works internally and how the system on chip in the Wi-Fi chip looks like. We performed the analysis analogous to [1] and [2]. In Figure 1, we illustrate the parts of the system on chip relevant for this work. Our analysis is based on firmware version 6.37.32.RC23.34.40 (r581243) being delivered with Android 6.0 build MRA58K and Android 6.0.1 build MMB29K for Nexus 5 smartphones.

### A. Explaining the system on chip

On the Android side, the main component is the BCMDHD FullMAC driver that interfaces the BCM4339 system on chip

through the secure digital input output (SDIO) interface. In general, it exchanges Ethernet frames with the Wi-Fi chip, and the ARM microcontroller in the BCM4339 handles the re-framing into Wi-Fi frames as well as the management of access point or device-to-device connections. The real-time parts, like transmitting acknowledgement frames after a fixed delay, are handled by the D11 core, that interfaces the 802.11ac physical layer. Data between the different cores is exchanged over the backplane bus. One can either write into registers or shared memory areas of the connected cores or use direct memory access (DMA) controllers to exchange chunks of data without involving the microcontroller. The SDIO core has a DMA controller that is generally configured to exchange SDIO frames between RAM and the SDIO controller. Whenever a new frame is copied to RAM, the DMA controller triggers the *external* interrupt at the microcontroller, which then handles the received frame. The microcontroller can also trigger the SDIO DMA to copy SDIO frames from RAM to the SDIO core for transmission to the BCMDHD driver. The D11 core operates similarly: it has four first in first out (FIFO) queues that can be accessed by DMA controllers to exchange Wi-Fi frames. One FIFO is used for received and transmitted frames and three additional FIFOs are used for the transmission of frames at different quality levels (RX data and background data packets<sup>1</sup>, best-effort data packets<sup>2</sup>, video data packets<sup>3</sup> and voice data and transmit-status packets<sup>4</sup>).

### B. The D11 core

The D11 core consists of a programmable state machine (PSM) that is optimized for real-time processing and can quickly change its program flow after checking conditions in registers. This core is the first stage to decide, which frames should be received or dropped. To allow monitor mode, the `maccontrol`<sup>5</sup> register needs to be set to activate promiscuous mode<sup>6</sup>. The activation can be performed by the microcontroller by calling the `wlc_bmac_mctrl`<sup>7</sup> function. How, we identified such a function in the existing firmware is described in the following.

### C. The microcontroller firmware analysis

The microcontroller is used to act as an interface between the different cores in the system on chip and the BCMDHD driver in the Linux kernel. It implements a SoftMAC driver similar to `brcmsmac` which is part of Broadcom's `brcm80211`<sup>8</sup> driver. Our code references in the footnotes, hence, often refer to this driver source code. Besides the SoftMAC implementation, the microcontroller's firmware also performs re-framing, as well as additional tasks to unburden the main smartphone processor and enhance energy efficiency. To implement monitor mode, we intend to bypass these additional features, but first we need to start analysing the firmware itself.

<sup>1</sup>`brcmsmac` source file: `wlc_bmac.c`, kernel version: 2.6.39, line: 545

<sup>2</sup>`brcmsmac` source file: `wlc_bmac.c`, kernel version: 2.6.39, line: 560

<sup>3</sup>`brcmsmac` source file: `wlc_bmac.c`, kernel version: 2.6.39, line: 574

<sup>4</sup>`brcmsmac` source file: `wlc_bmac.c`, kernel version: 2.6.39, line: 585

<sup>5</sup>`brcmsmac` source file: `d11.h`, kernel version: 2.6.39, line: 134

<sup>6</sup>`brcmsmac` source file: `d11.h`, kernel version: 2.6.39, line: 466

<sup>7</sup>`brcmsmac` source file: `wlc_bmac.c`, kernel version: 2.6.39, line: 1483

<sup>8</sup><http://lxr.free-electrons.com/source/drivers/staging/brcm80211/?v=2.6.39>

As illustrated in Figure 1 and described in [2] and [1], the firmware consists of a part that resides in ROM (size: 640 KB, starting at 0x0) and another one that is loaded by the BCMDHD driver into RAM (size: 768 KB, starting at 0x180000). The firmware file for the RAM is found as a binary file on the smartphone. The firmware that resides in ROM can simply be extracted using the `dhdutil`<sup>9</sup> that is distributed as part of the Android platform and allows to send specific `ioctl`s to the BCMDHD driver in case the driver was compiled with active `DHD_DEBUG` flag. Using the `membytes` command, one can read at arbitrary memory locations in ROM and RAM and dump the output to a binary file.

To analyse the extracted firmware, we load it into the Interactive Disassembler (IDA) and use Hex-Rays Decompiler for ARM to be able to convert assembler code into more readable C-like code which we can compare to the `brcmsmac`'s source code to find similarities. To identify functions, we first go through the list of detected strings and can identify function names from the `brcmsmac` driver. Cross referencing code that uses these strings leads to constructions that look like `printf` function calls resulting in an output in the console that can be read using `dhdutil`'s `consoledump` command. The `printf` calls look as follows:

```
printf("%s: some error...", __FUNCTION__);
```

First the name of the surrounding function is printed then an error message. Analysing all function name strings, we are able to name many functions. To name even more functions, we look for functions in the `brcmsmac` source code that call already named functions or that are called by already named functions. To better understand the code, it is very helpful to classify variable types and create structs in IDA. This made us discover the `wlc->pub->_cnt` struct that contains counters for various statistics, which help up to classify the surrounding code. Before continuing to describe how we found the path from an interrupt triggering a new frame reception and the transmission to the BCMDHD driver, we introduce our framework that allows to write firmware patches in C instead of Assembler.

## III. C-BASED FIRMWARE MODIFICATION FRAMEWORK

After creating the first patches for the firmware to output debug information and to get a first monitor mode prototype running in Assembler, we decided that programming in C is less error prone, hence, we developed a C-based programming framework. We intended to generate functions that can replace already existing functions in the firmware or that can be called before calling an existing function by redirecting branch instructions to our own functions. Additionally, we wanted to directly call existing functions in the firmware.

In our implementation, we define external function prototypes of firmware functions we like to call and use a linker to insert correct branch instructions and place global variables in memory. Unfortunately, the simple definition of symbols with addresses of functions in memory leads to the creation of trampoline stubs to switch from Thumb to ARM instruction set, even though the existing firmware code needs to be executed in Thumb mode. To work around this problem, we

<sup>9</sup><https://android.googlesource.com/platform/hardware/broadcom/wlan/+master/bcmdhd/dhdutil/>

created an object file with dummy functions for all firmware functions, we wanted to call. Each of those functions is placed in a separate section and—using the linker—can be placed at the appropriate position where the code resides in the firmware.

Using this approach, the generated machine code is position dependent and uses branch with link instructions relative to the current program counter. This allows small binaries and calls to functions like `printf`, which can take an arbitrary number of parameters.

The hello world program in Listing 1 serves as an example. It is implemented as a hook to the `dma_rx`<sup>10</sup> function and prints “hello world” to the console, which can be read using `dhdutil`’s `consoledump` command. The resulting assembler code after disassembling in IDA is illustrated in Listing 2. Using our framework, we can rewrite any firmware function we like, which we do to activate monitor more. Before that, we first need to understand which functions are called when receiving a frame.

#### IV. FRAME RECEPTION

In this section, we describe how a Wi-Fi frame reception is handled by the microcontroller. As mentioned above, the DMA controller of the D11 core transfers received frames into RAM and then triggers the *external* interrupt of the microcontroller. The microcontroller handles this interrupt by settings its program counter to execute the fast interrupt (FIQ) instruction in the exception vector that is located at address 0x0 in the ROM. In the BCM4339 ROM this instruction is a branch to an exception handler located in RAM at 0x180fee, which branches to a common exception handler at 0x181032, which calls the callback function referenced at 0x181100, which points to 0x181e48. In case of a fast interrupt it calls the function at 0x181a88, which calls each function of a linked list of functions. The reference to the list is placed at 0x180e5c. The first function pointer in this list is a path to `wlc_dpc`<sup>11</sup> (0x27550 ⇒ 0x2733c ⇒ 0x61eb4), which checks if new frame receptions from the D11 core need to be handled using the `wlc_bmac_recv`<sup>12</sup> function (0x1aad98), which is called through its wrapper at 0x4f7a4.

The `wlc_bmac_recv` function is mentioned in the `bcmon` project as a good starting point to implement monitor mode.

<sup>10</sup>util source file: `hnddma.c`, kernel version: 2.6.39, line: 732

<sup>11</sup>`brcmsmac` source file: `wlc_bmac.c`, kernel version: 2.6.39, line: 313

<sup>12</sup>`brcmsmac` source file: `wlc_bmac.c`, kernel version: 2.6.39, line: 257

Listing 1. Hello world program hooking to the `dma_rx` function.

```
#include "wrapper.h"

struct sk_buff *dma_rx_hook(struct dma_info *di) {
    printf("hello world");
    return dma_rx(di);
}
```

It consists of three parts. At the beginning it calls the `dma_rx`<sup>13</sup> function in a loop to collect pointers to the received frames in a list of linked `sk_buffs`. Then it calls `dma_rxfill`<sup>14</sup> to allocate new receive buffers and post them to the DMA ring buffer so that they can be filled with new frames. In the last part, `wlc_bmac_recv` handles the frames stored in the previously created linked list. The main frame processing starts in the `wlc_recv`<sup>15</sup> function at 0x19afe8. The processing result is a call to `dngl_sendpkt` (named according to the `bcmon` project presentation) following for example the path 0x19955f ⇒ 0x198cdd ⇒ 0x1981f5 ⇒ 0x1893b5 ⇒ 0x183771 ⇒ 0x182C84 ⇒ 0x182750. This function takes an `sk_buff` and an SDIO channel number, prepends the buffer’s data payload with an SDIO frame header and passes the buffer on to a `dma_txfast`<sup>16</sup> call (0x18256c ⇒ 0x182450 ⇒ 0x1844b2) that uses the SDIO’s DMA to transfer the frame to the `BCMDHD` driver. How this processing pass can be bended to bypass the frame processing and directly pass raw frames to the `BCMDHD` driver is explained in the next section.

#### V. MONITOR MODE

Our approach to enable monitor mode is twofold. First, we replace the `wlc_bmac_recv` function to bypass frame processing and directly forward the received raw frames to the `BCMDHD` driver. Second, we correctly set the `maccontrol` register during the initialization of the interface to work in promiscuous mode.

##### A. Rewriting the `wlc_bmac_recv` function

Our rewritten `wlc_bmac_recv` function from Listing 2 can be compiled with our C-based framework to get a replacement for the existing `wlc_bmac_recv` function in the firmware.

<sup>13</sup>util source file: `hnddma.c`, kernel version: 2.6.39, line: 732

<sup>14</sup>util source file: `hnddma.c`, kernel version: 2.6.39, line: 809

<sup>15</sup>`brcmsmac` source file: `wlc_bmac.c`, kernel version: 2.6.39, line: 6993

<sup>16</sup>util source file: `hnddma.c`, kernel version: 2.6.39, line: 1426

Listing 2. Disassembly of the `dma_rx` hooking hello world program. The binary was created using our C-based programming framework.

```
ROM:00180000      PUSH          {R4,LR}
ROM:00180002      MOVS         R4, R0
ROM:00180004      LDR         R0, =aHelloWorld ; "hello world"
ROM:00180006      BL         0x126F0 ; printf
ROM:0018000A      MOVS         R0, R4
ROM:0018000C      BL         0x8C69C ; dma_rx
ROM:00180010      POP         {R4,PC}
ROM:00180010 ; -----
ROM:00180012      ALIGN      4
ROM:00180014 off_180014  DCD aHelloWorld ; DATA XREF: ROM:00180004r
ROM:00180014 ; "hello world"
ROM:00180018 aHelloWorld  DCB "hello world",0 ; DATA XREF: ROM:00180004o
ROM:00180018 ; ROM:off_180014o
```

Compared to the `wlc_bmac_rcv` function of the `brcm-smac` source code, our function has an additional parameter `cnt` that saves the number of loop iterations with calls to `dma_rx`. Instead of first calling `dma_rx` in a loop to build a linked list of `sk_buffs`, we decided to fetch frames from the D11 DMA and directly transmit them over the SDIO interface using the `dngl_sendpkt` function. The constant `SDIO_INFO_ADDR` is the address of a struct that holds information on the SDIO core. To avoid stalling the interrupt handling for too long, if many Wi-Fi frames are received, we limit the number of processed frames to `bound_limit` and return whether we stayed below that limit.

### B. Setting the correct maccontrol registers

As mentioned above, the maccontrol registers in the D11 core need to be set appropriately to receive all frames. The `monmob` developers already identified the `wlc_bmac_mctrl`<sup>17</sup> (0x4f080) function to perform this task. To activate the reception of all frames at the initialization of the wireless interface, we set the registers in the `wlc_coreinit`<sup>18</sup> (0x1ab66c) function, which calls `wlc_bmac_mctrl` with the parameters `mask` at 0x1ab82c and `value` at 0x1ab828. We extend `mask` and `value` with the appropriate bits that are also set by `bcmon`. Somehow, the original firmware resets those bits during operation, hence, we set them again during each execution of the `wlc_bmac_rcv` function (see Listing 2).

## VI. TRY IT YOURSELF

To let you try our monitor mode implementation on your Nexus 5 smartphone, we provide a `boot.img` that contains a custom kernel based on the `android-msm-hammerhead-3.4-marshmallow-mr1`<sup>19</sup> branch with modules enabled and the `BCMDHD` driver compiled as a module. Our driver modification is based on the `bcmon` project. The module is located in `/nexmon/bcmdhd.ko` and can be loaded with `insmod` and unloaded with `rmmmod`. It is not automatically loaded during startup. Additionally, we disabled the `wpa_supplicant` and `p2p_supplicant` services in the `init.hammerhead.rc` file, hence, regular Wi-Fi does not work with our provided `boot.img`. The monitor interface is broad up by executing `ifconfig wlan0 up`. The received frames contain a radiotap header that can be processed by programs that rely on monitor mode enabled interfaces. To test the monitor capabilities and change channels, we included pre-compiled binaries of `iwconfig` and `tcpdump` under `/nexmon/bin/`. The result of running another tool called `airodump-ng` on the phone is shown in Figure 2.

*Be advised that using our boot.img may damage your phone and may void your phone's warranty! You use our tools at your own risk and responsibility!* To run the `boot.img` on your own Nexus 5, you should have Android 6.0.1 build `MMB29K` installed and an unlocked bootloader. *Be aware that unlocking the bootloader generally wipes your phone!* To play with monitor mode we advise you to boot our image instead of flashing it, as it disables regular Wi-Fi capabilities. Simply execute `adb reboot bootloader && fastboot boot boot.img` or run `make boot`, in case you cloned our git

Listing 2. Rewritten `wlc_bmac_rcv` function to directly send raw Wi-Fi frames to the `BCMDHD` driver.

```
#include "bcm4339.h"
#include "wrapper.h"

int wlc_bmac_rcv(struct wlc_hw_info *wlc_hw,
    unsigned int fifo, int bound, int *cnt) {
    void *p;
    int n = 0;
    int bound_limit = wlc_hw->wlc->pub->tunables->
        rxwnd;

    do {
        if((p = dma_rx(wlc_hw->di[fifo]))) {
            dngl_sendpkt(SDIO_INFO_ADDR, p, 0xF);
        }
        n++;
    } while(n < bound_limit);
    *cnt += n;

    dma_rxfill(wlc_hw->di[fifo]);

    wlc_bmac_mctrl(wlc_hw, (MCTL_PROMISC |
        MCTL_KEEPCONTROL | MCTL_BCNS_PROMISC |
        MCTL_KEEPCONTROL | MCTL_BCNS_PROMISC |
        MCTL_KEEPCONTROL | MCTL_BCNS_PROMISC |
        MCTL_KEEPCONTROL));

    if(n < bound_limit) {
        return 0;
    } else {
        return 1;
    }
}
```

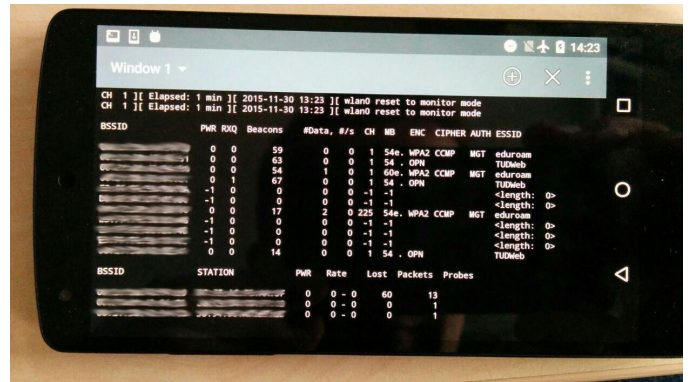


Fig. 2. Running `airodump-ng` on the Nexus 5 in monitor mode.

repository. If you intend to modify the firmware on your own, you can compile everything from source using the `Makefile` in our git repository [4].

## VII. KNOWN BUGS AND FUTURE WORK

Currently not all received frames contain valid Wi-Fi frames and the radiotap headers are set to default values. Additionally, the Wi-Fi firmware crashes under unknown circumstances, which requires a chip reset by running `ifconfig wlan0 down && ifconfig wlan0 up`. In future releases we intend to fix those bugs and implement frame injection to be able to transmit arbitrary Wi-Fi frames.

<sup>17</sup>`brcm-smac` source file: `wlc_bmac.c`, kernel version: 2.6.39, line: 1483

<sup>18</sup>`brcm-smac` source file: `wlc_bmac.c`, kernel version: 2.6.39, line: 2300

<sup>19</sup><https://android.googlesource.com/kernel/msm/+android-msm-hammerhead-3.4-marshmallow-mr1>

## VIII. CONCLUSION

This work describes how to analyse and successfully extend Wi-Fi firmwares to enable monitor mode on a BCM4339 FullMAC Wi-Fi chip. To simplify firmware modifications, we present a C-based firmware extension framework and use it in our implementation. The functionality of our approach is demonstrated by running airodump-ng on a Nexus 5 smartphone.

## ACKNOWLEDGMENT

This work has been funded by the German Research Foundation (DFG) in the Collaborative Research Center (SFB) 1053 “MAKI – Multi-Mechanism-Adaptation for the Future Internet” and by LOEWE CASED, which provided the IDA Pro and HexRays Decompiler licenses. Many thanks go to Andrés Blanco who supported us in our reverse engineering phase.

## REFERENCES

- [1] A. Blanco and M. Eissler. (2012) One firmware to monitor 'em all. [Online]. Available: <http://www.coresecurity.com/corelabs-research/publications/one-firmware-monitor-em-all-hacklu2012>
- [2] O. Ildis, Y. Ofir, and R. Feinstein. (2013) Wardriving from your pocket – Using wireshark to reverse engineer broadcom wifi chipsets. [Online]. Available: <http://bcmon.blogspot.de/>
- [3] M. Schulz, D. Stohr, S. Wilk, B. Rudolph, W. Effelsberg, and M. Hollick, “APP and PHY in harmony: A framework enabling flexible physical layer processing to address application requirements,” in *International Conference on Networked Systems, NetSys 2015*, 2015.
- [4] M. Schulz, D. Wegemer, and M. Hollick. (2015) NexMon project: The Wi-Fi firmware modification framework. [Online]. Available: <https://seemoo.tu-darmstadt.de/nexmon>
- [5] I. Tinnirello, G. Bianchi, P. Gallo, D. Garlisi, F. Giuliano, and F. Gringoli, “Wireless MAC processors: Programming MAC protocols on commodity hardware,” in *Proc. of the 31st Annual IEEE International Conference on Computer Communications (INFOCOM)*, 2012.