

(b)(3)

UNCLASSIFIED//~~FOUO~~



**(U) Intelligence Community
Authorized Classification and Control Markings**

Register and Manual

Version 6.0

(Effective: 28 February 2013)

Administrative Update, 5 April 2013

**Controlled Access Program Coordination Office (CAPCO)
Washington, DC 20511**

(U) Minor changes for clarification are made to the CAPCO *Register and Manual* occasionally without the issuance of a new version. ONLY THE VERSION POSTED ON THE CAPCO WEBSITE IS VALID.

(U) Note: Certain security markings were removed due to classified content. These markings have been compiled in separate addenda.

**(U) POC: CAPCO/Classification and Control Markings
DNI-SSD-CAPCO@dni.ic.gov, (571) 204-6500**

UNCLASSIFIED//~~FOUO~~

(U) ACKNOWLEDGMENT

(U) CAPCO would like to express its gratitude to the IC Classification Markings Implementation Working Group (CMIWG) representatives and advisors for their continued dedication and contributions to ensuring the IC classification and control markings standard meets the needs of the community.

(U) IC CMIWG Members

Air Force
Army
Central Intelligence Agency (CIA)
Coast Guard
Drug Enforcement Administration (DEA)
Department of Homeland Security (DHS)
Defense Intelligence Agency (DIA)
Department of Energy (DOE)
Department of State (DoS)
Federal Bureau of Investigation (FBI)
Marine Corps
Navy
National Geospatial-Intelligence Agency (NGA)
National Reconnaissance Office (NRO)
National Security Agency (NSA)
ODNI/IC CIO/Information Management Group (IMG)
Office of the Under Secretary of Defense for Intelligence (OUSD[I])
Department of the Treasury

(U) CMIWG Advisors

NARA/Information Security Oversight Office (ISOO)
ODNI/IC Chief Information Office (IC CIO)
ODNI/Office of the General Council (OGC)
ODNI/Partner Engagements (PE)
ODNI/Policy and Strategy (P&S)
ONCIX/MID/Policy



Table of Contents

(U) CHANGE LOG	7
(U) INTRODUCTION	8
<i>(U) Authority</i>	8
<i>(U) Purpose</i>	8
<i>(U) Applicability</i>	9
<i>(U) Marking Structure and Formatting</i>	9
<i>(U) Resources</i>	11
<i>(U) IC Classification and Control Markings System Artifacts</i>	12
(U) GENERAL MARKINGS GUIDANCE	13
<i>(U) Marking Requirements</i>	13
<i>(U) Marking Electronic Information</i>	13
<i>(U) Change Requests (CR)</i>	14
<i>(U) Classification by Compilation</i>	14
<i>(U) Classification and Marking Challenges</i>	15
<i>(U) Transmittal Documents</i>	15
(U) PORTION MARKS	16
<i>(U) Syntax Rules</i>	16
<i>(U) Portion Marking Waivers</i>	17
(U) BANNER LINE	18
<i>(U) Syntax Rules</i>	18
<i>(U) Banner Line "Roll-Up" Rules</i>	19
(U) CLASSIFICATION AUTHORITY BLOCK	20
<i>(U) Original Classification Authority</i>	20
<i>(U) Derivative Classification Authority</i>	21



(U) Multiple Sources and the Declassify On Line Hierarchy 21

(U) CAPCO REGISTER..... 24

(U) CAPCO MANUAL..... 28

1. (U) US CLASSIFICATION MARKINGS 28

 (U) TOP SECRET 30

 (U) SECRET 31

 (U) CONFIDENTIAL..... 33

 (U) UNCLASSIFIED..... 34

2. (U) NON-US PROTECTIVE MARKINGS (REFER TO THE CAPCO MANUAL APPENDICES A, B, AND C) 38

3. (U) JOINT CLASSIFICATION MARKINGS..... 39

 (U) JOINT 40

4. (U) SENSITIVE COMPARTMENTED INFORMATION (SCI) CONTROL SYSTEM MARKINGS 43

 (U) ENDSEAL..... 46

 (U) ECRU 48

 (U) NONBOOK..... 50

 (U) HCS 52

 (U//~~FOUO~~) [REDACTED] 54

 (U//~~FOUO~~) [REDACTED] 56

 (U//~~FOUO~~) [REDACTED] 58

 (U//~~FOUO~~) [REDACTED] 60

 (U) KLONDIKE..... 62

 (U) BLUEFISH..... 64

 (U) BLUEFISH [SUB-COMPARTMENT] (UP TO 6 ALPHANUMERIC CHARACTERS) 66

 (U) IDITAROD 68

 (U) IDITAROD [SUB-COMPARTMENT] (UP TO 6 ALPHANUMERIC CHARACTERS) 70

[REDACTED]

(U) KANDIK	72
(U) KANDIK [SUB-COMPARTMENT] (UP TO 6 ALPHANUMERIC CHARACTERS).....	74
(U) RESERVE	76
(U) RESERVE-[COMPARTMENT] (3 ALPHANUMERIC CHARACTERS).....	78
(U) SPECIAL INTELLIGENCE	80
(U) SI-[COMPARTMENT] (3 ALPHA CHARACTERS)	82
(U) GAMMA	84
(U) GAMMA [SUB-COMPARTMENT] (4 ALPHA CHARACTERS).....	85
(U) TALENT KEYHOLE	87
5. (U) SPECIAL ACCESS PROGRAM MARKINGS	89
(U) SPECIAL ACCESS REQUIRED	92
6. (U) ATOMIC ENERGY ACT INFORMATION MARKINGS	94
(U) RESTRICTED DATA.....	95
(U) CRITICAL NUCLEAR WEAPON DESIGN INFORMATION	97
(U) SIGMA [#].....	99
(U) FORMERLY RESTRICTED DATA.....	102
(U) SIGMA [#].....	104
(U) DOD UNCLASSIFIED CONTROLLED NUCLEAR INFORMATION	107
(U) DOE UNCLASSIFIED CONTROLLED NUCLEAR INFORMATION	109
(U) TRANSClassIFIED FOREIGN NUCLEAR INFORMATION	111
7. (U) FOREIGN GOVERNMENT INFORMATION MARKINGS.....	113
(U) FOREIGN GOVERNMENT INFORMATION	114
8. (U) DISSEMINATION CONTROL MARKINGS	123
(U) RISK SENSITIVE	125
(U) FOR OFFICIAL USE ONLY.....	127

[REDACTED]

(U) DISSEMINATION AND EXTRACTION OF INFORMATION CONTROLLED BY ORIGINATOR	129
(U) DISSEMINATION AND EXTRACTION OF INFORMATION CONTROLLED BY ORIGINATOR-USGOV	131
(U) CONTROLLED IMAGERY	134
(U) NOT RELEASABLE TO FOREIGN NATIONALS	137
(U) CAUTION-PROPRIETARY INFORMATION INVOLVED.....	140
(U) AUTHORIZED FOR RELEASE TO	142
(U) RELEASABLE BY INFORMATION DISCLOSURE OFFICIAL	146
(U) USA/_____ EYES ONLY	150
(U) DEA SENSITIVE	152
(U) FOREIGN INTELLIGENCE SURVEILLANCE ACT	154
(U) DISPLAY ONLY	156
9. (U) NON-INTELLIGENCE COMMUNITY DISSEMINATION CONTROL MARKINGS.....	162
(U) LIMITED DISTRIBUTION.....	163
(U) EXCLUSIVE DISTRIBUTION.....	165
(U) NO DISTRIBUTION	167
(U) SENSITIVE BUT UNCLASSIFIED	169
(U) SENSITIVE BUT UNCLASSIFIED NOFORN.....	171
(U) LAW ENFORCEMENT SENSITIVE	174
(U) LAW ENFORCEMENT SENSITIVE NOFORN	178
(U) SENSITIVE SECURITY INFORMATION	182
(U) MARKINGS HISTORY	185
(U) BANNER LINE SYNTAX HISTORY	186
(U) MARKING EXAMPLES	187

(U) Change Log

(U) The complete history of changes is posted on the CAPCO websites (JWICs and SIPRnet) under "Markings and Reference Library".

(U) This update includes the following changes:

(U) Global

- Corrected typographical errors, font inconsistencies, notional example errors, and spacing issues.
- Added outline numbers to Manual sections for reader ease.
- Replaced all Designated Information Disclosure Official (DIDO) references to the new ICD 403 term Senior Foreign Disclosure and Release Authority (SFDR).

(U) **Front Cover** – Added "Administrative Update" and date.

(U) **Table of Contents** – Regenerated.

(U) **Change Log** – Updated to reflect administrative revisions to the CAPCO Register and Manual v6.0 publication.

(U) General Markings Guidance

- **Classification by Compilation** – Added that compilation may include both classification level and control markings.
- **Multiple Sources and the Declassify On Line Hierarchy**
 - Corrected typo on first bullet of declassification hierarchy, removed first "NATO" in the "N/A to [RD/FRD/TFNI/NATO, as appropriate] [and NATO, if appropriate] portions."
 - Added interim guidance on determining longest period of duration for 25X1-25X9 exemptions that are missing the required date or event.
- **Retired or Invalid Declassify On Values** – Added interim guidance for derivative classifiers when reusing the invalid Declassify On values "25X1-25X9, missing a date or event" and "Source Marked 25X#, date of source [value]."

(U) CAPCO Register

- Corrected order under NATO markings section, moved Balk above Bohemia in table.

(U) CAPCO Manual

- **AEA Information Markings** – Added rules to establish RD and RD-SIGMA [#] precedence over FRD and FRD-SIGMA [#], respectively when RD and FRD information is commingled in the same document and/or portion.
- **Dissemination Control Markings**
 - **ORCON** – Added missing Relationship(s) to Other Markings paragraph and included applicable guidance.
 - **ORCON-USGOV**
 - Relationship(s) to Other Markings – Clarified that the marking may not be used with RELIDO.
 - Revised the Notes section to separate the electronic systems paragraph into two bulleted items for further clarification, one for intelligence information and one for finished intelligence products.
- **DEA SENSITIVE** – Added note at top of template that the marking will be evaluated for continued CAPCO registration with implementation of the Controlled Unclassified Information (CUI) Program.
- **Non-IC Dissemination Control Markings**
 - **EXDIS and NODIS** – Added guidance that reuse of EXDIS and NODIS information requires Department of State approval, and provided point of contact and phone number.
 - **SSI** – Noted that the SSI warning is placed at the bottom of each page of a document containing SSI information, and replaced note at top of template to match other notes on similar templates that the marking will be evaluated for continued CAPCO registration with implementation of the Controlled Unclassified Information (CUI) Program.

(U) Introduction

(U) Authority

(U) Intelligence Community Directive (ICD) 710, *Classification and Control Markings System*, dated 11 September 2009, governs the implementation and oversight of the Intelligence Community (IC) classification and control markings system as a critical element of IC procedures for protecting intelligence and information (hereinafter referred to as "information") and sources and methods while ensuring that information is available without delay or unnecessary restrictions. The classification and control markings system enables information sharing while protecting sources, methods, and activities from unauthorized or unintentional disclosure. The markings system includes all markings added to classified and unclassified information to communicate one or more of the following: classification, compartmentation, dissemination controls, disclosure or release authorizations, and other warnings.

(U) The IC Classification and Control Markings System augments and further defines national-level guidance on marking requirements for classified information found in Executive Order (EO) 13526 and the companion Information Security Oversight Office (ISOO) Implementing Directive found in Title 32 of the Code of Federal Regulations Part 2001 (32 CFR 2001) and for controlled unclassified information (CUI) found in EO 13556, *Controlled Unclassified Information*. This system does not stipulate or modify the classification authority information required by EO 13526 and the ISOO Implementing Directive; any guidance related to classification authority is reproduced in this document for completeness and user understanding. The markings and guidance for CUI found in this document will be revised to include CUI marking requirements in accordance with national and IC-level implementation guidance when such guidance is published.

(U) The IC Classification and Control Markings System is implemented and maintained through the CAPCO *Register and Manual*. IC elements may submit requests for new markings, waivers, or other modifications to the system through their Classification Markings Implementation Working Group (CMIWG) representative to the Office of the National Counterintelligence Executive (ONCIX) via CAPCO. IC elements have up to twelve months from the publication date of the CAPCO *Register and Manual* to incorporate any modifications to the marking system into automated systems and machine-readable marking standards for automated systems. IC elements may submit requests for waivers to markings, formats, authorized abbreviations, or systems implementation of markings through their CMIWG representative. The ONCIX is the approval authority for all requests for waivers.

(U) Purpose

(U) The IC Classification and Control Markings System prescribes a standard set of markings to be applied to human-readable information, to include information in an electronic environment rendered or displayed for human utilization. The *Register* portion of this document identifies the authorized list of classification and control markings. The *Manual* portion of this document provides the amplifying and explanatory guidance, allowable vocabulary for all information markings and other non-IC markings, the human-readable syntax, and abbreviations and portion marks to control the flow of information. The markings in the *Manual* are to be applied to human-readable information regardless of medium (e.g., text, image, graphics, electronic documents including web page, etc.), unless a waiver has been granted. The IC Classification and Control Marking System, as defined and described in this document, is the basis for IC technical standards and automated IC classification and control markings systems.

(U) Documents transmitted over IC automated systems, including networks and telecommunications systems that collect, create, communicate, compute, disseminate, process, and store classified information shall conform to EO 13526 and 32 CFR 2001 for marking electronic information and to IC standards and technical specifications on machine-readable classification and control markings. The IC Chief Intelligence Officer (IC CIO) has identified the Classification Management Tool (CMT) in IC Standard (ICS) 500-8 as the required automated system for IC classifiers to create, apply, store, and re-use classification and control markings in email and MS Office products (e.g., Word, Excel, PowerPoint).

(U) The originating IC element may apply caveats or warnings to communicate distribution or handling instructions for the information. Any such caveats or warnings may not restrict dissemination beyond the restrictions already imposed by official control markings and must be consistent with any and all dissemination controls.

(U) While not the policy basis for an individual agency's use of any particular marking, the *CAPCO Manual* cites the applicable authority(ies) and sponsor(s) for each marking. Some of the Dissemination Control Markings and Non-Intelligence Community Dissemination Control Markings are restricted for use by specific agencies. These markings are included to provide guidance on handling information that bears them. Inclusion in this document does not authorize other agencies to use these markings. Non-US Protective Markings are used to translate (as appropriate) protective markings received from international organizations (e.g., NATO) or foreign governments. Joint Classification Markings are restricted for use on information which is owned or produced by more than one country and/or international organization.

(U) Applicability

(U) The guidance in the *Register and Manual* applies to the IC, as defined by the National Security Act of 1947, as amended, and such other elements of any other department or agency as may be designated by the President, or designated jointly by the DNI and the head of the department or agency concerned, as an element of the IC. When established by written agreement or understanding, this document also applies to Federal departments and agencies; state, local and tribal governments; private sector organizations; and other non-IC elements that handle, store, or disseminate intelligence information.

(U) This document does not address internal IC element control markings, or notices and warnings (e.g., US-Person Notice or DoD Distribution statements) not associated with a registered marking; and that may be applied to information to meet legal procedural requirements, indicate addressing, routing, or distribution guidance. Refer to the applicable IC element guidance associated with these markings, notices, or warnings for guidance.

(U) This document provides authorized markings for both unclassified and classified information. Existing practices for marking sensitive unclassified information remain in effect until the implementation of the CUI markings.

(U) Marking Structure and Formatting

(U) Marking Structure

(U) The IC Classification and Control Markings System has nine categories of Classification and Control Markings as follows:

- | | |
|--|--|
| 1. US Classification Markings | } <i>Required on classified documents and unclassified documents with dissemination controls - Items 1-3 are mutually exclusive within a banner and portion mark</i> |
| 2. Non-US Protective Markings | |
| 3. Joint Classification Markings | |
| 4. Sensitive Compartmented Information Control System Markings | |
| 5. Special Access Program Markings | |
| 6. Atomic Energy Act Information Markings | |
| 7. Foreign Government Information Markings | |
| 8. Dissemination Control Markings | |
| 9. Non-Intelligence Community Dissemination Control Markings | |

(U) Formatting

(U) Portion marks must always be placed at the beginning of the portions, immediately preceding the text to which it applies. This position affords maximum visibility to the reader. Portion marks must be enclosed in parentheses. Portion marks must use the same order and separators (i.e., slashes, hyphens, commas, or spaces) as are used for the banner line, except for the SENSITIVE BUT UNCLASSIFIED NOFORN (SBU NOFORN) and LAW ENFORCEMENT SENSITIVE

[REDACTED]

NOFORN (LES NOFORN) markings, where the banner line marking does not use a hyphen to connect the NOFORN and the portion mark does use a hyphen (i.e., SBU-NF and LES-NF).

(U) For US information, the first value of a banner line or portion mark is always the US classification marking. For Non-US or Joint information, the banner line and portion mark always starts with a double forward slash with no interjected space followed by the Non-US or JOINT classification marking. The banner line shall always have the classification marking capitalized and spelled out for US, Non-US and Joint information; no abbreviations are authorized.

(U) Sensitive Compartmented Information (SCI) Control System Markings shall follow if applicable, preceded by a double forward slash with no interjected space. SCI control systems and their compartments shall be kept together, connected by a hyphen. SCI control system compartments and their sub-compartments shall be kept together, separated by a space. Multiple SCI control systems shall be separated from each other by a single forward slash. All SCI control systems, compartments within control systems, and sub-compartments within compartments shall be listed in alphanumeric order (this ordering guidance applies for both published and unpublished markings). An example may appear as: TOP SECRET//SI-G ABCD DEFG-MMM AACD//ORCON/NOFORN where G and MMM are SI compartments, ABCD and DEFG are sub-compartments of G, and AACD is a sub-compartment of MMM.

(U) Special Access Program (SAP) Markings shall follow, if applicable, preceded by a double forward slash with no interjected space. The first value in the SAP category is the SAP category indicator either "SPECIAL ACCESS REQUIRED-" or "SAR-" (the authorized abbreviation). The hyphen appearing with the SAP category indicator is not a marking separator, but should be considered part of the SAP category indicator for marking syntax purposes. Following the SAP category indicator shall be the SAP program indicator which is the program's nickname or authorized digraph or trigraph. If multiple SAP program identifiers are applicable, each subsequent SAP program identifier shall be listed in alphanumeric order separated by a single forward slash ("/") without interjected spaces. The SAR- category indicator shall not be repeated when multiple program indicators are used. Reflecting SAP program hierarchy below the program identifier level in the portion or banner markings is optional and based on operational requirements. Compartment(s) (if any) associated with a SAP program identifier, shall be kept with the SAP program identifier, listed alphanumerically, and separated by a hyphen ("-"). Sub-compartment(s) (if any), shall be kept with the compartment, listed alphanumerically, and separated by a single space. An example may appear as: SECRET//SAR-ABC-DEF 123/SDA-121//NOFORN.

(U) Atomic Energy Act (AEA) Information Markings shall follow, if applicable, preceded by a double forward slash with no interjected space. AEA Information Markings and their subsets shall be kept together, connected by a hyphen. Multiple AEA markings shall be separated by a single forward slash with no interjected space. An example may appear as: SECRET//RD-CNWD//FRD//REL TO USA, GBR.

(U) Foreign Government Information (FGI) Markings shall follow, if applicable, preceded by a double forward slash with no interjected space. Multiple FGI trigraph country codes or tetragraph codes shall be separated by a single space. Trigraph codes used with the FGI marking shall be listed first alphabetically, followed by tetragraph codes listed alphabetically. An example may appear as: SECRET//FGI GBR JPN NATO//REL TO USA, GBR, JPN, NATO.

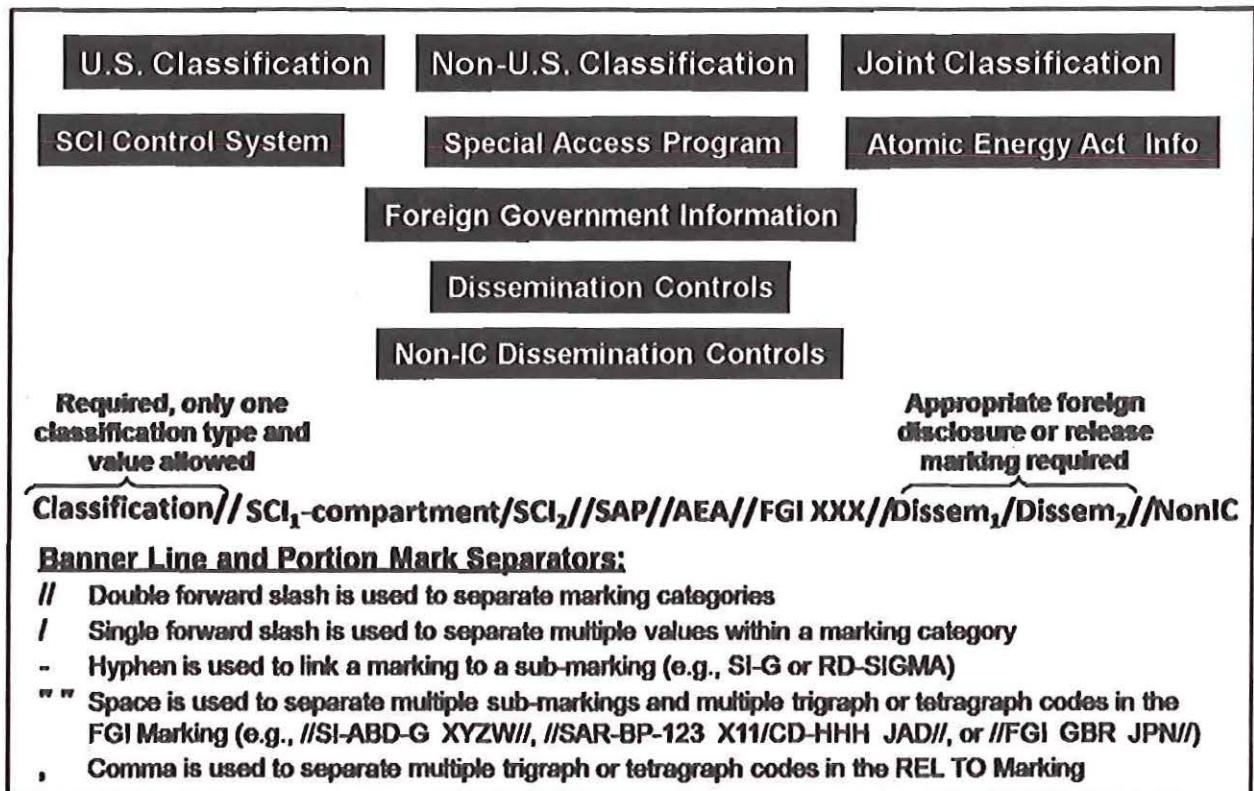
(U) Dissemination Control Markings shall follow preceded by a double forward slash with no interjected space. A single forward slash with no interjected space shall be used to separate multiple dissemination controls. Multiple REL TO countries shall be separated by commas with an interjected space. The "USA" trigraph code shall be listed first, followed by trigraph codes listed alphabetically, then tetragraph codes listed alphabetically, e.g., SECRET//REL TO USA, GBR, JPN, ISAF, NATO. US and Joint information, as the US is always a co-owner, shall be explicitly marked for appropriate foreign disclosure and release at the portion and banner level per ICD 710, §G.

(U) Non-Intelligence Community Dissemination Control Markings shall follow preceded by a double forward slash with no interjected space. A single forward slash with no interjected space shall be used to separate multiple controls in the category. In the portion mark for Non-IC Dissemination Control Markings, the marking and its sub-marking shall be kept together, connected by a hyphen, (i.e., the portion mark for SBU NOFORN is "SBU-NF").

(U) All applicable markings shall be applied in the order in which they appear in the *Register* with the exception of the SCI and SAP categories in which markings are to be ordered alphanumerically within each category. See ordering guidance

above for SCI and SAP categories. Only applicable control marking categories are to be used; no placeholders are required for categories that are not applicable.

(U) Figure 1 provides a graphic representation of the structure, order, and formatting of the IC marking system as described in this section and detailed in this document.



(U) Figure 1 – IC Classification and Control Markings Structure and Formatting

(U) Resources

(U) This document is available electronically at the following locations:

- **CAPCO Home Pages:**
 - On Intelink-TS: <http://intelshare.intelink.ic.gov/sites/dnissc/capco>
 - On Intelink-S: <http://intelshare.intelink.sgov.gov/sites/ssc/capco>
- **DNI SSC FOUO Information Portal:** Send an e-mail to dni-ssc-help@dni.gov and provide in the subject line of the e-mail "Request access to the SSC Portal." Potential users will receive an e-mail with further instructions. The SSC Help Desk is available at (866) 304-4238 for additional assistance.

(U) IC Classification and Control Markings System Artifacts

(U) The implementation of the markings in this document depends on additional guidance found in the documents listed below and available on the CAPCO websites:

- *CAPCO Register Annex A – Tetragraph Codes** (classified, releasable)
- *CAPCO Register Annex B – Tetragraph Codes** (classified, NOFORN)
- *CAPCO Register Annex C – Trigraph Country Codes*
- *CAPCO Register Annex D – Automated Marking System Guidance for DNI Developers (unpublished)*
- *CAPCO Unauthorized IC Classification and Control Markings*
- *CAPCO Manual Appendix A – Non-US Protective Markings* (includes the Five Eyes Marking Comparisons)
- *CAPCO Manual Appendix B – NATO Protective Markings*
- *CAPCO Manual Appendix C – UN Protective Markings* (classified, releasable)

(U) * **Note:** A tetragraph is a four-letter code (unless an exception is granted) used to represent an international organization, alliance, or coalition.

(U) For additional information, questions, or comments on these guidelines, please contact the CAPCO/CCM office by e-mail on JWICS at DNI-SSD-CAPCO@dni.ic.gov or by phone at (571) 204-6500.

(U) General Markings Guidance

(U) Marking Requirements

(U) Classification and control requirements apply to all information, whether in printed or electronic format regardless of the medium (e.g., text, image, graphics, and electronic information, including finished intelligence disseminated via cables, web pages, wikis, and blogs). "Document" is used throughout this *Manual* to more effectively describe and define marking requirements, but is not intended to limit the types of media on which classification markings must be applied. Figure 2 on the next page depicts each of the required human-readable marking elements on classified information.

(U) Classification and control markings shall be applied explicitly and uniformly when creating, disseminating, and using classified and unclassified information to maximize information sharing while protecting sources, methods, and activities from unauthorized or unintentional disclosure.

(U) In accordance with ICD 710, §D.8, originators of information shall include an IC element point of contact and contact instructions at the end of all intelligence products to expedite decisions on information sharing. Procedures for downgrading or sanitizing information shall not impose additional dissemination controls beyond those included in the *CAPCO Register and Manual*.

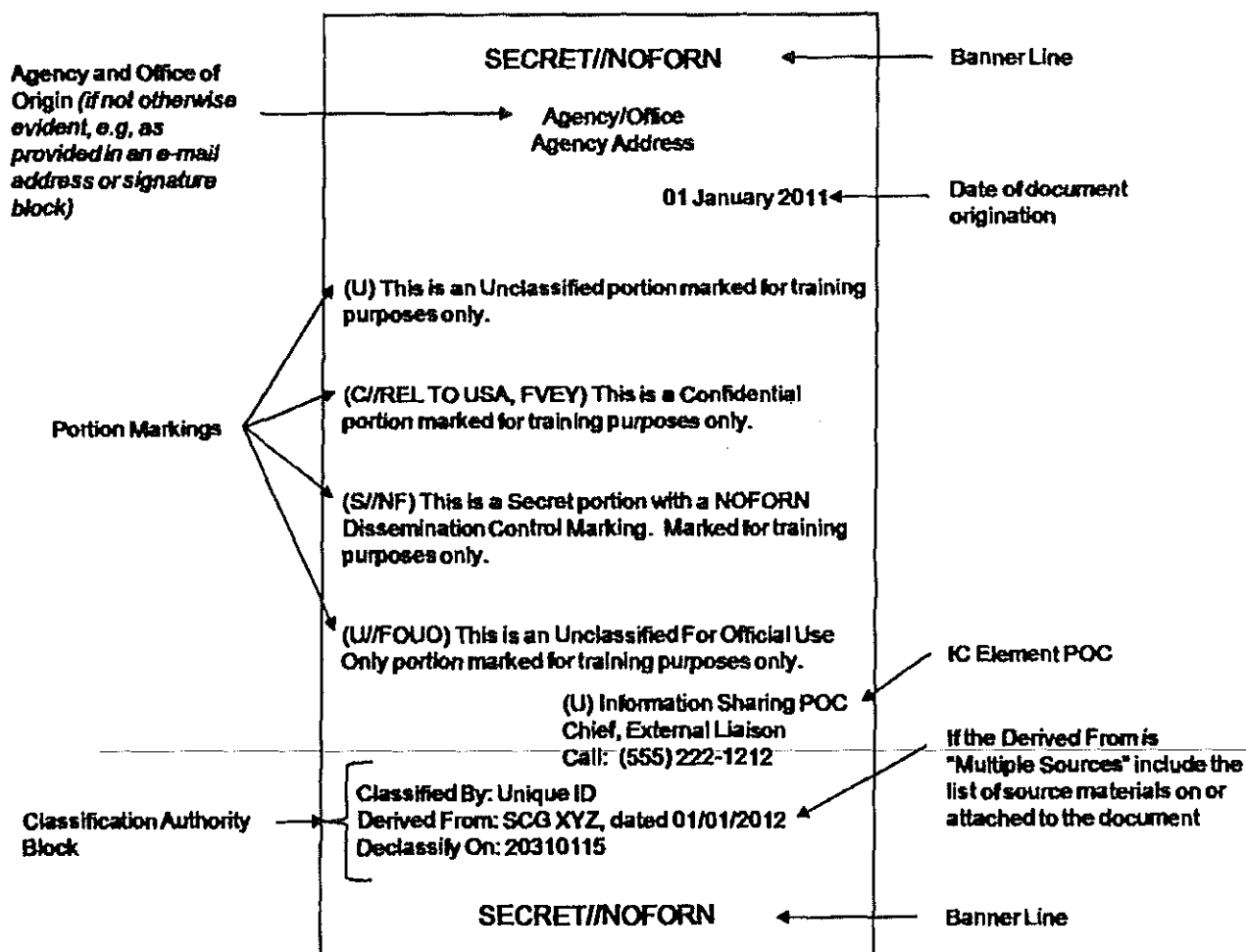
(U) Marking Electronic Information

(U) In general, classified national security information (CNSI) in the electronic environment is subject to the marking requirements specified in EO 13526. It must be marked with proper classification markings to the extent such marking is practical, including portion marks, overall classification, and a complete classification authority block. In cases where classified information in an electronic environment cannot be marked in this manner, a warning shall be applied to alert users that the information may not be used as a source for derivative classification and providing a point of contact and instructions for users to receive further guidance on the use and classification of the information.

(U) The markings shown in Figure 2 may be augmented or modified for specific electronic environments in accordance with ISOO Implementing Directive §2001.23, *Classification Marking in the Electronic Environment*. Refer to this section of the Directive provides additional guidance on marking the following types of electronic information: e-mail, web pages, electronic media files, URLs, dynamic documents and relational databases, bulletin board postings and BLOGS (Web Logs), classified wikis, instant messages and chats, and chat rooms. The directive is available on the CAPCO website. When fully implemented across the IC, users will rely on the CMT automated marking system to ensure all required IC classification and control markings are accurately applied.

(U) The IC Technical Specification titled "*XML Data Encoding Specification for Information Security Marking Metadata*" (ISM.XML) defines a data format for exchanging information security marking metadata between automated information systems. It provides technical guidance to IC software developers on using XML to encode information security marking metadata in XML. Implementation of ISM.XML is declared in ICS 500-21, "*Tagging of Intelligence and Intelligence-related Information*" (28 January 2011). In accordance with ICS 500-20, "*Intelligence Community Enterprise Standards Compliance* (16 December 2010)", IC elements shall consult the IC Enterprise Standards Baseline (IC ESB) for compliance requirements associated with each specification version. Each version is individually registered in the IC ESB and defines, among other things, the location(s) of the relevant artifacts, prescriptive status, and validity period, all of which characterize the version and its utility.

(U) In accordance with ICD 710, IC elements shall incorporate any modifications to the *CAPCO Register and Manual* into automated systems that disseminate information, within one year of the modification. After one year, IC systems that disseminate information shall be modified to reject information not marked in accordance with the *CAPCO Register and Manual*, unless a markings waiver has been approved. Markings waivers shall be submitted by the IC Element's CMIWG representative to ONCIX via CAPCO.



(U) Figure 2: Required Classification and Control Marking Elements

(U) Change Requests (CR)

(U) The IC Markings System is reviewed and revalidated by CAPCO and all IC elements each year as required by ICD 710. Any mid-year change requests proposed by an agency CMIWG member or CAPCO, are documented and processed by CAPCO as a CR to the markings system baseline. For additional information regarding the CR process, contact the appropriate agency CMIWG member.

(U) Classification by Compilation

(U) Data that individually is unclassified or classified at a lower level, may become classified or classified at a higher level when combined or *compiled* in a single document, if the compiled information reveals an additional association or relationship that meets the standards for classification under EO 13526, and is not otherwise revealed in the individual data items. Likewise, data that is not individually controlled, may become controlled when combined or compiled in a single document, if the compiled information meets the criteria for application of the control marking(s) under relevant policy, and is not otherwise controlled by the classification and control markings of the individual data items. Classification and control markings by compilation can be a derivative classification action based upon existing original classification

and control marking guidance or an original classification action. If the classification and control markings by compilation is a derivative action and reveals a new aspect of information that meets the criteria for classification, but that is not yet defined in an applicable classification guide as an approved classification by compilation, it shall be referred to an Original Classification Authority (OCA) with jurisdiction over the information to make an original classification decision. When a classification or control marking determination is made based on compilation, clear instructions must appear with the compiled information as to the circumstances under which the individual portions constitute a classified and/or controlled compilation, and when they do not.

(U) Classification and Marking Challenges

(U) Requesters of information and authorized holders of information shall seek to resolve classification and control marking issues at the lowest possible level in accordance with IC element procedures established under EO 13526, the ISOO Implementing Directive, and ICD 710.

(U) Classified information and unclassified information with dissemination controls must bear the following required classification and control marking elements:

- Classified information:
 - Highest classification level of information contained in the document and any applicable control markings placed at the top and bottom of every page (hereafter referred to as the "banner line")
 - Portion marks (preceding the text to which they apply)
 - Classification authority block (may appear anywhere on the first page/cover either vertically or horizontally)
 - Date of origin of the document

(U) Note: Classified information shall be explicitly marked for appropriate foreign disclosure and release at the portion and banner level as defined by and under the purview of ICD 710. This requirement is reflected throughout the marking templates as "[Explicit FD&R]" to represent one or more of the following dissemination control markings: NOFORN, REL TO, RELIDO, and DISPLAY ONLY. Follow internal agency procedures for obtaining foreign disclosure and release guidance on classified information.

- Unclassified information with control markings:
 - Banner line
 - Portion marks

(U) Transmittal Documents

(U) Unclassified or lower-classified documents such as cover letters or forms often are used to transmit classified attachments. The transmittal document must include: a banner line with the highest classification level and most restrictive controls of any classified information attached or enclosed, portion marks, and a classification authority block for the aggregate of all information transmitted. (Note: a classification block may also appear on individual attachments as appropriate.) The classification authority block must provide the required elements for the classified information that is being transmitted or enclosed, as described below in the Classification Authority Block section. The transmittal document shall also include conspicuously on its face, the following or similar instructions, as appropriate: **"Upon Removal of Attachments, this document is (Classification Level)."**

(U) Portion Marks

(U) Per 32 CFR 2001 (ISOO Implementing Directive) each portion of a document, ordinarily a paragraph, but including subjects, titles, graphics, tables, charts, bullet statements, subparagraphs, classified signature blocks, bullets and other portions within slide presentations, and the like, shall be marked to indicate which portions are classified and which portions are unclassified by placing a parenthetical symbol immediately preceding the portion to which it applies.

(U) Documents containing information that requires classification and/or control markings, regardless of format or medium, shall be portion marked unless a portion mark waiver has been granted (see below under Portion Marking Waivers). Classification and control markings shall be applied appropriately to each portion of information to ensure that the information is available without unnecessary delay or restrictions. An authorized portion mark is listed for each classification and control marking entry in the *Register*.

(U) Note: At this time, portion marking caveats on text documents such as: "All portions are ((class level portion mark)/[control marking portion mark, if applicable]) unless marked otherwise," are not authorized by ISOO.

- (U) In cases where portions are segmented, such as paragraphs, subparagraphs, bullets, and sub-bullets:
- If the classification level is the same throughout, it is sufficient to put only one portion mark at the beginning of the main paragraph or main bullet.
 - If there are different levels of classification among these segments, then all segments shall be portion marked separately in order to avoid over classification of any one segment.
 - If the information contained in a subparagraph or sub-bullet is a higher level of classification than its parent paragraph or parent bullet, this does not make the parent paragraph or parent bullet classified at that same level. Each portion shall reflect the classification level of that individual portion and not any other portions.
 - Any portion, no matter what its status, is still capable of determining the overall classification of the document.
 - To the extent possible, if segmented portions span more than one page, portion marks should be applied to the paragraphs, subparagraphs, bullets, and sub-bullets. In addition, if segmented portions stand on their own as a complete thought from the parent portion, consideration should be given to applying portion marks to each segment.

(U) Syntax Rules

(U) The following syntax rules shall be followed when applying a portion mark:

- Portion marks must be used on all classified information regardless of format or medium, unless a waiver has been obtained in accordance with guidance from the ISOO.
- All unclassified documents with control markings, regardless of format, or medium, shall be portion marked.
- Portion marks must always be placed at the beginning of the portions, immediately preceding the text to which it applies. This position affords maximum visibility to the reader.
- Portion marks must be enclosed in parentheses.
- Portion marks must use the same separators (i.e., slashes, hyphens, commas, etc.) as are used for the banner line, except for SBU NOFORN and LES NOFORN where the portion mark uses a hyphen to connect the NOFORN, e.g., (SBU-NF).
- When appropriate, individual portion marks may be less restrictive than the banner line. For example:
 - Some portions of a SECRET//NOFORN document may be marked (U//~~FOUO~~) when appropriate.
 - Some portions of a SECRET//NOFORN document may be marked (S//REL TO [trigraph(s)/tetragraph(s)]) when appropriate.

(U) On purely unclassified documents (i.e., no control markings) transmitted over a classified system, the designation "UNCLASSIFIED" must be conspicuously placed in the banner line. However, portion marks, i.e., "(U)" are not required. When transmitting purely unclassified documents (i.e., no control markings) over unclassified systems, classification markings are not required. For hard copy documents which are purely unclassified, it is optional to mark "UNCLASSIFIED" in the banner line, and portion marks are not required.


(U) Portion Marking Waivers

(U) The Director of ISOO may grant a waiver from portion marking. Waivers are granted for limited and specific categories of information. On 22 February 2012, ISOO approved the DNI's request for IC-wide portion mark waivers through 30 June 2014 for the following information categories:

- Complex technical, financial, or engineering diagrams, graphs, mission models, equations, and simulations
- GEOINT graphics products
- Internal forms
- President's Daily Brief [*President's Copy*] (DNI waiver only)
- Raw mission data

(U) The DNI did not petition for waivers on the following, as the ISOO Implementing Directive provides specific guidance regarding marking requirements:

- Audio/video files
- Dynamic/Ad-hoc Database Query/Report Results
- Dynamic web-based content
- Instant messages/chats

(U) ISOO mandates the following requirements when using these waivers:

- A classified document that is not portion marked cannot be used as a source for derivative classification, nor can it be used as a source for preparers of classification guides.
- A document falling under a waiver that is not portion marked should contain a caveat stating that it may not be used as a source for derivative classification.
- If a classified document that is not portion marked is transmitted outside a unit that routinely deals with the subject information, the document must be portion marked.

(U) Banner Line

(U) The banner line must be conspicuously placed at the top and bottom (header and footer) of each page, in a way that clearly distinguishes it from the informational text, whether in hard copy or being transmitted electronically. Each interior page of a classified document must have a banner line that contains either the highest level of classification of information contained on that page, including the designation "UNCLASSIFIED" when it is applicable, or the highest overall classification of the document.

(U) Syntax Rules

(U) The banner line must follow the order and syntax of the classification and control markings documented in the *Register*. It must contain, at a minimum, a classification level for the information and per ICD 710, the appropriate explicit foreign disclosure and release (FD&R) marking, as applicable. Other control markings are to be applied only if applicable to the information. In all cases, the lowest appropriate classification and least restrictive dissemination controls applicable shall be used.

(U) The following syntax rules shall be followed when creating a banner line:

- The banner line must be in uppercase letters.
- The classification level must be in English without abbreviation.
- US classified documents must always have a banner line with a US classification marking conspicuously placed at the top and bottom of the outside of the front cover (if any), on the title page (if any), on the first page, and on the outside of the back cover (if any).
- The banner line for internal pages of a document may be either the overall classification and control markings for the entire document (repeated on every page), or the classification and control markings associated only with the individual page.
- Non-US or JOINT classified documents must always begin the banner line with a double forward slash with no interjected space, followed by the Non-US or JOINT classification marking.
- Only applicable control marking categories are represented in the banner line after the classification. No slashes, hyphens or spaces are used to hold the place of control marking categories when the control marking is not represented in a document.
- Categories in the banner line are separated by a double forward slash with no interjected space (e.g., SECRET//NOFORN).
- Any control markings in the banner line may be spelled out per the "Marking Title" or abbreviated as per the "Authorized Abbreviation" in accordance with the *Register*, unless otherwise directed by component policy to use one form over the other.
- Multiple entries may be chosen from the SCI Control System, Special Access Program, Atomic Energy Act Information, Dissemination Control, and Non-Intelligence Community Dissemination Control marking categories if the entries are applicable to the information. If multiple entries are used within a category, they are listed in the order in which they appear in the *Register* separated by a single forward slash with no interjected space.
- A hyphen is used to connect a marking to its sub-marking(s) within the SCI control system, SAP, and AEA categories.

(U) Note: On purely unclassified documents (i.e., no control markings) transmitted over a classified system, the designation "UNCLASSIFIED" must be conspicuously placed in the banner line. However, portion marks, i.e., "(U)" are not required. When transmitting purely unclassified documents (i.e., no control markings) over unclassified systems, classification markings are not required. For hard copy documents that are purely unclassified, it is optional to mark "UNCLASSIFIED" in the banner line, and portion marks are not required.

(U) Banner Line "Roll-Up" Rules

(U) The banner line is developed by the "roll-up" or aggregation of portion marks. Generally, the roll-up process consists of:

- Taking the highest classification level of all the portions and using that as the banner line classification marking; except in cases of classification by compilation as described in the ISOO Implementing Directive §2001.13(c) and §2001.24(g). **Note:** Per ISOO, in cases of classification by compilation, the banner line will represent the highest classification and most restrictive control markings *revealed* by the information. The classifier must give clear instructions providing a reason why the information in aggregate is classified higher than its individual portions and also the circumstances under which the individual portions constitute a classified compilation, and when they do not.
- Repeating in the banner line, all *unique* SCI, SAP, and/or AEA markings used in the portions. **Note:** If there are duplicate SCI and SAP digraphs or trigraphs values, the SAP category indicator "//SAR-" clearly identifies the applicable category and ensures unique markings across the two categories.
- Repeating in the banner line, only "FGI" if any of the markings have concealed FGI source information (e.g., portion marked: //FGI [classification level]), **or** "FGI" *plus* all unique country trigraph(s) and/ tetragraph(s) as used in the portions, when *all* portions are unconcealed FGI (e.g., portion marked: //GBR S).
- Repeating all *unique and most restrictive* dissemination and non-IC markings. Refer to the actual marking templates for additional precedence rules for the banner line.
- Marking documents containing multiple portions with different foreign disclosure and release (FD&R) markings with the overall most protective marking. For example, if a document contains NOFORN portions and REL TO portions, NOFORN is the most protective of the markings and will always roll-up to the banner line. Refer to the specific FD&R marking templates for additional banner precedence guidance.

(U) Classification Authority Block

(U) At the time a classification determination is made, EO 13526 requires the information be identified and marked with several elements of information regarding the determination. These elements combined are referred to as the classification authority block. The classification authority block shall appear on the face of all classified documents to indicate: the person responsible for the classification determination, the reason for classification (only used on original classification decisions), the authority for the classification determination, and the declassification instructions.

(U) EO 13526 identifies two types of classification authority: Original Classification Authority (OCA) and derivative classification authority.

(U) Original Classification Authority

(U) An OCA classification decision is the act of initially determining that unauthorized disclosure of information reasonably could be expected to result in damage to the national security. On the face of all originally classified documents, regardless of the media, the OCA shall apply the following classification authority block markings (ISOO Implementing Directive, §2001.21 and §2001.26):

- **Classified By:** Identification by name and position, or personal identifier of the OCA.
- **Agency and Office of Origin:** If not otherwise evident, the agency and office of origin shall be identified and follow the name on the "Classified By" line.
- **Classification Reason:** Concise reason for classification that, at a minimum cites one of the classification categories listed in EO 13526, §1.4.
- **Declassify On:** Duration of the original classification decision, specified as the date, event, or exemption that corresponds to the lapse of the information's national security sensitivity. Valid values include:
 - A date of *no more than 25 years* from the original classification decision or the information's origin. The following format must be used: YYYYMMDD
 - An event. Events must be reasonably definite, foreseeable, and less than 10 years in the future.
 - "50X1-HUM" marking used when the information clearly and demonstrably could reveal a confidential human source or a human intelligence source.
 - "50X2-WMD" marking used when the information clearly and demonstrably could reveal key design concepts of weapons of mass destruction.
 - "25X1, EO 12951" (Note: Per DNI Memo E/S 00400, dated 26 May 2010, value replaces the "DCI Only" and "DNI Only" markings).
 - An exemption category of "25X#, date or event" (where "#" is a number from 1-9), see Note.
 - An exemption category of "50X#, date or event" (where "#" is a number from 1-9), see Note.
 - An exemption category of "75X#, date or event" (where "#" is number from 1 -9), see Note.
 - "N/A to [RD/FRD/TFNI, as appropriate] portions. See source list for NSI portions." Used when classified NSI includes RD, FRD, and/or TFNI portions, see ISOO Notice 2011-02.
 - "N/A to NATO portions. See source list for NSI portions". Used when classified NSI includes NATO portions, see ISOO Notice 2013-01 for additional guidance.
 - "N/A to [RD/FRD/TFNI, as appropriate] [and NATO, if appropriate] portions. See source list for NSI portions." Used when classified NSI includes RD, FRD, and/or TFNI portions and NATO portions, see ISOO Notice 2013-01 for additional guidance.
- **Date of origin of the document:** The date of origin of the document shall be indicated in a manner that is immediately apparent.

(U) **Note:** The use of exemptions from automatic declassification by agencies must be authorized in accordance with ISOO Implementing Directive, §2001.26. In addition, §2001.26(a)(6) states that "the marking 'subject to treaty or international agreement' is not to be used at any time."

(U) Derivative Classification Authority

(U) Derivative classification is the act of incorporating, paraphrasing, restating, or generating in new form any information that is already determined to be classified by an OCA either in a source document, classification guide, or other OCA guidance document. Unless superseded by OCA guidance, a derivative classifier should observe and respect the original classification decision, and carry forward to any newly created document the pertinent classification and control markings from the source document[s], classification guide(s), or other applicable OCA guidance.

(U) Derivative classifiers are responsible for ensuring that the information is appropriately classified and properly marked. Individuals who believe that information in their possession is inappropriately classified or unclassified, are expected to bring their concerns to the attention of responsible classification management official(s) within their organization. The face of all derivatively classified documents shall carry all markings prescribed in ISOO Implementing Directive §2001.20 and §2001.21 and the following classification authority block information is to be provided (ISOO Implementing Directive, §2001.22):

- **Classified By:** Cite the derivative classifier's identification by name and position, or by personal identifier, in a manner that is immediately apparent on each derivatively classified document. If not otherwise evident, the agency and office of origin shall be identified and follow the name on the "Classified By" line.
- **Derived From:** Concisely identify the source document or the classification guide on the "Derived From" line, including the agency and, where available, the office of origin, and the date of the source or guide used for the classification determination.
- **Declassify On:** Cite the date, event, or exemption that corresponds to the lapse of the information's national security sensitivity either carried forward from the source document's "Declassify On" line, or from the applicable classification guide.

(U) In addition to portion marks, classification banners, and a classification authority block, ISOO also requires the date of origin of the document to be indicated for all classified documents (regardless of medium). This date of origin shall be indicated in a manner that is immediately apparent. In addition, the "Classification Reason" is not transferred from originally classified source(s) documents or guide(s) in a derivative classification action.

(U) Multiple Sources and the Declassify On Line Hierarchy

(U) When a document is classified derivatively based on more than one source document, classification guide, or element of a classification guide(s), use "Multiple Sources" as the "Derived From" value. The "Declassify On" line shall reflect the single declassification value that provides the longest classification duration of any of the sources. When determining the single most restrictive declassification instruction among multiple source documents, adhere to the following hierarchy for determining the declassification instructions:

- "N/A to [RD/FRD/TFNI, as appropriate] [and NATO, if appropriate] portions. See source list for NSI portions." **Note:** per related ISOO Notice 2011-02 and 2013-01, these values do not have a date or event associated with them. Any one or combination of these declassification instructions takes precedence over all other declassification instructions. Recipients are to use the source list for declassification instructions for each classified NSI source.
- "50X1-HUM" or "50X2-WMD", or an ISOO approved designator reflecting the ISCAP approval for classification beyond 50 years. If the source documents have both 50X1-HUM and 50X2-WMD exemptions, apply 50X1-HUM as the exemption with the lowest number. **Note:** Per ISOO Notice 2012-02, "25X1-human" is no longer authorized; "50X1-HUM" replaces it.
- "25X1, EO 12951" **Note:** Per DNI Memo E/S 00400, dated 26 May 2010, value replaces the "DCI Only" and "DNI Only" markings when the document contains imagery as described in EO 12951.
- 25X1 through 25X9, with a date or event. If the source documents have multiple 25X exemptions, apply the exemption with the date or event that provides the longest period of protection. If all "25X#, date or event" exemptions have the same date or event, apply the "25X#, date/event" exemption with the lowest number.

- 25X1 through 25X9 *without* a date or event. If the source document(s) have 25X# exemption(s) without a date or event, determine the longest period of protection by using a calculated 50 year date from the source document date. If the source document date cannot be readily determined, calculate a date 50 years from the current date. If all 25X#'s with a calculated 50 year date have the same date, apply the exemption with the lowest number and the calculated 50 year date. **Note:** This is interim guidance pending a final ruling from ISOO.
- A specific declassification date no more than 25 years in the future.
- An event less than 10 years in the future.
- Absent guidance from an original classification authority with jurisdiction over the information, a calculated 25-year date from the date of the source information. When the source date cannot be readily determined, calculate a date 25 years from the current date.

(U) When the "Derived From" value is "Multiple Sources", the derivative classifier shall include a listing of the source materials on or attached to each derivatively classified document. The list of sources is intended to facilitate future declassification reviews.

(U) Commingling Atomic Energy Act Information and Classified National Security Information

(U) When a derivatively classified document contains portions of Restricted Data (RD), Formerly Restricted Data (FRD), or Transclassified Foreign Nuclear Information (TFNI), the "Declassify On" line shall not contain a declassification date or event. The following shall be annotated on the "Declassify On" line: "Not Applicable or (N/A) to [RD/FRD/TFNI, as appropriate] portions" and "See source list for NSI portions" separated by a period. The National Security Information (NSI) source list, as described in ISOO Implementing Directive, §2001.22(c)(1)(ii), must include the declassification instruction for each of the source documents classified under EO 13526. This source list shall not appear on the front page in the case of a commingled document as noted in the ISOO Implementing Directive, §2001.24(h)(3).

(U) In the case of a single page document that commingles RD or FRD and classified NSI, or in the case of a single page document that commingles TFNI and classified NSI, the NSI source list may appear at the bottom of the document below and clearly identified as separate from the classification authority block. This NSI source list will display the appropriate declassification instructions for each source. The "Declassify On" line will read "N/A to [RD/FRD/TFNI, as appropriate] portions. See source list for NSI portions."

(U) Commingling NATO Information and classified National Security Information

(U) When a derivatively classified document contains portions of North Atlantic Treaty Organization (NATO) information, the "Declassify On" line shall not contain a declassification date or event. The following shall be annotated on the "Declassify On" line: "Not Applicable or (N/A) to NATO portions. See source list for NSI portions". The NSI source list must include the declassification instruction for each of the source documents classified under EO 13526.

(U) Retired or Invalid Declassify On Values

(U) When using a source document or classification guide to derivatively classify information, where the "Declassify On" value(s) have been either retired or declared by ISOO as invalid, the ISOO Implementing Directive provides the following guidance:

- "Originating Agency's Determination Required", "OADR", or "Source Marked OADR, date of source [value]"
 - The derivative classifier shall calculate a date that is 25 years from the date of the source document (see Note.)
 - When the source date cannot be readily determined, calculate a date 25 years from the current date.
- "Manual Review", "MR", or "Source Marked MR, date of source [value]"
 - The derivative classifier shall calculate a date that is 25 years from the date of the source document (see Note.)
 - When the source date cannot be readily determined, calculate a date 25 years from the current date.

- Exemption markings "X1", "X2", "X3", "X4", "X5", "X6", "X7", and "X8" or "Source Marked X1-X8, date of source [value]"
 - The derivative classifier shall calculate a date that is 25 years from the date of the source document (see Note.)
 - When the source date cannot be readily determined, calculate a date 25 years from the current date.
- "DNI Only" or "DCI Only"
 - If the source document does not contain information described in EO 12951, *Release of Imagery Acquired by Space-Based National Intelligence Reconnaissance Systems*, the derivative classifier shall calculate a date that is 25 years from the date of the source document (see Note.)
 - If the source document contains information described in EO 12951, *Release of Imagery Acquired by Space-Based National Intelligence Reconnaissance Systems*, the derivative classifier shall use a declassification instruction prescribed by the DNI. The DNI has prescribed use of the following declassification instruction: "25X1, EO 12951".
- "Subject to treaty or international agreement"
 - The derivative classifier shall refer to the applicable OCA guidance regarding use of an authorized exemption, if any; absent guidance from an OCA, the derivative classifier shall calculate a date that is 25 years from the date of the source document.
- "25X1-human"
 - The derivative classifier shall not carry forward the 25X1-human declassification instruction from the source document; but instead, derivative classifiers should use the "50X1-HUM" marking.
- Exemption markings "25X1", "25X2", "25X3", "25X4", "25X5", "25X6", "25X7", "25X8" and "25X9" without the required date or event, or "Source Marked 25X1-25X9, date of source [value]" (Note: This is interim guidance pending a final ruling from ISOO.)
 - The derivative classifier shall calculate a date that is 50 years from the date of the source document.
 - When the source date cannot be readily determined, calculate a date 50 years from the current date.

(U) Note: A derivative classifier should not assume the information is unclassified if the calculated 25-year date has passed. The derivative classifier should contact the originating agency for guidance regarding an appropriate declassification instruction for that information.

(U) The guidance provided in this section is paraphrased from EO 13526, the Implementing Directive, and other ISOO guidance. Should there be any discrepancies between this *Manual* and EO 13526 or ISOO guidance, the EO 13526 and ISOO guidance will take precedence until the *Manual* is updated. For more information on the classification authority block, refer to EO 13526 and the ISOO Implementing Directive, Subparts A-C.

(U) CAPCO Register

(U) The CAPCO Register provides the list of authorized classification and control markings for the IC. All markings used in a banner line and portion mark shall follow the order in which they appear in this list. Refer to the corresponding marking section in the CAPCO *Manual* for specific marking instructions and guidance (e.g., banner line and portion mark formatting and syntax).

(U) Table is (U//~~FOUO~~) in its entirety.

Authorized Banner Line Marking Title	Authorized Banner Line Abbreviation	Authorized Portion Mark
1. US Classification Markings		
TOP SECRET	None	TS
SECRET	None	S
CONFIDENTIAL	None	C
UNCLASSIFIED	None	U
2. Non-US Protective Markings		
Non-US Protective Markings, refer to Appendix A		
Non-US Classification Markings		
See Appendix A Section 1 Guidance		
Non-US Special Access Program Markings		
See Appendix A Section 2 Guidance		
Non-US Dissemination Control Markings		
See Appendix A Section 3 Guidance		
Five Eyes Protective Marking Comparisons		
See Appendix A Section 4 Guidance		
NATO Protective Markings, refer to Appendix B		
NATO Classification Markings		
COSMIC TOP SECRET	None	CTS
NATO SECRET	None	NS
NATO CONFIDENTIAL	None	NC
NATO RESTRICTED	None	NR
NATO UNCLASSIFIED	None	NU
NATO/NAC Markings		
NATO [NATO Appendix B, Sect. 2] SECRET	None	NATO Appendix B, Sect. 2
NATO [NATO Appendix B, Sect. 2] CONFIDENTIAL	None	NATO Appendix B, Sect. 2
NATO [NATO Appendix B, Sect. 2] RESTRICTED	None	NATO Appendix B, Sect. 2
NATO [NATO Appendix B, Sect. 2] UNCLASSIFIED	None	NATO Appendix B, Sect. 2
NATO Special Access Program Markings		
ATOMAL	None	ATOMAL
BALK	None	BALK
BOHEMIA	None	BOHEMIA
NATO Dissemination Control Markings		
See NATO Appendix B, Sect. 4		
United Nations (UN) Protective Markings, refer to Appendix C		
UN RESTRICTED	None	None
3. JOINT Classification Markings (US is Co-Owner)		
JOINT TOP SECRET [LIST]*	None	JOINT TS [LIST]
JOINT SECRET [LIST]	None	JOINT S [LIST]
JOINT CONFIDENTIAL [LIST]	None	JOINT C [LIST]
JOINT UNCLASSIFIED [LIST]	None	JOINT U [LIST]

Authorized Banner Line Marking Title	Authorized Banner Line Abbreviation	Authorized Portion Mark
4. SCI Control System Markings		
ENDSEAL	EL	EL
ECRU	EU	EU
NONBOOK	NK	NK
HCS	HCS	HCS
(U// FOUO) [REDACTED]	[REDACTED]	[REDACTED]
(U// FOUO) [REDACTED]	P	P
(U// FOUO) [REDACTED]	[REDACTED]	[REDACTED]
KLONDIKE	KDK	KDK
BLUEFISH	BLFH	BLFH
BLFH-[SUB-COMPARTMENT] (up to 6 alphanumeric characters)	BLFH-XXXXXX	BLFH-XXXXXX
KANDIK	KAND	KAND
KAND-[SUB-COMPARTMENT] (up to 6 alphanumeric characters)	KAND-XXXXXX	KAND-XXXXXX
IDITAROD	IDIT	IDIT
IDIT-[SUB-COMPARTMENT] (up to 6 alphanumeric characters)	IDIT-XXXXXX	IDIT-XXXXXX
RESERVE	RSV	RSV
RESERVE-[COMPARTMENT] (3 alphanumeric characters)	RSV-XXX	RSV-XXX
SI	SI	SI
SI-[COMPARTMENT] (3 alphanumeric characters)	SI-XXX	SI-XXX
GAMMA	G	G
GAMMA [SUB-COMPARTMENT] (4 alphanumeric characters)	G XXXX	G XXXX
TALENT KEYHOLE	TK	TK
5. Special Access Program Markings		
SPECIAL ACCESS REQUIRED-[PROGRAM IDENTIFIER]	SAR-[PROGRAM IDENTIFIER] or SAR-[PROGRAM IDENTIFIER abbreviation]	(SAR-[PROGRAM IDENTIFIER abbreviation])
6. Atomic Energy Act Information Markings		
RESTRICTED DATA	RD	RD
CRITICAL NUCLEAR WEAPON DESIGN INFORMATION	CNWDI	CNWDI
SIGMA [#]	SIGMA [#]	SG [#]
FORMERLY RESTRICTED DATA	FRD	FRD
SIGMA [#]	SIGMA [#]	SG [#]
DOD UNCLASSIFIED CONTROLLED NUCLEAR INFORMATION	DOD UCNI	DCNI
DOE UNCLASSIFIED CONTROLLED NUCLEAR INFORMATION	DOE UCNI	UCNI
TRANSCCLASSIFIED FOREIGN NUCLEAR INFORMATION	TFNI	TFNI

Authorized Banner Line Marking Title	Authorized Banner Line Abbreviation	Authorized Portion Mark
7. Foreign Government Information Markings		
FOREIGN GOVERNMENT INFORMATION or FOREIGN GOVERNMENT INFORMATION [LIST]* (Note: This category is used when US classifiers <u>derivatively source</u> foreign government marked information in US products.)	FGI or FGI [LIST]	[LIST] [non-US classification portion mark] or NATO portion mark or FGI [non-US classification portion mark]
Special Access Program Markings		
Refer to section 7		
Dissemination Control Markings		
Refer to section 7		
8. Dissemination Control Markings:		
RISK SENSITIVE	RSEN	RS
FOR OFFICIAL USE ONLY	FOUO	FOUO
ORIGINATOR CONTROLLED	ORCON	OC
8.3.1 ORIGINATOR CONTROLLED-USGOV	ORCON-USGOV	ORCON-USGOV
CONTROLLED IMAGERY	IMCON	IMC
NOT RELEASABLE TO FOREIGN NATIONALS	NOFORN	NF
CAUTION-PROPRIETARY INFORMATION INVOLVED	PROPIN	PR
AUTHORIZED FOR RELEASE TO [USA, LIST]**	REL TO [USA, LIST]	REL TO [USA, LIST] or REL
RELEASABLE BY INFORMATION DISCLOSURE OFFICIAL	RELIDO	RELIDO
USA/____EYES ONLY (Note: waived through 09 Sep 2014)	None	USA/____EYES ONLY or EYES
DEA SENSITIVE	None	DSEN
FOREIGN INTELLIGENCE SURVEILLANCE ACT	FISA	FISA
DISPLAY ONLY [LIST]*	DISPLAY ONLY [LIST]	DISPLAY ONLY [LIST]
9. Non-Intelligence Community Dissemination Control Markings:		
LIMITED DISTRIBUTION	LIMDIS	DS
EXCLUSIVE DISTRIBUTION	EXDIS	XD
NO DISTRIBUTION	NODIS	ND
SENSITIVE BUT UNCLASSIFIED	SBU	SBU
SENSITIVE BUT UNCLASSIFIED NOFORN	SBU NOFORN	SBU-NF
LAW ENFORCEMENT SENSITIVE	LES	LES
LAW ENFORCEMENT SENSITIVE NOFORN	LES NOFORN	LES-NF
SENSITIVE SECURITY INFORMATION	SSI	SSI

* "[LIST]" pertains to one or more CAPCO Register, Annex C trigraph country codes or CAPCO Register, Annex A and B tetragraph code(s) used with the Non-US, JOINT, FGI, or DISPLAY ONLY markings. Refer to the specific marking template in the Manual for "[LIST]" formatting and syntax guidance.

** "[USA, LIST]" pertains to the string that contains "USA" followed by one or more CAPCO Register, Annex C trigraph country code(s) or CAPCO Register, Annex A and B tetragraph code(s) used with the REL TO marking. "USA" must always appear first whenever the REL TO string is used to communicate release decisions either by the US or a Non-US entity. Refer to the REL TO marking template in the Manual for "[LIST]" formatting and syntax guidance.

(U) CAPCO Register Annexes

- *CAPCO Register Annex A – Tetragraph Codes (classified, releasable)*
- *CAPCO Register Annex B – Tetragraph Codes (classified, NOFORN)*
- *CAPCO Register Annex C – Trigraph Country Codes*
- *CAPCO Register Annex D – Automated Marking System Guidance for DNI Developers (unpublished)*

(U) CAPCO Manual

1. (U) US Classification Markings

(U) US Classification markings are used in the banner line and portion marks of US classified National Security Information (NSI).

(U) "Collateral" information is defined as classified NSI under the provisions of EO 13526 and not subject to the enhanced security protections (e.g., safeguarding, access requirements) required for SCI or SAP information.

(U) The classification marking is the first entry in the banner line. The classification must be spelled out in full and may not be abbreviated in the banner line. The four permitted US classification markings are:

- TOP SECRET
- SECRET
- CONFIDENTIAL
- UNCLASSIFIED

(U) **Note:** There are *only* three classification levels defined in EO 13526: CONFIDENTIAL, SECRET, and TOP SECRET. UNCLASSIFIED is a marking that indicates the information did not meet the threshold for classification as defined in EO 13526.

(U) ICD 710 Foreign Disclosure and Release Markings on Classified Intelligence Information

(U) Classified information, as defined by and under the purview of ICD 710, shall be explicitly marked for appropriate foreign disclosure and release at the portion and banner level. This requirement is reflected throughout the marking templates as "[Explicit FD&R]" to represent one or more of the following dissemination control markings: NOFORN, REL TO, RELIDO, and DISPLAY ONLY. Originators of intelligence information are responsible for determining appropriate classification markings for the information they produce, and for applying the appropriate control markings that implement DNI guidelines for dissemination (foreign and domestic). Follow internal agency procedures for the use of foreign disclosure and release markings with classified information.

(U) ICD 710 is not applicable to classified military information falling under the purview of National Policy and Procedures for the Disclosure of Classified Military Information to Foreign Governments and International Organizations (short title: National Disclosure Policy-1 (NDP-1)). Within the Department of Defense, application of foreign release markings is accomplished by the Foreign Disclosure Officer (FDO) when foreign release is needed.

(U) Uncaveated Classified Intelligence Information Used as a Derivative Source

(U) In accordance with EO 13526, §2.1 and ICD 710, derivative classifiers shall carry forward to any newly created documents, the pertinent classification, compartmentation, dissemination controls, disclosure or release authorizations and other warnings.

(U) When sourcing from classified intelligence material that bears no control markings (uncaveated) and requires an explicit foreign disclosure and release decision per ICD 710, in the absence of any other applicable guidance (e.g., classification guide, source document[s], or DNI guidelines for foreign disclosure and release), the appropriate foreign release marking to add is RELIDO. Any other marking used in this sourcing scenario may jeopardize the information and/or the foreign release process.

(U) **Note:** If sourcing caveated (additional controls) classified intelligence material that does not have an explicit foreign disclosure and release marking, refer to the specific marking category/template in this document for additional guidance.

(U) Uncaveated Classified Non-IC Information Used as a Derivative Source

(U) The following guidance is provided for sourcing from classified non-IC originated material that bears no control markings (uncaveated) and requires an explicit foreign disclosure and release decision, in the absence of a formal agreement or notification between the non-IC organization and the IC element on handling requirements (including guidance from the non-IC element marking sponsor included in this document):

- When sourcing uncaveated classified military information under the purview of NDP-1 into intelligence material, contact the controlling organization or local Foreign Disclosure Office for further guidance.
- When sourcing other uncaveated classified non-IC originated information into intelligence material, the appropriate foreign release marking to add is RELIDO, which indicates the originator has authorized a Senior Foreign Disclosure and Release Authority (SFDRA) to make further sharing decisions in accordance with existing procedures.

(U) Note: If sourcing caveated (additional controls) classified non-IC originated information into intelligence material that does not have an explicit foreign disclosure and release marking, refer to the specific marking template in this document for additional guidance.

(U) Foreign Disclosure and Release Markings on Unclassified Information

(U) Unclassified information may be explicitly marked for appropriate foreign disclosure and release at the portion and banner level as circumstances warrant. Explicit foreign disclosure and release markings are not required on unclassified information. Follow internal agency procedures for the use of foreign disclosure and release markings with unclassified information. See the Unclassified marking template for banner line roll-up guidance.

(U) TOP SECRET

- (U) Authorized Banner Line Marking Title:** TOP SECRET
- (U) Authorized Banner Line Abbreviation:** None
- (U) Authorized Portion Mark:** TS
- (U) Example Banner Line** TOP SECRET//[Explicit FD&R]
- (U) Example Portion Mark:** (TS//[Explicit FD&R])
- (U) Marking Sponsor/Policy Basis:** OCA/EO 13526, §1.2(a)

(U) Definition: Under EO 13526, TOP SECRET shall be applied to information, the unauthorized disclosure of which reasonably could be expected to cause *exceptionally grave damage* to the national security that the original classification authority (OCA) is able to identify or describe.

(U) Further Guidance:

- ISOO Implementing Directive, §2001.24
- ICD 710

(U) Applicability: Available for use by all agencies.

(U) Additional Marking Instructions: Applicable Level(s) of Classification: May not be used with US UNCLASSIFIED, CONFIDENTIAL or SECRET; or non-US or JOINT classification markings, in the banner line or portion mark.

(U) Relationship(s) to Other Markings: May be used with other markings listed in the CAPCO Register for the SCI, SAP, AEA, FGI, Dissemination Control Markings, and Non-IC Dissemination Control Markings categories, unless specifically prohibited.

(U) Precedence Rules for Banner Line Guidance: TOP SECRET takes precedence over SECRET, CONFIDENTIAL, and UNCLASSIFIED and must always roll-up to the banner line.

(U) Commingling Rule(s) Within a Portion: May be combined with other information at a lower classification level and the TS marking must convey in the portion mark.

(U) Notional Example Page:

TOP SECRET//NOFORN

(TS/NF) This is the portion mark for a portion that is classified TOP SECRET and is not releasable to foreign nationals. This portion is marked for training purposes only.

(U) Note: The classification authority block is required on all US classified NSI. See the ISOO Implementing Directive and General Marking Guidance Section of this document for more information.

TOP SECRET//NOFORN

(U) SECRET

(U) Authorized Banner Line Marking Title:	SECRET
(U) Authorized Banner Line Abbreviation:	None
(U) Authorized Portion Mark:	S
(U) Example Banner Line:	SECRET//[Explicit FD&R]
(U) Example Portion Mark:	(S//[Explicit FD&R])
(U) Marking Sponsor/Policy Basis:	OCA/EO 13526, §1.2(a)

(U) Definition: Under EO 13526, SECRET shall be applied to information, the unauthorized disclosure of which reasonably could be expected to cause serious damage to the national security that the original classification authority is able to identify or describe.

(U) Further Guidance:

- ISOO Implementing Directive, §2001.24
- ICD 710

(U) Applicability: Available for use by all agencies.

(U) Additional Marking Instructions: Applicable Level(s) of Classification: May not be used with US UNCLASSIFIED, CONFIDENTIAL, or TOP SECRET; or non-US or JOINT classification markings, in the banner line or portion mark.

(U) Relationship(s) to Other Markings: May be used with other markings listed in the CAPCO Register for the SCI, SAP, AEA, FGI, Dissemination, and Non-IC Dissemination Control Markings categories, unless specifically prohibited.

(U) Precedence Rules for Banner Line Guidance: SECRET takes precedence over UNCLASSIFIED and CONFIDENTIAL in the banner line.

(U) Commingling Rule(s) Within a Portion: May be combined with other information at a lower classification level and the S marking must convey in the portion mark. SECRET takes precedence over UNCLASSIFIED and CONFIDENTIAL in the portion mark.

(U) Notional Example Page 1:

SECRET//RELIDO

(S//RELIDO) This is the portion mark for a portion that is classified SECRET which the originator has determined is releasable by an information disclosure official. This portion is marked for training purposes only.

(U) This is the portion mark for an UNCLASSIFIED portion that is uncaveated (i.e., no controls). The releaseability of this portion is not considered in developing the overall banner line RELIDO marking because it does not have an FD&R portion mark. This portion is marked for training purposes only.

(U) Note: The classification authority block is required on all US classified NSI. See the ISOO Implementing Directive and General Marking Guidance Section of this document for more information.

SECRET//RELIDO

(U) Notional Example Page 2:

SECRET//REL TO USA, FVEY

(S//REL) This is the portion mark for a portion that is classified SECRET which the originator has determined is releasable to USA, AUS, CAN, GBR, and NZL. This portion is marked for training purposes only.

(U) This is the portion mark for an UNCLASSIFIED portion that is uncaveated (i.e., no controls). The releaseability of this portion is not considered in developing the overall banner line REL TO marking because it does not have an FD&R portion mark. This portion is marked for training purposes only.

(U) Note: The classification authority block is required on all US classified NSI. See the ISOO Implementing Directive and General Marking Guidance Section of this document for more information.

SECRET//REL TO USA, FVEY

(U) CONFIDENTIAL

- (U) Authorized Banner Line Marking Title:** CONFIDENTIAL
- (U) Authorized Banner Line Abbreviation:** None
- (U) Authorized Portion Mark:** C
- (U) Example Banner Line:** CONFIDENTIAL//[Explicit FD&R]
- (U) Example Portion Mark:** (C//[Explicit FD&R])
- (U) Marking Sponsor/Policy Basis:** OCA/EO 13526, §1.2(a)

(U) Definition: Under EO 13526, CONFIDENTIAL shall be applied to information, the unauthorized disclosure of which reasonably could be expected to cause damage to the national security that the original classification authority is able to identify or describe.

- (U) Further Guidance:**
 - ISOO Implementing Directive, §2001.24
 - ICD 710

(U) Applicability: Available for use by all agencies.

(U) Additional Marking Instructions: Applicable Level(s) of Classification: May not be used with US UNCLASSIFIED, SECRET, or TOP SECRET; or non-US or JOINT classification markings, in the banner line or portion mark.

(U) Relationship(s) to Other Markings: May be used with other markings listed in the CAPCO Register for the SCI, SAP, AEA, FGI, Dissemination Control Markings, and Non-IC Dissemination Control Markings categories, unless specifically prohibited.

(U) Precedence Rules for Banner Line Guidance: CONFIDENTIAL takes precedence over UNCLASSIFIED in the banner line.

(U) Commingling Rule(s) Within a Portion: May be combined with other information at a lower classification level and the C marking must convey in the portion mark. CONFIDENTIAL takes precedence over UNCLASSIFIED in the portion mark.

(U) Notional Example Page:

CONFIDENTIAL//RELIDO

(C//RELIDO) This is the portion mark for a portion that is classified CONFIDENTIAL which the originator has determined is releasable by an information disclosure official. This portion is marked for training purposes only.

(U) Note: The classification authority block is required on all US classified NSI. See the ISOO Implementing Directive and General Marking Guidance Section of this document for more information.

CONFIDENTIAL//RELIDO

(U) UNCLASSIFIED

(U) Authorized Banner Line Marking Title:	UNCLASSIFIED
(U) Authorized Banner Line Abbreviation:	None
(U) Authorized Portion Mark:	U
(U) Example Banner Line:	UNCLASSIFIED
(U) Example Portion Mark:	(U)
(U) Marking Sponsor/Policy Basis:	None/EO 13526, §1.6(c)

(U) Definition: A designation used to mark information that does not meet the criteria for classified (CONFIDENTIAL, SECRET or TOP SECRET) national security information as defined by EO 13526.

(U) Further Guidance:

- ISOO Implementing Directive, §2001.24
- ICD 710

(U) Applicability: Available for use by all agencies.

(U) Additional Marking Instructions:

- Applicable Level(s) of Classification: May not be used with US CONFIDENTIAL, SECRET or TOP SECRET; or non-US or JOINT classification markings, in the banner line or portion mark.
- A classification authority block is not required on unclassified information.

(U) Relationship(s) to Other Markings: May be used with other markings listed in the CAPCO Register for the AEA, FGI, Dissemination, and Non-IC Dissemination Control Markings categories, unless specifically prohibited.

(U) Precedence Rules for Banner Line Guidance:

- UNCLASSIFIED only rolls-up to the banner line when all portions of the document are UNCLASSIFIED.
- If a document has portions of unclassified or unclassified with dissemination controls information that include explicit FD&R marking(s), those markings are used in determining the overall document's banner line FD&R marking(s).
- If a document has portions of unclassified information that do not include explicit FD&R marking(s), those portions are not used in determining the overall document's banner line FD&R marking(s). This rule is provided for automated system FD&R banner line aggregation processing. It is appropriate for IC classifiers to follow this guidance in the absence of any applicable local agency FD&R processes that require additional restrictions or internal controls for FD&R review of unclassified information.
- If a document has portions of unclassified with dissemination controls information that do not include explicit FD&R marking(s), those portions are treated as RELIDO for purposes of determining the overall document's banner line FD&R marking(s).

(U) Commingling Rule(s) Within a Portion: May be combined with other information bearing other classification levels. May not appear in the portion mark when combined with information classified at a higher level.

(U) Notes:

- Unclassified information is withheld from public release until approved for release by the originator.

- For unclassified documents transmitted over a classified system, the designation "UNCLASSIFIED" must be used in the banner line and include any dissemination controls that may apply, such as FOUO or PROPIN.
- Unclassified information that bears any control markings must also be portion marked.
- It is optional to have a banner line of "UNCLASSIFIED" on hard copy documents that are UNCLASSIFIED and bear no other control markings, such as FOUO or PROPIN.
- Purely unclassified documents (i.e., no control markings) transmitted over an unclassified system; do not require a classification marking.

(U) Notional Example Page 1:

UNCLASSIFIED

(U) This is the portion mark for an unclassified portion.

(U) Note: A classification authority block is not required on unclassified information. See the ISOO Implementing Directive and General Marking Guidance Section of this document for more information.

UNCLASSIFIED

(U) Notional Example Page 2:

UNCLASSIFIED//REL TO USA, FVEY

(U) This is the portion mark for an UNCLASSIFIED portion that is uncaveated (i.e., no controls). When a document has portions of unclassified information that do not include explicit FD&R marking(s), those portions are not used in determining the overall document's banner line FD&R marking(s). This rule is provided for automated system FD&R banner line aggregation processing. It is appropriate for IC classifiers to follow this guidance in the absence of any applicable local agency FD&R processes that require additional restrictions or internal controls for FD&R review of unclassified information without controls. This portion is marked for training purposes only.

(U//REL TO USA, FVEY) This is the portion mark for a portion that is UNCLASSIFIED and that the originator has determined is releasable to USA, Australia, Canada, New Zealand, and United Kingdom. This portion is marked for training purposes only. The releasability of this portion is considered in developing the overall banner line REL TO marking.

(U) Note: Documents containing multiple portions with different foreign disclosure or release markings must be marked overall with the most protective marking.

(U) Note: The classification authority block is not required on unclassified information. See the ISOO Implementing Directive and General Marking Guidance Section of this document for more information.

UNCLASSIFIED//REL TO USA, FVEY

(U) Notional Example Page 3:

SECRET//NOFORN/FISA

(U//FISA) This is the portion mark for a portion that is UNCLASSIFIED and contains FISA information. This portion is considered RELIDO for purposes of developing the overall banner line FD&R marking. This portion is marked for training purposes only.

(S//REL TO USA, GBR) This is the portion mark for a portion that is classified SECRET and that the originator has determined is releasable to USA and United Kingdom. This portion is marked for training purposes only.

(U) Note: Documents containing multiple portions with different foreign disclosure or release markings must be marked overall with the most protective marking.

(U) Note: The classification authority block is required on all US classified NSI. See the ISOO Implementing Directive and General Marking Guidance Section of this document for more information.

SECRET//NOFORN/FISA

(U) Notional Example Page 4:

UNCLASSIFIED//NOFORN//SBU

(U//SBU-NF) This is the portion mark for an UNCLASSIFIED portion that is controlled SBU NOFORN. Because this portion has an FD&R marking of NOFORN, the overall FD&R marking in the banner line must be NOFORN. This portion is marked for training purposes only.

(U//REL TO USA, FVEY) This is the portion mark for a portion that is UNCLASSIFIED and that the originator has determined is releasable to USA and Australia, Canada, New Zealand, and United Kingdom. This portion is marked for training purposes only.

(U) Note: Documents containing multiple portions with different foreign disclosure or release markings must be marked overall with the most protective marking.

(U) Note: The classification authority block is not required on unclassified information. See the ISOO Implementing Directive and General Marking Guidance Section of this document for more information.

UNCLASSIFIED//NOFORN//SBU

(U) Notional Example Page 5:

SECRET//REL TO USA, JPN

(U//FOUO/REL TO USA, JPN) This is the portion mark for an UNCLASSIFIED portion that is FOR OFFICIAL USE ONLY and the originator has determined is releasable to USA and JPN. This portion is marked for training purposes only.

(S//REL TO USA, JPN) This is the portion mark for a portion that is classified SECRET and the originator has determined is releasable USA and JPN. This portion is marked for training purposes only.

(U) Note: The classification authority block is required on all US classified NSI. See the ISOO Implementing Directive and General Marking Guidance Section of this document for more information.

SECRET//REL TO USA, JPN



2. (U) Non-US Protective Markings (Refer to the CAPCO Manual Appendices A, B, and C)

(U) The Non-US Protective Markings category has been moved and divided into Appendix A, B, and C to clarify for US classifiers that there are different protocols for marking US and Non-US information. The protocols for marking US information are in this document and the protocols for marking Non-US information are contained in the following IC marking system artifacts:

- *CAPCO Manual Appendix A – Non-US Protective Markings* (includes the Five Eyes Marking Comparisons)
- *CAPCO Manual Appendix B – NATO Protective Markings*
- *CAPCO Manual Appendix C – UN Protective Markings* (classified, releasable)

(U) JOINT Classification Markings

(U) The JOINT section remains in the US marking system and this document, because currently the US is the only country using the JOINT marking (i.e., US is always a co-owner/producer). The JOINT marking will be added to the Non-US Protective Markings Appendix when/if a foreign government(s) adopts the JOINT marking into its classification system.

(U) FGI Markings

(U) The FGI section remains in the US marking system and this document. FGI markings are used by US classifiers to identify and protect foreign-owned or foreign-produced information derivatively sourced in a US product. These markings are applied based on sharing agreements or arrangements with the source country or international organization.

3. (U) JOINT Classification Markings

(U) JOINT classification markings are used on information which is owned or produced by more than one country and/or international organization(s). Currently the US is the only country using the JOINT marking (i.e., US is always a co-owner/producer). The JOINT marking will also appear in the Non-US Protective Markings category once a foreign government(s) adopts the JOINT marking into their classification system.

(U) The JOINT classification marking always starts with a double forward slash, i.e., "//".

(U) The JOINT marking takes the following form:

- //JOINT [classification] [LIST]//REL TO [USA, LIST]

(U) "[LIST]" pertains to one or more CAPCO Register, Annex C trigraph country codes or CAPCO Register, Annex A and B tetragraph code(s) used with the JOINT marking.

(U) "[USA, LIST]" pertains to the string that contains "USA" followed by one or more CAPCO Register, Annex C trigraph country code(s) or CAPCO Register, Annex A and B tetragraph code(s) used with the REL TO marking. "USA" must always appear first whenever the REL TO string is used to communicate release decisions either by the US or a Non-US entity. Refer to the REL TO marking template in the *Manual* for "[LIST]" formatting and syntax guidance.

(U) Note: Jointly classified information no longer carries an implied release to the co-owners and requires a REL TO [USA, LIST] marking that includes at least the co-owners in the LIST at both the portion and banner level per ICD 710, §G.

(U) JOINT

- (U) Authorized Banner Line Marking Title:** //JOINT [Classification Level] [LIST]
- (U) Authorized Banner Line Abbreviation:** None
- (U) Authorized Portion Mark (US co-owner) (when the portion's country trigraphs and/or tetragraph list is different from the banner line JOINT marking):** //JOINT [Classification Level Portion Mark] [LIST]//REL TO [USA, LIST]
- (U) Authorized Portion Mark (when the portion's country trigraphs and/or tetragraph list is the same as the banner line JOINT):** //JOINT [Classification Level Portion Mark]//REL [TO USA, LIST] (Note: the "REL" portion mark abbreviation may used with the JOINT portion mark, if the portion's "REL TO" country trigraphs and/or tetragraph list is the same as the banner line REL TO country trigraph and/or tetragraph list.)
- (U) Example Banner Line (US co-owner):** //JOINT TOP SECRET CAN ISR USA//REL TO USA, CAN, ISR
- (U) Example Portion Mark (US co-owner):** (//JOINT S AUS USA//REL TO USA, AUS)
- (U) Marking Sponsor/Policy Basis:** Respective Countries/EO 13526, §6.1(s)(2)

(U) Definition: This category covers markings for information that is jointly owned and/or produced by more than one country/international organization.

(U) Further Guidance:

- ISOO Implementing Directive, 32CFR2001, §2001.24(c), *Foreign government information*
- ISOO Implementing Directive, 32CFR2001, §2001.54, *Foreign government information*
- ISOO Implementing Directive, 32CFR2001, §2001.55, *Foreign disclosure of classified information*
- ICD 710

(U) Applicability: Available for use by all IC elements.

(U) Additional Marking Instructions:

- Authorized classifications and portion marks are as follows:
 - TOP SECRET (TS)
 - SECRET (S)
 - CONFIDENTIAL (C)
 - UNCLASSIFIED (U)
- Currently, the US is always a JOINT marking owner/producer; therefore, RESTRICTED may not be used with the JOINT marking as it is a non-US classification for which there is no US equivalent marking.
- "[LIST]" pertains to one or more CAPCO Register, Annex C trigraph country codes or CAPCO Register, Annex A and B tetragraph code(s) used with the JOINT marking. Country trigraph codes are listed alphabetically followed by tetragraph codes in alphabetical order. Multiple codes are separated by a single space.
- "[USA, LIST]" pertains to the string that contains "USA" followed by one or more CAPCO Register, Annex C trigraph country code(s) or CAPCO Register, Annex A and B tetragraph code(s) used with the REL TO marking. "USA" must always appear first whenever the REL TO string is used to communicate release decisions either by the US or a Non-US entity. Refer to the REL TO marking template in the *Manual* for "[LIST]" formatting and syntax guidance.

- The "REL" abbreviation may be used with the JOINT marking if the portion's "REL TO" country trigraphs and/or tetragraph list is the same as the banner line REL TO country trigraph and/or tetragraph list.

(U) Relationship(s) to Other Markings:

- May be used with SCI, SAP, AEA, IC and Non-IC dissemination control markings (excluding NOFORN), as appropriate.
- May not be used with the NOFORN marking.
- May not be used with the FGI marking.

(U) Notes:

- The JOINT marking in the banner line and in the portion mark indicates co-ownership and releasability of the entire document or portion only to the co-owners. All JOINT information is withheld from further release until approved for release by the co-owners.
- JOINT classified information for which the US is a co-owner, must be appropriately classified and explicitly marked with a REL TO marking that includes the US and all co-owners, at both the banner and portion level.
- While the application of US control markings with the JOINT marking may not be a frequent operational need, the markings are allowed "as appropriate" to ensure technical standards and systems do not prohibit the combination and possibly impede information sharing.
- Agencies that create JOINT information are required to provide specific marking guidance and instruction to classifiers regarding when such a combination of JOINT and US control markings is appropriate.
- JOINT classified documents, because the US is always a co-owner, require a classification authority block. See the ISOO Implementing Directive and General Marking Guidance Section of this document for more information.

(U) Derivative Use (i.e., re-use of information in whole or in part in intelligence products): JOINT information may be sourced into a US document provided that (see example 3):

- The JOINT information has received prior approval from all co-owners used in the JOINT marking.
- The portion mark contains the following:
 - JOINT marked portions must be segregated from US classified portions.
 - If the JOINT portion is extracted into a US document then the co-owner country trigraph code(s)/ and/or tetragraph code(s) must be listed i.e., (//JOINT S [trigraphs and/or tetragraphs]).
 - When extracting a JOINT portion marked with the authorized REL TO marking abbreviation "REL" from a source document, carry forward the trigraph/tetragraph codes listed in the source document banner line to the new portion mark (see page example below).
- The banner line contains the following:
 - Highest classification level of all portions, expressed as a US classification marking.
 - The JOINT marking is not carried forward to the banner line in US documents, but remains for applicable portions.
 - The FGI marking is then added to the banner line including all trigraph/tetragraph codes identified in the JOINT portion(s).
 - REL TO, to include all common non-US country trigraph/tetragraph codes identified in the JOINT portions, unless a portion is marked NOFORN, in which case the NOFORN marking must appear in the banner line.

(U) Notional Example Page 1:

//JOINT SECRET CAN GBR USA//REL TO USA, CAN, GBR

(//JOINT S//REL) This is the portion mark for a portion that is classified JOINT Canadian, British, and US SECRET. The JOINT portion mark indicates co-ownership and releasability of the entire portion only to the co-owners (same as banner line). This portion is marked for training purposes only.

(//JOINT S CAN GBR USA//REL TO USA, FVEY) This is the portion mark for a portion that is classified JOINT Canadian, British, and US SECRET as the co-owners have authorized further release to Australia and New Zealand. This portion is marked for training purposes only.

(U) Note: The classification authority block is required on all JOINT classified documents because the US is a co-owner. See the ISOO Implementing Directive and General Marking Guidance Section of this document for more information.

//JOINT SECRET CAN GBR USA//REL TO USA, CAN, GBR

(U) Notional Example Page 2:

//JOINT SECRET GBR USA//REL TO USA, FVEY

(//JOINT S//REL) This is the portion mark for a portion that is classified JOINT British and US SECRET. The British and US as co-owners have authorized further release to Australia, Canada, and New Zealand (same as banner line). This portion is marked for training purposes only.

(U) Note: The classification authority block is required on all JOINT classified documents because the US is a co-owner. See the ISOO Implementing Directive and General Marking Guidance Section of this document for more information.

//JOINT SECRET GBR USA//REL TO USA, FVEY

(U) Notional Example Page 3:

SECRET//FGI GBR //REL TO USA, AUS, CAN, GBR, NZL

(//JOINT S GBR USA//REL) This is the portion mark for a portion that is classified JOINT British and US SECRET. The British and US as co-owners have authorized further release to Australia, Canada, and New Zealand (same as banner line). This portion is marked for training purposes only.

(S//REL) This is the portion mark for a portion that is classified US SECRET and authorized for release to Australia, Canada, New Zealand, and United Kingdom (same as banner line). This portion is marked for training purposes only.

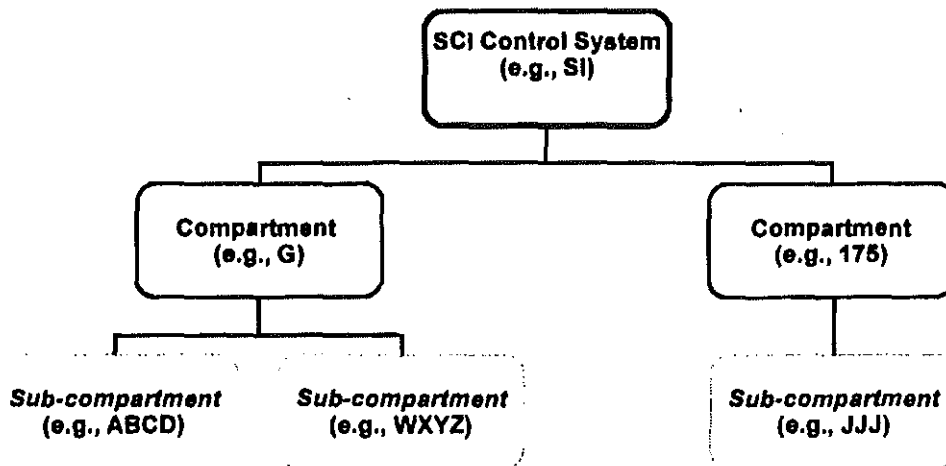
(U) Note: The classification authority block is required on all JOINT classified documents because the US is a co-owner. See the ISOO Implementing Directive and General Marking Guidance Section of this document for more information.

SECRET//FGI GBR //REL TO USA, AUS, CAN, GBR, NZL

4. (U) Sensitive Compartmented Information (SCI) Control System Markings

(U) General Information

(U) Sensitive Compartmented Information (SCI) is classified national intelligence information concerning or derived from intelligence sources, methods or analytical processes, which is required to be handled within formal access control systems established by the DNI. The SCI control system structure is the system of procedural protective mechanisms used to regulate or guide each program established by the DNI as SCI. A control system provides the ability to exercise restraint, direction, or influence over or provide that degree of access control or physical protection necessary to regulate, handle or manage information or items within an approved program. Within an SCI control system, there may be compartments and sub-compartments, used to further protect and/or distinguish SCI. Figure 3 below illustrates the basic hierarchical structure of an SCI control system:



Sample banner line SCI category as depicted: //SI-G ABCD WXYZ-175 JJJ//

(U) Figure 3: SCI Control System Hierarchical Structure

(U) For the purpose of succinctness in the banner and portion mark, the IC SCI Marking Standard *is not intended to show direct hierarchy/structure beyond or beneath the sub-compartment level*. To display a program beyond the sub-compartment level, move the subordinate program up to the sub-compartment level and list the sub-compartment(s) in alphanumeric order. In this manner, the relationship to the compartment will be shown, but because the sub-compartments are listed alphanumerically, direct hierarchy of the sub-compartment(s) will not be shown. Refer to the syntax rules below and Table 1 for additional guidance and a marking sample.

(U) There are six SCI control systems published in the *Register*:

- ENDSEAL (EL)
- HCS
- KLONDIKE (KDK)
- RESERVE (RSV)
- Special Intelligence (SI)
- TALENT KEYHOLE (TK)

(U) In addition to the published SCI control systems, the CAPCO/SCI and SAP Management Office also maintains a list of registered but unpublished SCI control systems. These must remain unpublished due to sensitivity and restrictive access controls. Individuals encountering information with unpublished markings in the SCI/SAP marking category should contact their agency SCI or SAP Management Office or CAPCO's SCI and SAP Management Office for further guidance on use and protection of information marked with an unpublished marking.

(U) For all published and unpublished SCI control systems, use the following syntax rules for both portion marks and banner lines:

- Use a double forward slash ("/") with no interjected space to separate the US classification marking and the SCI control system marking.
- Multiple control systems may be used in the SCI control system category, if applicable.
- Multiple SCI control system markings shall be listed alphanumerically separated by a single forward slash with no interjected space ("/").
- An SCI control system may have multiple compartments.
- Multiple compartments within an SCI control system shall be listed alphanumerically separated by a hyphen ("-"), i.e., a hyphen will precede each compartment.
- An SCI compartment may have multiple sub-compartments separated by a space (" "), i.e., a space will precede each sub-compartment.
- Multiple sub-compartments shall be listed in alphanumeric order.
- Only unique SCI control system, compartment, or sub-compartment markings will be used, i.e., no marking shall be repeated within the SCI Control Marking category.
- SCI type indicator markings used to group compartments, such as "ECI", shall not be used.

(U) The sample banner below illustrates the syntax rules for the SCI Control Marking category. The separators have been enlarged and bolded for illustrative purposes. Refer to Table 1 below the sample banner, for a listing of each marking category and marking used in the sample:

TOP SECRET//EL-EU/KDK-AAA 123-LLL SSS/MMM-XYZ/SI-G QURT-PPP/TK//ORCON/NOFORN

(U) All portions in the table below are UNCLASSIFIED.

Marking Category	Markings Used
US Classification Level	TOP SECRET
SCI Control Systems	EL, KDK, MMM (unpublished), SI, TK
SCI Compartments	EU is a compartment (published) of EL AAA is a compartment (unpublished) of KDK LLL is a compartment (unpublished) of KDK XYZ is a compartment (unpublished) of MMM G is a compartment (published) of SI PPP is a compartment (unpublished) of SI
SCI Sub-Compartments (Note: all sub-compartments in the example are fictitious unpublished values)	123 is a sub-compartment of AAA under KDK SSS is a sub-compartment of LLL under KDK QURT is a sub-compartment of G under SI
Dissemination Control Markings	ORCON, NOFORN

(U) Table 1: Sample Banner Marking Categories and Markings

(U) ICD 710 Foreign Disclosure and Release Markings on Classified Intelligence Information

(U) Classified information, as defined by and under the purview of ICD 710, shall be explicitly marked for appropriate foreign-disclosure and release at the portion and banner level. This requirement is reflected throughout the marking templates as "[Explicit FD&R]" to represent one or more of the following dissemination control markings: NOFORN, REL TO, RELIDO, and DISPLAY ONLY. Originators of intelligence information are responsible for determining appropriate classification markings for the information they produce, and for applying the appropriate control markings that implement DNI guidelines for dissemination (foreign and domestic). Follow internal agency procedures for the use of foreign disclosure and release markings with classified information.

(U) Sensitive Compartmented Information without Dissemination Controls Used as a Derivative Source

(U) In accordance with EO 13526, §2.1 and ICD 710, derivative classifiers shall carry forward to any newly created documents the pertinent classification, compartmentation, dissemination controls, disclosure or release authorizations and other warnings.

(U) When sourcing SCI material without dissemination controls, *in the absence of any other applicable guidance* (e.g., classification guide, source document[s], or DNI guidelines for foreign disclosure and release), the appropriate foreign release marking to add is NOFORN per DCID 6/7, Attachment A, Sections A and B. Any other marking used in this sourcing scenario may jeopardize the information and/or the foreign release process.

(U) ENDSEAL

- (U) Authorized Banner Line Marking Title: ENDSEAL
- (U) Authorized Banner Line Abbrevlation: EL
- (U) Authorized Portion Mark: EL
- (U) Example Banner Line: TOP SECRET//EL//SI//[Explicit FD&R]
- (U) Example Portion Mark: (TS//EL//SI//[Explicit FD&R])
- (U) Marking Sponsor/Policy Basis: DNI/National Security Act of 1947, as amended, Title I, §105 (b)(1)

(U//~~FOUO~~) Definition: [Redacted]

- (U) Further Guidance:
 - DCID 6/1
 - ICD 710
 - NSA/CSS Policy 1-41
 - Signals Intelligence Security Regulations (SISR)
 - ENDSEAL Control System Security Manual

(U) Applicability: Agency specific.

- (U) Additional Marking Instructions:
 - Applicable Level(s) of Classification: May be used only with TOP SECRET.
 - For classification guidance refer to the ENDSEAL Control System Security Manual.

(U) Relationship(s) to Other Markings: Requires SI.

(U) Precedence Rules for Banner Line Guidance: All unique SCIs contained in the portion marks must always appear in the banner line.

(U) Commingling Rule(s) Within a Portion: May be combined with other caveated information when appropriate and the EL marking must be conveyed in the portion mark.

(U) Derivative Use (i.e., re-use of information in whole or in part in intelligence products): EL information may be sourced in accordance with relevant IC policy and/or procedures. See above precedence and commingling rules.

(U) Distribution statements, warnings, etc: N/A

(U) Notional Example Page:

TOP SECRET//EL//SI//REL TO USA, CAN, GBR

(TS//EL//SI//REL) This is the portion mark for a portion that is classified TOP SECRET, contains EL and SI information, and is authorized for release to Canada and United Kingdom. This portion is marked for training purposes only.

(U) Note: The classification authority block is required on all US classified NSI. See the ISOO Implementing Directive and General Marking Guidance Section of this document for more information.

TOP SECRET//EL//SI//REL TO USA, CAN, GBR

(U) ECRU

- (U) Authorized Banner Line Marking Title:** ECRU
- (U) Authorized Banner Line Abbreviation:** EU
- (U) Authorized Portion Mark:** EU
- (U) Example Banner Line:** TOP SECRET//EL-EU/SI//[Explicit FD&R]
- (U) Example Portion Mark:** (TS//EL-EU/SI//[Explicit FD&R])
- (U) Marking Sponsor/Policy Basis:** DNI/National Security Act of 1947, as amended, Title I, §105 (b)(1)

(U//~~FOUO~~) Definition:

(U) Further Guidance:

- DCID 6/1
- ICD 710
- NSA/CSS Policy 1-41
- Signals Intelligence Security Regulations (SISR)
- ENDSEAL Control System Security Manual

(U) Applicability: Agency specific.

(U) Additional Marking Instructions:

- Applicable Level(s) of Classification: May be used only with TOP SECRET.
- For classification guidance refer to the ENDSEAL Control System Security Manual.

(U) Relationship(s) to Other Markings: Requires EL and SI.

(U) Precedence Rules for Banner Line Guidance: All unique SCIs contained in the portion marks must always appear in the banner line.

(U) Commingling Rule(s) Within a Portion: May be combined with other caveated information when appropriate and the EL-EU marking must be conveyed in the portion mark.

(U) Derivative Use (i.e., re-use of information in whole or in part in intelligence products): EL-ECRU information may be sourced in accordance with relevant IC policy and/or procedures. See above precedence and commingling rules.

(U) Distribution statements, warnings, etc: N/A

(U) Notional Example Page:

TOP SECRET//EL-ECRU//SI//REL TO USA, CAN, GBR

(TS//EL-EU//SI//REL) This is the portion mark for a portion that is classified TOP SECRET, contains EL-ECRU and SI information, and is authorized for release to Canada and United Kingdom. This portion is marked for training purposes only.

(U) Note: The classification authority block is required on all US classified NSI. See the ISOO Implementing Directive and General Marking Guidance Section of this document for more information.

TOP SECRET//EL-ECRU//SI//REL TO USA, CAN, GBR

(b)(3)

UNCLASSIFIED//~~FOUO~~

[Redacted]

(U) NONBOOK

(U) Authorized Banner Line Marking Title: NONBOOK

(U) Authorized Banner Line Abbreviation: NK

(U) Authorized Portion Mark: NK

(U) Example Banner Line: TOP SECRET//EL-NK/SI//[Explicit FD&R]

(U) Example Portion Mark: (TS//EL-NK/SI//[Explicit FD&R])

(U) Marking Sponsor/Policy Basis: DNI/National Security Act of 1947, as amended, Title I, §105 (b)(1)

(U//~~FOUO~~) Definition: [Redacted]

- (U) Further Guidance:**
- DCID 6/1
 - ICD 710
 - NSA/CSS Policy 1-41
 - Signals Intelligence Security Regulations (SISR)
 - ENDSEAL Control System Security Manual

(U) Applicability: Agency specific.

- (U) Additional Marking Instructions:**
- Applicable Level(s) of Classification: May be used only with TOP SECRET.
 - For classification guidance refer to the ENDSEAL Control System Security Manual.

- (U) Applicable Level(s) of Classification:**
- May be used only with TOP SECRET.
 - For classification guidance refer to the ENDSEAL Control System Security Manual.

(U) Relationship(s) to Other Markings: Requires EL and SI.

(U) Precedence Rules for Banner Line Guidance: All unique SCIs contained in the portion marks must always appear in the banner line.

(U) Commingling Rule(s) Within a Portion: May be combined with other caveated information when appropriate and the EL-NK marking must be conveyed in the portion mark.

(U) Derivative Use (i.e., re-use of information in whole or in part in intelligence products): EL-NK information may be sourced in accordance with relevant IC policy and/or procedures. See above precedence and commingling rules.

(U) Notional Example Page:

TOP SECRET//EL-NK/SI//REL TO USA, CAN, GBR

(TS//EL-NK/SI//REL) This is the portion mark for a portion that is classified TOP SECRET, contains EL and SI information, and is authorized for release to Canada and United Kingdom. This portion is marked for training purposes only.

(U) Note: The classification authority block is required on all US classified NSI. See the ISOO Implementing Directive and General Marking Guidance Section of this document for more information.

TOP SECRET//EL-NK/SI//REL TO USA, CAN, GBR

(U) HCS

- (U) Authorized Banner Line Marking Title:** HCS
- (U) Authorized Banner Line Abbreviation:** HCS
- (U) Authorized Portion Mark:** HCS
- (U) Example Banner Line:** TOP SECRET//HCS//NOFORN
- (U) Example Portion Mark:** (TS//HCS//NF)
- (U) Marking Sponsor/Policy Basis:** DNI/EO 13526, §4.3

(U) Definition: HCS is a sensitive compartmented information (SCI) control system that protects the most sensitive HUMINT operations and information acquired from clandestine and/or uniquely sensitive HUMINT sources, methods, and certain technical collection capabilities, technologies, and methods linked to or supportive of HUMINT.

(U) Further Guidance:

- EO 13526, §4.3
- DCID 6/1
- ICD 304
- ICD 710
- HCS Security Manual
- HCS Classification Guide

(U) Applicability: Agency specific.

(U) Additional Marking Instructions: Applicable Level(s) of Classification: May be used only with TOP SECRET, SECRET, or CONFIDENTIAL.

(U) Relationship(s) to Other Markings: NOFORN is required.

(U) Precedence Rules for Banner Line Guidance: All unique SCIs contained in the portion marks must always appear in the banner line.

(U) Commingling Rule(s) Within a Portion: May be combined with other caveated information when appropriate and the HCS marking must be conveyed in the portion mark.

(U) Derivative Use (i.e., re-use of information in whole or in part in intelligence products): HCS information may be sourced in accordance with relevant IC policy and/or procedures. See above precedence and commingling rules.

(U) Notional Example Page:

SECRET//HCS//NOFORN

(S//HCS//NF) This is the portion mark for a portion that is classified SECRET, contains HCS information, and is not releasable to foreign nationals. This portion is marked for training purposes only.

(U) Note: The classification authority block is required on all US classified NSI. See the ISOO Implementing Directive and General Marking Guidance Section of this document for more information.

SECRET//HCS//NOFORN

[Redacted]

(U//~~FOUO~~) OPERATIONS

(U//~~FOUO~~) Authorized Banner Line Marking Title: [Redacted]

(U//~~FOUO~~) Authorized Banner Line Abbreviation: [Redacted]

(U//~~FOUO~~) Authorized Portion Mark: [Redacted]

(U//~~FOUO~~) Example Banner Line: [Redacted]

(U//~~FOUO~~) Example Portion Mark: [Redacted]

(U) Marking Sponsor/Policy Basis DNI/EO 13526, §4.3

(U//~~FOUO~~) Definition: [Redacted]

(U) Further Guidance:

- EO 13526, §4.3
- ICD 304
- DCID 6/1
- ICD 710
- HCS Program Manual
- HCS Classification Guide

(U) Applicability: Agency specific.

(U) Additional Marking Instructions: Applicable Level(s) of Classification: May be used only with TOP SECRET and SECRET.

(U) Relationship(s) to Other Markings: Requires HCS, ORCON and NOFORN.

(U) Precedence Rules for Banner Line Guidance: All unique SCIs contained in the portion marks must always appear in the banner line.

(U//~~FOUO~~) Commingling Rule(s) Within a Portion: May be combined with other caveated information when appropriate and the [Redacted] marking must be conveyed in the portion mark.

(U//~~FOUO~~) Derivative Use (i.e., re-use of information in whole or in part in intelligence products): [Redacted] information may be sourced in accordance with relevant policy and/or procedures. See above precedence and commingling rules.

(b)(3)

UNCLASSIFIED//~~FOUO~~

[REDACTED]

(U) Notional Example Page is U//~~FOUO~~:

[REDACTED]

[REDACTED]) This is the portion mark for a portion that is classified SECRET, contains [REDACTED] information that is originator controlled, and not releasable to foreign nationals. This portion is marked for training purposes only.

(U) Note: The classification authority block is required on all US classified NSI. See the ISOO Implementing Directive and General Marking Guidance Section of this document for more information.

[REDACTED]

[Redacted]

(U//~~FOUO~~) OPERATIONS [SUB-COMPARTMENT] (up to 6 alphanumeric characters)

(U//~~FOUO~~) Authorized Banner Line Marking Title: [Redacted]

(U//~~FOUO~~) Authorized Banner Line Abbreviation: [Redacted]

(U//~~FOUO~~) Authorized Portion Mark: [Redacted]

(U//~~FOUO~~) Example Banner Line: [Redacted]

(U//~~FOUO~~) Example Portion Mark: [Redacted]

(U//~~FOUO~~) Example Banner Line with Multiple OPERATIONS Identifiers: [Redacted]

(U//~~FOUO~~) Example Portion Mark with Multiple OPERATIONS Identifiers: [Redacted]

(U) Marking Sponsor/Policy Basis: DNI/EO 13526, §4.3

(U//~~FOUO~~) Definition: [Redacted]

- (U) Further Guidance:**
- ICD 304
 - DCID 6/1
 - ICD 710
 - HCS Program Manual
 - HCS Classification Guide

(U) Applicability: Agency specific.

(U) Additional Marking Instructions: Applicable Level(s) of Classification: Requires TOP SECRET or SECRET.

(U//~~FOUO~~) Relationship(s) to Other Markings: [Redacted]

(U) Precedence Rules for Banner Line Guidance: All unique SCIs contained in the portion marks must always appear in the banner line.

(U//~~FOUO~~) Commingling Rule(s) Within a Portion: May be combined with other caveated information when appropriate and the [Redacted] sub-compartment marking(s) must be conveyed in the portion mark.

(U//~~FOUO~~) Derivative Use (i.e., re-use of information in whole or in part in intelligence products): [Redacted] sub-compartment information may be sourced in accordance with relevant policy and/or procedures. See above precedence and commingling rules.

(b)(3)

UNCLASSIFIED//~~FOUO~~

[REDACTED]

(U) Notional Example Page is U//~~FOUO~~:

[REDACTED]

[REDACTED] This is the portion mark for a portion that is classified TOP SECRET, contains [REDACTED] information, is originator controlled, and not releasable to foreign nationals. This portion is marked for training purposes only.

(U) Note: The classification authority block is required on all US classified NSI. See the ISOO Implementing Directive and General Marking Guidance Section of this document for more information.

[REDACTED]

[Redacted]

(U//~~FOUO~~) PRODUCT

(U//~~FOUO~~) Authorized Banner Line Marking Title: [Redacted]

(U//~~FOUO~~) Authorized Banner Line Abbreviation: [Redacted]

(U//~~FOUO~~) Authorized Portion Mark: [Redacted]

(U//~~FOUO~~) Example Banner Line: [Redacted]

(U//~~FOUO~~) Example Portion Mark: [Redacted]

(U) Marking Sponsor/Policy Basis DNI/EO 13526, §4.3

(U//~~FOUO~~) Definition: [Redacted]

(U) Further Guidance:

- ICD 304
- DCID 6/1
- ICD 710
- HCS Program Manual
- HCS Classification Guide

(U) Applicability: Agency specific.

(U) Additional Marking Instructions: Applicable Level(s) of Classification: May be used only with TOP SECRET and SECRET.

(U) Relationship(s) to Other Markings: Requires HCS and NOFORN.

(U) Precedence Rules for Banner Line Guidance: All unique SCIs contained in the portion marks must always appear in the banner line.

(U//~~FOUO~~) Commingling Rule(s) Within a Portion: May be combined with other caveated information when appropriate and the [Redacted] marking must be conveyed in the portion mark.

(U//~~FOUO~~) Derivative Use (i.e., re-use of information in whole or in part in intelligence products): [Redacted] information may be sourced in accordance with relevant policy and/or procedures. See above precedence and commingling rules.

(b)(3)

UNCLASSIFIED//~~FOUO~~

[REDACTED]

(U) Notional Example Page is U//~~FOUO~~:

[REDACTED]

[REDACTED] This is the portion mark for a portion that is classified SECRET, contains [REDACTED] information that is not releasable to foreign nationals. This portion is marked for training purposes only.

(U) Note: The classification authority block is required on all US classified NSI. See the ISOO Implementing Directive and General Marking Guidance Section of this document for more information.

[REDACTED]

[REDACTED]

(U//~~FOUO~~) PRODUCT [SUB-COMPARTMENT] (up to 6 alphanumeric characters)

(U//~~FOUO~~) Authorized Banner Line Marking Title: [REDACTED]

(U//~~FOUO~~) Authorized Banner Line Abbreviation: [REDACTED]

(U//~~FOUO~~) Authorized Portion Mark: [REDACTED]

(U//~~FOUO~~) Example Banner Line: [REDACTED]

(U//~~FOUO~~) Example Portion Mark: [REDACTED]

(U//~~FOUO~~) (U//~~FOUO~~) Example Banner Line with Multiple PRODUCT Identifiers: [REDACTED]

(U//~~FOUO~~) Example Portion Mark with Multiple PRODUCT Identifiers: [REDACTED]

(U) Marking Sponsor/Policy Basis: DNI/EO 13526, §4.3

(U//~~FOUO~~) Definition: [REDACTED]

- (U) Further Guidance:**
- ICD 304
 - DCID 6/1
 - ICD 710
 - HCS Program Manual
 - HCS Classification Guide

(U) Applicability: Agency specific.

(U) Additional Marking Instructions: Applicable Level(s) of Classification: Requires TOP SECRET or SECRET.

(U//~~FOUO~~) Relationship(s) to Other Markings: [REDACTED]

(U) Precedence Rules for Banner Line Guidance: All unique SCIs contained in the portion marks must always appear in the banner line.

(U//~~FOUO~~) Commingling Rule(s) Within a Portion: May be combined with other caveated information when appropriate and the [REDACTED] sub-compartment(s) marking must be conveyed in the portion mark.

(U//~~FOUO~~) Derivative Use (i.e., re-use of information in whole or in part in intelligence products): [REDACTED] sub-compartment information may be sourced in accordance with relevant policy and/or procedures. See above precedence and commingling rules.

(b)(3)

UNCLASSIFIED//~~FOUO~~

[REDACTED]

(U) Notional Example Page is U//~~FOUO~~:

[REDACTED]

[REDACTED] This is the portion mark for a portion that is classified TOP SECRET, contains [REDACTED] information, is originator controlled, and not releasable to foreign nationals. This portion is marked for training purposes only.

(U) Note: The classification authority block is required on all US classified NSI. See the ISOO Implementing Directive and General Marking Guidance Section of this document for more information.

[REDACTED]

UNCLASSIFIED//~~FOUO~~

(U) KLONDIKE

(U) Authorized Banner Line Marking Title: KLONDIKE

(U) Authorized Banner Line Abbreviation: KDK

(U) Authorized Portion Mark: KDK

(U) Example Banner Line: TOP SECRET//KDK//NOFORN

(U) Example Portion Mark: (TS//KDK//NF)

(U) Marking Sponsor/Policy Basis: DNI/EO 13526, §4.3

(U) Definition: KLONDIKE is a sensitive compartmented information (SCI) control system designed to protect sensitive Geospatial Intelligence (GEOINT).

(U) Further Guidance:

- DNI Memo, M-07-7202, 27 February 2007
- DCID 6/1
- ICD 710
- NSG Manual CS 9201
- KLONDIKE Control System Security Manual

(U) Applicability: Agency specific.

(U) Additional Marking Instructions:

- Applicable Level(s) of Classification: May be used only with TOP SECRET or SECRET.
- "KCS" is not an authorized marking. It is an authorized abbreviation for the KLONDIKE Control System and should not be used in portion or banner markings.

(U) Relationship(s) to Other Markings:

- Requires NOFORN.
- May be used with RSEN.

(U) Precedence Rules for Banner Line Guidance: All unique SCIs contained in the portion marks must always appear in the banner line.

(U) Commingling Rule(s) Within a Portion: May be combined with other caveated information when appropriate and the KDK marking must be conveyed in the portion mark.

(U) Derivative Use (i.e., re-use of information in whole or in part in intelligence products): KDK information may be sourced in accordance with relevant IC policy and/or procedures. See above precedence and commingling rules.

(U) Notional Example Page:

TOP SECRET//KDK//NOFORN

(TS//KDK//NF) This is the portion mark for a portion that is classified TOP SECRET, contains KLONDIKE information, and is not releasable to foreign nationals. This portion is marked for training purposes only.

(U) Note: The classification authority block is required on all US classified NSI. See the ISOO Implementing Directive and General Marking Guidance Section of this document for more information.

TOP SECRET//KDK//NOFORN

(U) BLUEFISH

(U) Marking Title: BLUEFISH

(U) Authorized Banner Line Abbreviation: BLFH

(U) Authorized Portion Mark: BLFH

(U) Example Banner Line: TOP SECRET//KDK-BLFH//NOFORN

(U) Example Portion Mark: (TS//KDK-BLFH//NF)

(U) Marking Sponsor/Policy Basis: DNI/KDK Policy

(U) Definition: A KLONDIKE (KDK) compartment.

(U) Further Guidance:

- EO 13526 §4.3
- ICD 710
- DCID 6/1
- NSGI SC 9204, KLONDIKE Control System (KCS) Instruction
- NSGM CS 9301, KLONDIKE Control System SCG

(U) Applicability: Agency specific.

(U) Additional Marking Instructions:

- Applicable Level(s) of Classification: May be used with TOP SECRET or SECRET
- "KCS" is not an authorized marking. It is an authorized abbreviation for the KLONDIKE Control System and should not be used in portion or banner markings.

(U) Relationship(s) to Other Markings:

- Requires KDK.
- Requires NOFORN.
- May not be used with RSEN.
- May not be used with IMCON.

(U) Precedence Rules for Banner Line Guidance: All unique SCIs contained in the portion marks must always appear in the banner line.

(U) Commingling Rule(s) Within a Portion: May be combined with other caveated information when appropriate and the KDK-BLFH marking must be conveyed in the portion mark.

(U) Derivative Use (re-use of information in whole or in part into intelligence products): KDK-BLFH information may be sourced in accordance with relevant IC policy and/or procedures. See above precedence and commingling rules.

(U) Notional Example Page:

TOP SECRET//KDK-BLFH//NOFORN

(TS//KDK-BLFH//NF) This is the portion mark for a portion that is classified TOP SECRET, contains KLONDIKE-BLUEFISH information, and is not releasable to foreign nationals. This portion is marked for training purposes only.

(U) Note: The classification authority block is required on all US classified NSI. See the ISOO Implementing Directive and General Marking Guidance Section of this document for more information.

TOP SECRET//KDK-BLFH//NOFORN

(U) BLUEFISH [SUB-COMPARTMENT] (up to 6 alphanumeric characters)

- (U) Authorized Banner Line Marking Title:** BLUEFISH [SUB-COMPARTMENT] (up to 6 alphanumeric characters)
- (U) Authorized Banner Line Abbreviation:** BLFH [SUB-COMPARTMENT] (up to 6 alphanumeric characters)
- (U) Authorized Portion Mark:** BLFH [SUB-COMPARTMENT] (up to 6 alphanumeric characters)
- (U) Example Banner Line:** TOP SECRET//KDK-BLFH ABCD//NOFORN
- (U) Example Portion Mark:** (TS//KDK-BLFH ABCD//NF)
- (U) Marking Sponsor/Policy Basis:** DNI/KDK Policy
- (U) Definition:** A KDK-BLFH sub-compartment.
- (U) Further Guidance:**
- EO 13526 §4.3
 - ICD 710
 - DCID 6/1
 - NSGI SC 9204, KLONDIKE Control System (KCS) Instruction
 - NSGM CS 9301, KLONDIKE Control System SCG

(U) Applicability: Agency specific.

(U) Additional Marking Instructions:

- Applicable Level(s) of Classification: Requires TOP SECRET or SECRET.
- "KCS" is not an authorized marking. It is an authorized abbreviation for the KLONDIKE Control System and should not be used in portion or banner markings.

(U) Relationship(s) to Other Markings:

- Requires KDK-BLFH.
- Requires NOFORN.
- May not be used with RSEN.
- May not be used with IMCON.

(U) Precedence Rules for Banner Line Guidance: All unique SCIs contained in the portion marks must always appear in the banner line.

(U) Commingling Rule(s) Within a Portion: May be combined with other caveated information when appropriate and the KDK-BLFH sub-compartment marking must be conveyed in the portion mark.

(U) Derivative Use (i.e., re-use of information in whole or in part in intelligence products): KDK-BLFH compartment information may be sourced in accordance with relevant IC policy and/or procedures. See above precedence and commingling rules.

(U) Notional Example Page 1:

TOP SECRET//KDK-BLFH ABCD//NOFORN

(TS//KDK-BLFH ABCD//NF) This is the portion mark for a portion that is classified TOP SECRET, contains KLONDIKE-BLUEFISH ABCD information, and is not releasable to foreign nationals. This portion is marked for training purposes only.

(U) Note: The classification authority block is required on all US classified NSI. See the ISOO Implementing Directive and General Marking Guidance Section of this document for more information.

TOP SECRET//KDK-BLFH ABCD//NOFORN

(U) Notional Example Page 2:

TOP SECRET//KDK-BLFH ABCD-IDIT//NOFORN

(TS//KDK-BLFH ABCD//NF) This is the portion mark for a portion that is classified TOP SECRET, contains KLONDIKE-BLUEFISH ABCD information, and is not releasable to foreign nationals. This portion is marked for training purposes only.

(TS//KDK-IDIT//NF) This is the portion mark for a portion that is classified TOP SECRET, contains KLONDIKE-IDITAROD information, and is not releasable to foreign nationals. This portion is marked for training purposes only.

(U) Note: The classification authority block is required on all US classified NSI. See the ISOO Implementing Directive and General Marking Guidance Section of this document for more information.

TOP SECRET//KDK-BLFH ABCD-IDIT//NOFORN

(U) IDITAROD

(U) Marking Title: IDITAROD

(U) Authorized Banner Line Abbreviation: IDIT

(U) Authorized Portion Mark: IDIT

(U) Example Banner Line: TOP SECRET//KDK-IDIT//NOFORN

(U) Example Portion Mark: (TS//KDK-IDIT//NF)

(U) Marking Sponsor/Policy Basis: DNI//KDK Policy

(U) Definition: A KLONDIKE (KDK) compartment.

(U) Further Guidance:

- EO 13526 §4.3
- ICD 710
- DCID 6/1
- NSGI SC 9204, KLONDIKE Control System (KCS) Instruction
- NSGM CS 9301, KLONDIKE Control System SCG

(U) Applicability: Agency specific.

(U) Additional Marking Instructions:

- Applicable Level(s) of Classification: May be used with TOP SECRET or SECRET.
- "KCS" is not an authorized marking. It is an authorized abbreviation for the KLONDIKE Control System and should not be used in portion or banner markings.

(U) Relationship(s) to Other Markings:

- Requires KDK.
- Requires NOFORN.
- May be not used with RSEN.
- May not be used with IMCON.

(U) Precedence Rules for Banner Line Guidance: All unique SCIs contained in the portion marks must always appear in the banner line.

(U) Commingling Rule(s) Within a Portion: May be combined with other caveated information when appropriate and the KDK-IDIT marking must be conveyed in the portion mark.

(U) Derivative Use (re-use of information in whole or in part into intelligence products): KDK-IDIT information may be sourced in accordance with relevant IC policy and/or procedures. See above precedence and commingling rules.

(U) Notional Example Page:

TOP SECRET//KDK-IDIT//NOFORN

(TS//KDK-IDIT//NF) This is the portion mark for a portion that is classified TOP SECRET, contains KLONDIKE-IDITAROD information, and is not releasable to foreign nationals. This portion is marked for training purposes only.

(U) Note: The classification authority block is required on all US classified NSI. See the ISOO Implementing Directive and General Marking Guidance Section of this document for more information.

TOP SECRET//KDK-IDIT//NOFORN

(U) IDITAROD [SUB-COMPARTMENT] (up to 6 alphanumeric characters)

- (U) Authorized Banner Line Marking Title:** IDITAROD [SUB-COMPARTMENT] (up to 6 alphanumeric characters)
- (U) Authorized Banner Line Abbreviation:** IDIT [SUB-COMPARTMENT] (up to 6 alphanumeric characters)
- (U) Authorized Portion Mark:** IDIT [SUB-COMPARTMENT] (up to 6 alphanumeric characters)
- (U) Example Banner Line:** TOP SECRET//KDK-IDIT ABCD//NOFORN
- (U) Example Portion Mark:** (TS//KDK-IDIT ABCD//NF)
- (U) Marking Sponsor/Policy Basis:** DNI/KDK Policy

(U) Definition: A KDK-IDIT sub-compartment.

(U) Further Guidance:

- EO 13526 §4.3
- ICD 710
- DCID 6/1
- NSGI SC 9204, KLONDIKE Control System (KCS) Instruction
- NSGM CS 9301, KLONDIKE Control System SCG

(U) Applicability: Agency specific.

(U) Additional Marking Instructions:

- Applicable Level(s) of Classification: Requires TOP SECRET or SECRET.
- "KCS" is not an authorized marking. It is an authorized abbreviation for the KLONDIKE Control System and should not be used in portion or banner markings.

(U) Relationship(s) to Other Markings:

- Requires KDK-IDIT.
- Requires NOFORN.
- May not be used with RSEN.
- May not be used with IMCON.

(U) Precedence Rules for Banner Line Guidance: All unique SCIs contained in the portion marks must always appear in the banner line.

(U) Commingling Rule(s) Within a Portion: May be combined with other caveated information when appropriate and the KDK-IDIT sub-compartment marking(s) must be conveyed in the portion mark.

(U) Derivative Use (i.e., re-use of information in whole or in part in intelligence products): KDK-IDIT sub-compartment information may be sourced in accordance with relevant IC policy and/or procedures. See above precedence and commingling rules.

(U) Notional Example Page 1:

TOP SECRET//KDK-IDIT ABCD//NOFORN

(TS//KDK-IDIT ABCD//NF) This is the portion mark for a portion that is classified TOP SECRET, contains KLONDIKE-IDITAROD ABCD information, and is not releasable to foreign nationals. This portion is marked for training purposes only.

(U) Note: The classification authority block is required on all US classified NSI. See the ISOO Implementing Directive and General Marking Guidance Section of this document for more information.

TOP SECRET//KDK-IDIT ABCD//NOFORN

(U) Notional Example Page 2:

TOP SECRET//KDK-IDIT ABCD-KAND//NOFORN

(TS//KDK-IDIT ABCD//NF) This is the portion mark for a portion that is classified TOP SECRET, contains KLONDIKE-IDITAROD ABCD information, and is not releasable to foreign nationals. This portion is marked for training purposes only.

(TS//KDK-KAND//NF) This is the portion mark for a portion that is classified TOP SECRET, contains KLONDIKE-KANDIK information, and is not releasable to foreign nationals. This portion is marked for training purposes only.

(U) Note: The classification authority block is required on all US classified NSI. See the ISOO Implementing Directive and General Marking Guidance Section of this document for more information.

TOP SECRET//KDK-IDIT ABCD-KAND//NOFORN

(U) KANDIK

(U) Marking Title: KANDIK

(U) Authorized Banner Line Abbreviation: KAND

(U) Authorized Portion Mark: KAND

(U) Example Banner Line: TOP SECRET//KDK-KAND//NOFORN

(U) Example Portion Mark: (TS//KDK-KAND//NF)

(U) Marking Sponsor/Policy Basis: DNI/KDK Policy

(U) Definition: A KLONDIKE (KDK) compartment.

(U) Further Guidance:

- EO 13526 §4.3
- ICD 710
- DCID 6/1
- NSGI SC 9204, KLONDIKE Control System (KCS) Instruction
- NSGM CS 9301, KLONDIKE Control System SCG

(U) Applicability: Agency specific.

(U) Additional Marking Instructions:

- Applicable Level(s) of Classification: May be used with TOP SECRET or SECRET
- "KCS" is not an authorized marking. It is an authorized abbreviation for the KLONDIKE Control System and should not be used in portion or banner markings.

(U) Relationship(s) to Other Markings:

- Requires KDK.
- Requires NOFORN.
- May not be used with RSEN.
- May not be used with IMCON.

(U) Precedence Rules for Banner Line Guidance: All unique SCIs contained in the portion marks must always appear in the banner line.

(U) Commingling Rule(s) Within a Portion: May be combined with other caveated information when appropriate and the KDK-KAND marking must be conveyed in the portion mark.

(U) Derivative Use (re-use of information in whole or in part into intelligence products): KDK-KAND information may be sourced in accordance with relevant IC policy and/or procedures. See above precedence and commingling rules.

(U) Notional Example Page:

TOP SECRET//KDK-KAND//NOFORN

(TS//KDK-KAND//NF) This is the portion mark for a portion that is classified TOP SECRET, contains KLONDIKE-KANDIK information, and is not releasable to foreign nationals. This portion is marked for training purposes only.

(U) Note: The classification authority block is required on all US classified NSI. See the ISOO Implementing Directive and General Marking Guidance Section of this document for more information.

TOP SECRET//KDK-KAND//NOFORN

(U) KANDIK [SUB-COMPARTMENT] (up to 6 alphanumeric characters)

(U) Authorized Banner Line Marking Title: KANDIK [SUB-COMPARTMENT] (up to 6 alphanumeric characters)

(U) Authorized Banner Line Abbreviation: KAND [SUB-COMPARTMENT] (up to 6 alphanumeric characters)

(U) Authorized Portion Mark: KAND [SUB-COMPARTMENT] (up to 6 alphanumeric characters)

(U) Example Banner Line: TOP SECRET//KDK-KAND ABCD//NOFORN

(U) Example Portion Mark: (TS//KDK-KAND ABCD//NF)

(U) Marking Sponsor/Policy Basis: DNI/KDK Policy

(U) Definition: A KDK-KAND sub-compartment.

(U) Further Guidance:

- EO 13526 §4.3
- ICD 710
- DCID 6/1
- NSGI SC 9204, KLONDIKE Control System (KCS) Instruction
- NSGM CS 9301, KLONDIKE Control System SCG

(U) Applicability: Agency specific.

(U) Additional Marking Instructions:

- **Applicable Level(s) of Classification:** Requires TOP SECRET or SECRET.
- "KCS" is not an authorized marking. It is an authorized abbreviation for the KLONDIKE Control System and should not be used in portion or banner markings.

(U) Relationship(s) to Other Markings:

- Requires KDK-KAND.
- Requires NOFORN.
- May not be used with RSEN.
- May not be used with IMCON.

(U) Precedence Rules for Banner Line Guidance: All unique SCIs contained in the portion marks must always appear in the banner line.

(U) Commingling Rule(s) Within a Portion: May be combined with other caveated information when appropriate and the KDK-KAND sub-compartment marking(s) must be conveyed in the portion mark.

(U) Derivative Use (i.e., re-use of information in whole or in part in intelligence products): KDK-KAND sub-compartment information may be sourced in accordance with relevant IC policy and/or procedures. See above precedence and commingling rules.

(U) Notional Example Page 1:

TOP SECRET//KDK-KAND ABCD//NOFORN

(TS//KDK-KAND ABCD//NF) This is the portion mark for a portion that is classified TOP SECRET, contains KLONDIKE-KANDIK ABCD information, and is not releasable to foreign nationals. This portion is marked for training purposes only.

(U) Note: The classification authority block is required on all US classified NSI. See the ISOO Implementing Directive and General Marking Guidance Section of this document for more information.

TOP SECRET//KDK-KAND ABCD//NOFORN

(U) Notional Example Page 2:

TOP SECRET//KDK-IDIT-KAND ABCD//NOFORN

(TS//KDK-KAND ABCD//NF) This is the portion mark for a portion that is classified TOP SECRET, contains KLONDIKE-KANDIK ABCD information, and is not releasable to foreign nationals. This portion is marked for training purposes only.

(TS//KDK-IDIT//NF) This is the portion mark for a portion that is classified TOP SECRET, contains KLONDIKE-IDITAROD information, and is not releasable to foreign nationals. This portion is marked for training purposes only.

(U) Note: The classification authority block is required on all US classified NSI. See the ISOO Implementing Directive and General Marking Guidance Section of this document for more information.

TOP SECRET//KDK-IDIT-KAND ABCD//NOFORN

(U) RESERVE

(U) Authorized Banner Line Marking Title:	RESERVE
(U) Authorized Banner Line Abbreviation:	RSV
(U) Authorized Portion Mark:	RSV
(U) Example Banner Line:	SECRET//RSV-ABC//[Explicit FD&R]
(U) Example Portion Mark:	(S//RSV-ABC//[Explicit FD&R])
(U) Marking Sponsor/Policy Basis:	DNI/DCI Memorandum for the NRO Director of Security, 10 January 2005

(U) Definition: RESERVE is a sensitive compartmented information (SCI) control system designed to protect NRO information pertaining to new sources and methods during the research and development acquisition phases.

(U) Further Guidance:

- DCI Memo, 10 January 2005
- DCID 6/1
- ICD 710
- RESERVE Control System Security Manual, 20 May 2005, v. 1.0

(U) Applicability: Agency specific. NRO authorization required.

(U) Additional Marking Instructions:

- Applicable Level(s) of Classification: May be used only with TOP SECRET or SECRET.
- All RESERVE information is contained within individual compartments; the RSV marking may not be used alone and requires the associated compartment.

(U) Relationship(s) to Other Markings: May be used with other control markings listed in the *Register*.

(U) Precedence Rules for Banner Line Guidance: All unique SCIs contained in the portion marks must always appear in the banner line.

(U) Commingling Rule(s) Within a Portion: May be combined with other caveated information when appropriate and the relevant RSV marking must be conveyed in the portion mark.

(U) Derivative Use (i.e., re-use of information in whole or in part in intelligence products): RSV information may not be sourced.

(U) Notional Example Page:

TOP SECRET//RSV-ABC//NOFORN

(TS//RSV-ABC//NF) This is the portion mark for a portion that is classified TOP SECRET, contains RESERVE information from the ABC compartment, and is not releasable to foreign nationals. This portion is marked for training purposes only.

(U) Note: The classification authority block is required on all US classified NSI. See the ISOO Implementing Directive and General Marking Guidance Section of this document for more information.

TOP SECRET//RSV-ABC//NOFORN

(U) RESERVE-[COMPARTMENT] (3 alphanumeric characters)

(U) Authorized Banner Line Marking Title:	RSV-[COMPARTMENT] (3 alphanumeric characters)
(U) Authorized Banner Line Abbreviation:	RSV-[COMPARTMENT] (3 alphanumeric characters)
(U) Authorized Portion Mark:	RSV-[COMPARTMENT] (3 alphanumeric characters)
(U) Example Banner Line:	TOP SECRET//RSV-123//[Explicit FD&R]
(U) Example Portion Mark:	(TS//RSV-123//[Explicit FD&R])
(U) Example Banner Line with Multiple Compartments:	TOP SECRET//RSV-ABC-123//[Explicit FD&R]
(U) Marking Sponsor/Policy Basis:	DNI/DCI Memorandum for the NRO Director of Security, 10 January 2005

(U) Definition: An RSV compartment.

(U) Further Guidance:

- DCI Memo, 10 January 2005
- DCID 6/1
- ICD 710
- RESERVE Control System Security Manual, 20 May 2005, v. 1.0

(U) Applicability: Agency specific. NRO authorization required.

(U) Additional Marking Instructions:

- Applicable Level(s) of Classification: May be used only with TOP SECRET or SECRET.
- Requires RESERVE.
- The RSV compartment consists of 3 alphanumeric characters.

(U) Relationship(s) to Other Markings: May be used with other control markings listed in the *Register*.

(U) Precedence Rules for Banner Line Guidance: All unique SCIs contained in the portion marks must always appear in the banner line.

(U) Commingling Rule(s) Within a Portion: May be combined with other caveated information when appropriate and the relevant RSV compartment marking must be conveyed in the portion mark.

(U) Derivative Use (i.e., re-use of information in whole or in part in intelligence products): RSV compartment information may not be sourced.

(U) Notional Example Page:

TOP SECRET//RSV-ABC-123//NOFORN

(TS//RSV-ABC//NF) This is the portion mark for a portion that is classified TOP SECRET, contains RSV-ABC information, and is not releasable to foreign nationals. This portion is marked for training purposes only.

(TS//RSV-123//NF) This is the portion mark for a portion that is classified TOP SECRET, contains RSV-123 information, and is not releasable to foreign nationals. This portion is marked for training purposes only.

(U) Note: The classification authority block is required on all US classified NSI. See the ISOO Implementing Directive and General Marking Guidance Section of this document for more information.

TOP SECRET//RSV-ABC-123//NOFORN

(U) SPECIAL INTELLIGENCE

(U) Authorized Banner Line Marking Title:	SI
(U) Authorized Banner Line Abbreviation:	SI
(U) Authorized Portion Mark:	SI
(U) Example Banner Line:	TOP SECRET//SI//[Explicit FD&R]
(U) Example Portion Mark:	(TS//SI//[Explicit FD&R])
(U) Marking Sponsor/Policy Basis:	DNI/National Security Act of 1947 (as amended) Title I, §105 (b)(1)

(U) Definition: Special Intelligence, or SI, is a sensitive compartmented information (SCI) control system designed to protect technical and intelligence information derived from the monitoring of foreign communications signals by other than the intended recipients. The SI control system protects SI-derived information and information relating to SI activities, capabilities, techniques, process and procedures.

(U) Further Guidance:

- DCID 6/1
- ICD 710
- NSA/CSS COMINT Classification Guide

(U) Applicability: Agency specific.

(U) Additional Marking Instructions: Applicable Level(s) of Classification: May be used only with: TOP SECRET, SECRET or CONFIDENTIAL.

(U) Relationship(s) to Other Markings: May be used with other control markings listed in the *Register* when authorized.

(U) Precedence Rules for Banner Line Guidance: All unique SCIs contained in the portion marks must always appear in the banner line.

(U) Commingling Rule(s) Within a Portion: May be combined with other caveated information when appropriate and the relevant SI marking must be conveyed in the portion mark.

(U) Notes: The COMINT title for the Special Intelligence (SI) control system is no longer valid.

(U) Derivative Use (i.e., re-use of information in whole or in part in intelligence products): SI information may be sourced in accordance with relevant policy and/or procedures. See above precedence and commingling rules.

(U) Notional Example Page:

SECRET//SI//REL TO USA, FVEY

(S//SI//REL TO USA, FVEY) This is the portion mark for a portion that is classified SECRET and contains SI information that is releasable to Australia, Canada, New Zealand, and United Kingdom within a US classified document. This portion is marked for training purposes only.

(U) Note: The classification authority block is required on all US classified NSI. See the ISOO Implementing Directive and General Marking Guidance Section of this document for more information.

SECRET//SI//REL TO USA, FVEY

(U) SI-[COMPARTMENT] (3 alpha characters)

(U) Authorized Banner Line Marking Title:	SI-[COMPARTMENT] (3 alpha characters)
(U) Authorized Banner Line Abbreviation:	SI-[COMPARTMENT] (3 alpha characters)
(U) Authorized Portion Mark:	SI-[COMPARTMENT] (3 alpha characters)
(U) Example Banner Line:	TOP SECRET//SI-ABC//[Explicit FD&R]
(U) Example Portion Mark:	(TS//SI-ABC//[Explicit FD&R])
(U) Example Banner Line with Multiple Compartments:	TOP SECRET//SI-ABC-EFG-G PXYZ//ORCON//[Explicit FD&R]
(U) Marking Sponsor/Policy Basis:	DNI/National Security Act of 1947, as amended, Title I, §105 (b)(1)

(U) Definition: SI compartment.

(U) Further Guidance:

- DCID 6/1
- ICD 710
- NSA/CSS COMINT Classification Guide

(U) Applicability: Agency specific.

(U) Additional Marking Instructions:

- Applicable Level(s) of Classification: Requires TOP SECRET.
- Requires SI.
- SI compartments consist of 3 alpha characters.
- SCI type indicators used to group compartments, such as "ECI", shall not be used in the banner line and portion mark. For example, information formerly marked TS//SI-ECI ABC will now be marked TS//SI-ABC.

(U) Relationship(s) to Other Markings: May be used with other control markings listed in the *Register* when authorized.

(U) Precedence Rules for Banner Line Guidance: Multiple compartments within the SI control system shall be listed alphanumerically separated by a hyphen.

(U) Commingling Rule(s) Within a Portion: May be combined with other caveated information when appropriate and the SI compartment marking must be conveyed in the portion mark.

(U) Derivative Use (i.e., re-use of information in whole or in part in intelligence products): SI compartment information may be sourced in accordance with relevant policy and/or procedures. See above precedence and commingling rules.

(U) Notional Example Page:

TOP SECRET//SI-ABC//NOFORN

(TS//SI-ABC//NF) This is the portion mark for a portion that is classified TOP SECRET, contains SI-ABC information, and is not releasable to foreign nationals. This portion is marked for training purposes only.

(U) Note: The classification authority block is required on all US classified NSI. See the ISOO Implementing Directive and General Marking Guidance Section of this document for more information.

TOP SECRET//SI-ABC//NOFORN

(U) GAMMA

- (U) Authorized Banner Line Marking Title:** GAMMA
- (U) Authorized Banner Line Abbreviation:** G
- (U) Authorized Portion Mark:** G
- (U) Example Banner Line:** TOP SECRET//SI-G//ORCON/[Explicit FD&R]
- (U) Example Portion Mark:** (TS//SI-G//OC/[Explicit FD&R])
- (U) Marking Sponsor/Policy Basis:** DNI/National Security Act of 1947, as amended, Title I, §105 (b)(1)

(U) Definition: An SI compartment.

(U) Further Guidance:

- DCID 6/1
- ICD 710
- NSA/CSS COMINT Classification Guide

(U) Applicability: Agency specific.

(U) Additional Marking Instructions: Applicable Level(s) of Classification: Requires TOP SECRET.

(U) Relationship(s) to Other Markings: Requires SI and ORCON.

(U) Precedence Rules for Banner Line Guidance: All unique SCIs contained in the portion marks must always appear in the banner line.

(U) Commingling Rule(s) Within a Portion: May be combined with other caveated information when appropriate and the SI-G marking must be conveyed in the portion mark.

(U) Derivative Use (i.e., re-use of information in whole or in part in intelligence products): SI-GAMMA information may be sourced in accordance with relevant policy and/or procedures. See above precedence and commingling rules.

(U) Notional Example Page:

TOP SECRET//SI-G//ORCON/NOFORN

(TS//SI-G//OC/NF) This is the portion mark for a portion that is classified TOP SECRET, contains SI-GAMMA information, is originator controlled, and not releasable to foreign nationals. This portion is marked for training purposes only.

(U) Note: The classification authority block is required on all US classified NSI. See the ISOO Implementing Directive and General Marking Guidance Section of this document for more information.

TOP SECRET//SI-G//ORCON/NOFORN

(U) GAMMA [SUB-COMPARTMENT] (4 alpha characters)

(U) Authorized Banner Line Marking Title:	GAMMA [SUB-COMPARTMENT] (4 alpha characters)
(U) Authorized Banner Line Abbreviation:	G [SUB-COMPARTMENT] (4 alpha characters)
(U) Authorized Portion Mark:	G [SUB-COMPARTMENT] (4 alpha characters)
(U) Example Banner Line:	TOP SECRET//SI-G ABCD//ORCON/[Explicit FD&R]
(U) Example Portion Mark:	(TS//SI-G ABCD//OC/[Explicit FD&R])
(U) Example Banner Line with Multiple GAMMA Identifiers:	TOP SECRET//SI-G ABCD EFGH//ORCON/[Explicit FD&R]
(U) Marking Sponsor/Policy Basis:	DNI/National Security Act of 1947, as amended, Title I, §105 (b)(1)

(U) Definition: An SI-GAMMA sub-compartment.

(U) Further Guidance:

- DCID 6/1
- ICD 710
- NSA/CSS COMINT Classification Guide

(U) Applicability: Agency specific.

(U) Additional Marking Instructions: Applicable Level(s) of Classification: Requires TOP SECRET.

(U) Relationship(s) to Other Markings: Requires SI, G, and ORCON.

(U) Precedence Rules for Banner Line Guidance: All unique SCIs contained in the portion marks must always appear in the banner line.

(U) Commingling Rule(s) Within a Portion: May be combined with other caveated information when appropriate and the SI-G sub-compartment marking(s) must be conveyed in the portion mark.

(U) Notes: Multiple GAMMA identifiers must be listed in alphabetical order, with a space to separate each identifier. For example: SI-GAMMA ABCD EFGH WXYZ.

(U) Derivative Use (i.e., re-use of information in whole or in part in intelligence products): SI-GAMMA sub-compartment information may be sourced in accordance with relevant policy and/or procedures. See above precedence and commingling rules.

(U) Notional Example Page:

TOP SECRET//SI-G ABCD//ORCON/NOFORN

(TS//SI-G ABCD//OC/NF) This is the portion mark for a portion that is classified TOP SECRET, contains SI-GAMMA ABCD information, is originator controlled, and not releasable to foreign nationals. This portion is marked for training purposes only.

(U) Note: The classification authority block is required on all US classified NSI. See the ISOO Implementing Directive and General Marking Guidance Section of this document for more information.

TOP SECRET//SI-G ABCD//ORCON/NOFORN

(U) TALENT KEYHOLE

(U) Authorized Banner Line Marking Title:	TALENT KEYHOLE
(U) Authorized Banner Line Abbreviation:	TK
(U) Authorized Portion Mark:	TK
(U) Example Banner Line:	SECRET//TK//[Explicit FD&R]
(U) Example Portion Mark:	(S//TK//[Explicit FD&R])
(U) Marking Sponsor/Policy Basis:	DNI/White House Memorandum of Aug 26, 1960

(U) Definition: Talent Keyhole, or TK, is a sensitive compartmented information (SCI) control system designed to protect information and activities related to space-based collection of imagery, signals, measurement and signature intelligence, certain products, processing, and exploitation techniques, and the design, acquisition and operation of reconnaissance satellites.

(U) Further Guidance:

- DCID 6/1
- ICD 710
- Talent Keyhole Control System Manual
- National System for GEOINT (NSG) GEOINT-Security-Classification Guide
- DIA/DT Policy Series
- Integrated NRO Classification Guide (INCG) 1.0, 13 February 2012
- Signals Intelligence Security Regulations (SISR)

(U) Applicability: Agency specific.

(U) Additional Marking Instructions: Applicable Level(s) of Classification: May be used only with TOP SECRET or SECRET.

(U) Relationship(s) to Other Markings: May require RSEN for imagery product.

(U) Precedence Rules for Banner Line Guidance: All unique SCIs contained in the portion marks must always appear in the banner line.

(U) Commingling Rule(s) Within a Portion: May be combined with other caveated information when appropriate and the TK marking must be conveyed in the portion mark.

(U) Derivative Use (i.e., re-use of information in whole or in part in intelligence products): TK information may be sourced in accordance with relevant policy and/or procedures. See above precedence and commingling rules.

(U) Notional Example Page:

SECRET//TK//RELIDO

(S//TK//RELIDO) This is the portion mark for a portion that is classified SECRET and contains TALENT KEYHOLE information, which the originator has determined is releasable by an information disclosure official. This portion is marked for training purposes only.

(U) Note: The classification authority block is required on all US classified NSI. See the ISOO Implementing Directive and General Marking Guidance Section of this document for more information.

SECRET//TK//RELIDO

5. (U) Special Access Program Markings

(U) Special Access Program (SAP) markings are used to denote classified information that requires extraordinary protection as allowed by EO 13526.

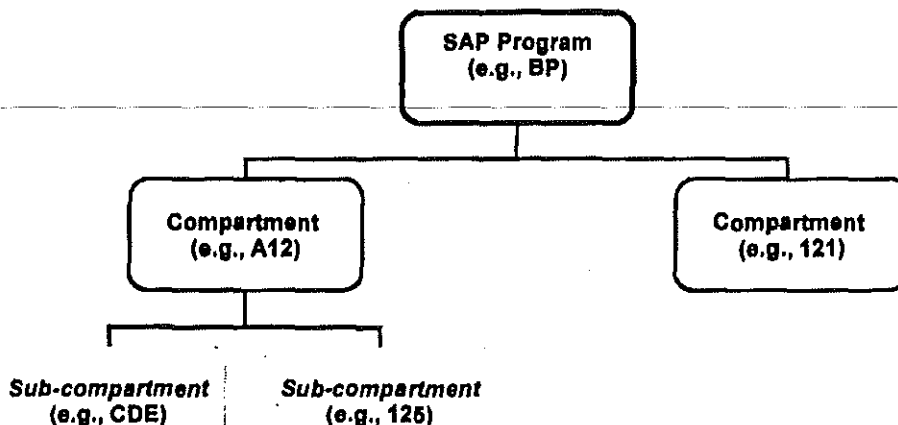
(U) SAP markings take the form:

- SPECIAL ACCESS REQUIRED-[program identifier] or abbreviated as SAR-[program identifier abbreviation]

(U) A program identifier is the program's assigned nickname, codeword, or abbreviation. Multiple SAR program identifiers may be applied if applicable. Multiple program identifiers are listed in alphanumeric order. When multiple SAR values are used, the marking takes the form:

- //SPECIAL ACCESS REQUIRED-[program identifier]-[compartment] [sub-compartment]/[program identifier], or abbreviated as
- //SAR-[program identifier abbreviation]-[compartment] [sub-compartment]/[program identifier abbreviation].
Example: SECRET//SAR-XXX-YYY 123/ZZZ.

(U) Within a SAP, there may be compartments and sub-compartments used to further protect and/or distinguish information within the program. Figure 4 illustrates the basic hierarchical structure of a SAP. Depiction of the hierarchical structure of a SAP below the program identifier in the banner line or portion mark is *optional*.



Sample banner line SAP category as depicted: //SAR-BP-A12 CDE 125-121//

(U) Figure 4: *Optional* SAP Hierarchical Structure

(U) For the purpose of succinctness in the banner and portion mark, the IC SAP Marking Standard *is not intended to show direct hierarchy/structure beyond or beneath the sub-compartment level*. To display a program beyond the sub-compartment level, move the subordinate program up to the sub-compartment level and list the sub-compartment(s) in alphanumeric order. In this manner, the relationship to the compartment will be shown, but because the sub-compartments are listed alphabetically, direct hierarchy of the sub-compartment(s) will not be shown. Refer to the syntax rules below and Table 2 for additional guidance and a marking sample.

(U) All SAP programs and compartments/sub-compartments are unpublished. For all SAP markings, use the following syntax rules for both portion marks and banner lines:

- Use a double forward slash ("/") to separate the SAP category from the preceding category (i.e., Classification or SCI.)
- The first value in the SAP category will be the SAP category indicator, either "SPECIAL ACCESS REQUIRED-" or "SAR-" (authorized abbreviation.)
- The hyphen appearing with the SAP category indicator is not a marking separator, it is considered part of the SAP category indicator for marking syntax purposes.
- If multiple SAP program identifiers are applicable, each subsequent program identifier shall be listed in alphanumeric order separated by a single forward slash ("/") without interjected spaces.
- The SAP category indicator shall not be repeated if multiple SAP programs are applicable.
- Compartment(s) (if any), shall be kept with the SAP program identifier, listed alphanumerically, and separated by a hyphen ("-") without interjected spaces.
- Sub-compartment(s) (if any), shall be kept with the compartment, listed alphanumerically, and separated by a single space.

(U) **Note:** Reflecting SAP program/control system hierarchy below the program/control system level in the portion or banner markings is optional and based on operational requirements.

(U) The sample banner below illustrates the syntax rules for the SAP Control Marking category. The separators have been enlarged and bolded for illustrative purposes. Note the first hyphen is not bold as it is part of the SAP category identifier and not considered a marking separator. Refer to Table 2 below the sample banner for a listing of each marking category and marking used in the sample:

SECRET//SAR-BP-J12 J54-K15/CD-YYY 456 689/XR-XRA RB//NOFORN

(U) All portions in the table below are UNCLASSIFIED.

Marking Category	Markings
US Classification Level	SECRET
SAP Programs	BP is a SAP program CD is a SAP program XR is a SAP program
SAP Compartments	J12 is a compartment of BP K15 is a compartment of BP YYY is a compartment of CD XRA is a compartment of XR
SAP Sub-Compartments	J54 is a sub-compartment of J12 under BP 456 is a sub-compartment of YYY under CD 689 is a sub-compartment of YYY under CD RB is a sub-compartment of XRA under XR
Dissemination Control Markings	NOFORN

(U) Table 2: Sample Banner Marking Categories and Markings

(U) ICD 710 Foreign Disclosure and Release Markings on Classified Intelligence Information

(U) Classified information, as defined by and under the purview of ICD 710, shall be explicitly marked for appropriate foreign disclosure and release at the portion and banner level. This requirement is reflected throughout the marking templates as "[Explicit FD&R]" to represent one or more of the following dissemination control markings: NOFORN, REL

[REDACTED]

TO, RELIDO, and DISPLAY ONLY. Originators of intelligence information are responsible for determining appropriate classification markings for the information they produce, and for applying the appropriate control markings that implement DNI guidelines for dissemination (foreign and domestic). Follow internal agency procedures for the use of foreign disclosure and release markings with classified information.

(U) ICD 710 is not applicable to classified military information falling under the purview of National Policy and Procedures for the Disclosure of Classified Military Information to Foreign Governments and International Organizations (short title: National Disclosure Policy-1 (NDP-1)). Within the Department of Defense, application of foreign release markings is accomplished by the Foreign Disclosure Officer (FDO) when foreign release is needed.

(U) Derivative Use of Special Access Program Intelligence Information Without Dissemination Controls

(U) In accordance with EO 13526, §2.1 and ICD 710, derivative classifiers shall carry forward to any newly created documents the pertinent classification, compartmentation, dissemination controls, disclosure or release authorizations and other warnings.

(U) When sourcing from SAP intelligence material without dissemination controls, *in the absence of any other applicable guidance* (e.g., classification guide, source document[s], or DNI guidelines for foreign disclosure and release), the appropriate foreign release marking to add is NOFORN. Any other marking used in this sourcing scenario may jeopardize the information and/or the foreign release process.

(U) Derivative Use of Non-IC Special Access Program Information Without Dissemination Controls

(U) When sourcing from non-IC originated SAP material without dissemination controls, *in the absence of a formal agreement or notification between the non-IC organization and the IC element on handling requirements*, contact the originating agency or local foreign disclosure office for further guidance.

(U) SPECIAL ACCESS REQUIRED

- (U) Authorized Banner Line Marking Title:** SPECIAL ACCESS REQUIRED-[program identifier]
- (U) Authorized Banner Line Abbreviation:** SAR-[program identifier] or SAR-[program identifier abbreviation]
- (U) Authorized Portion Mark:** SAR-[program identifier abbreviation]
- (U) Example Banner Line:** TOP SECRET//SAR-BUTTER POPCORN//[Explicit FD&R]
or
TOP SECRET//SAR-BP//[Explicit FD&R]
- (U) Example Banner Line with Multiple SARs:** TOP SECRET//SAR-BUTTER POPCORN/SODA//[Explicit FD&R]
or
TOP SECRET//SAR-BP/SDA//[Explicit FD&R]
- (U) Example Portion Mark:** (TS//SAR-BP//[Explicit FD&R])
- (U) Marking Sponsor/Policy Basis:** DNI, DoD, DOE, DoS, DHS, Attorney General/EO 13526, §4.3
- (U) Definition:** SAP markings denote classified information that requires extraordinary protection as allowed by EO 13526. A program identifier is a program's assigned nickname, codeword, or abbreviation.

(U) Further Guidance:

- DoDM 5200.01-V2, Feb 24, 2012
- DOE 471.2
- ICD 710

(U) Applicability: Agency specific.

(U) Additional Marking Instructions:

- Applicable Level(s) of Classification: May be used only with: TOP SECRET, SECRET or CONFIDENTIAL.
- A program identifier abbreviation is the two or three-character designator for the program.
- Program identifiers may be spelled out or abbreviated.

(U) Precedence Rules for Banner Line Guidance: Unique SAPs contained in portion marks must always appear in the banner line.

(U) Notes: Depicting the hierarchical structure of an SAP program below the program identifier is optional and dependent upon operational requirements. It is not mandatory to reflect a SAP program's hierarchy in either the portion marks or banner line.

(U) Notional Example Page:

TOP SECRET//SAR-BP//NOFORN

(TS//SAR-BP//NF) This is the portion mark for a portion that is classified TOP SECRET, contains SPECIAL ACCESS REQUIRED-BUTTER POPCORN information, and is not releasable to foreign nationals. "BP" is the abbreviation for the BUTTER POPCORN program identifier in this example. This portion is marked for training purposes only.

(U) Note: The classification authority block is required on all US classified NSI. See the ISOO Implementing Directive and General Marking Guidance Section of this document for more information.

TOP SECRET//SAR-BP//NOFORN

6. (U) Atomic Energy Act Information Markings

(U) Atomic Energy Act (AEA) information markings are used in US products to denote the presence of classified Restricted Data (RD), Formerly Restricted Data (FRD), and/or Transclassified Foreign Nuclear Information (TFNI) information, and/or unclassified DoD Unclassified Controlled Nuclear Information (DOE UCNI) and DOE Unclassified Controlled Nuclear Information (DOE UCNI).

(U) Restricted Data is information concerning: (1) the design, manufacture, or utilization of atomic weapons; (2) the production of special nuclear material; or (3) the use of special nuclear material in the production of energy, except for that information that has been declassified or removed from the RD category under section 142 of the AEA. (Note: the Department of Energy (DOE) makes that determination.) Formerly Restricted Data is information concerning: military utilization of atomic weapons that has been removed from the RD category under section 142d of the AEA. Transclassified Foreign Nuclear Information is information concerning the atomic energy programs of other nations that has been removed from the RD category for use by the Intelligence Community and is safeguarded as NSI under EO 13526. When RD information is transclassified and is safeguarded as NSI, it is marked "TFNI" and is handled, protected, and classified under the provisions of EO 13526 and the ISOO Implementing Directive.

(U) Atomic Energy Act information is classified and controlled under the Atomic Energy Act, as amended, and 10CFR1045. National Security Information (NSI) is classified and controlled by Presidential Order in EO 13526 and the ISOO Implementing Directive, and pursuant to 10CFR1045, the DOE "manages the Government-wide system for the classification and declassification of RD and FRD in accordance with the Atomic Energy Act." DOE is the classification and declassification authority for all RD information and shares joint classification and declassification authority with DoD for all FRD information. The declassification process for TFNI is governed by the Secretary of Energy under the Atomic Energy Act.

(U) The automatic declassification of documents containing RD or FRD information is prohibited. Per ISOO, to the extent practicable, the commingling of RD or FRD information with NSI classified under EO 13526 should be avoided. When it is not practicable to avoid such commingling, the marking requirements in EO 13526, the ISOO Implementing Directive and ISOO Notice 2011-02, as well as the marking requirements in 10CFR1045 must be followed. If a classified document contains both AEA information and National Security Information (NSI), the "Declassify On" line of the classification authority block shall not include a declassification date or event and shall instead be annotated with "Not Applicable (or N/A) to RD/FRD/TFNI portions" and "See source list for NSI portions." The NSI source list, as described in ISOO Implementing Directive, Section 2001.22(c)(1)(iii), must include the declassification instruction for each of the source documents classified under EO 13526.

(U) The AEA information markings included in the *Register* are:

- RESTRICTED DATA (RD)
 - CRITICAL NUCLEAR WEAPON DESIGN INFORMATION (CNWDI)
 - SIGMA (SIGMA)
- FORMERLY RESTRICTED DATA (FRD)
 - SIGMA (SIGMA)
- DOD UNCLASSIFIED CONTROLLED NUCLEAR INFORMATION (DOD UCNI)
- DOE UNCLASSIFIED CONTROLLED NUCLEAR INFORMATION (DOE UCNI)
- TRANSClassIFIED FOREIGN NUCLEAR INFORMATION (TFNI)

(U) RESTRICTED DATA

- (U) Authorized Banner Line Marking Title:** RESTRICTED DATA
- (U) Authorized Banner Line Abbreviation:** RD
- (U) Authorized Portion Mark:** RD
- (U) Example Banner Line:** SECRET//RESTRICTED DATA//[Explicit FD&R]
- (U) Example Portion Mark:** (S//RD//[Explicit FD&R])
- (U) Marking Sponsor/Policy Basis:** DOE/ Atomic Energy Act of 1954, as amended, §141-143

(U) Definition: All data concerning (1) design, manufacture, or utilization of atomic weapons; (2) the production of special nuclear material; or (3) the use of special nuclear material in the production of energy, but shall not include data declassified or removed from the Restricted Data category pursuant to Section 142 of the Atomic Energy Act of 1954, as amended.

(U) Further Guidance:

- 10CFR1045
- EO 13526, §3.3(g) and 6.2(a)
- ISOO Implementing Directive, 32CFR2001, §2001.24 (h), §2001.30 (p) and §2001.34 (b) (8)
- DOE Order 475.2A, *Identifying Classified Information*

(U) Applicability: DOE is the proponent. As designated on a case-by-case basis, other IC agencies as designated by joint classification guides for the specific RD subject matter.

(U) Additional Marking Instructions:

- Applicable Level(s) of Classification: May be used only with TOP SECRET, SECRET or CONFIDENTIAL.
- DOE documents that solely contain DOE material shall record the identity of the classifier and the classification guide or source document title and date used to classify the document on the first page (10CFR1045).
- Automatic declassification of documents containing RD information is prohibited. If a document contains both RD information and National Security Information (NSI), the "Declassify On" line of the classification authority block shall not include a declassification date or event, and shall instead be annotated with "Not Applicable (or N/A) to RD portions" and "See source list for NSI portions."
- The NSI source list, as described in ISOO Implementing Directive, Section 2001.22(c)(1)(iii), must include the declassification instruction for each of the source documents classified under EO 13526.

(U) Relationship(s) to Other Markings:

- CNWDI can only be used with RD as designated by DOE or joint DOE-DoD guidance.
- SIGMA 14, 15, 18, and 20 can only be used with TOP SECRET and SECRET RD in accordance with DOE Order 452.8.

(U) Precedence Rules for Banner Line Guidance:

- If the RD marking is contained in any portion of a document, it must appear in the banner line.
- If RD and FRD portions are in a document, the RD takes precedence in the banner line and the RD marking is conveyed in the banner line. In this case, only the RD warning statement shall be used.

(U) Commingling Rule(s) Within a Portion:

- Where possible, RD should be separated into a separate annex. If not possible, the RD marking must be indicated in the portion mark.
- If RD&FRD information are in the same portion, only RD is used in the portion mark. RD takes precedence over FRD in the portion mark.

(U) Notes:

- DOE manages government-wide RD classification and declassification system.
- RD is not releasable to foreign nationals/governments unless authorized. Contact the Joint Atomic Energy Information Exchange Group (JAEIG) at (703)767-4463 when a foreign disclosure/release determination is needed.
- DOE is the classification and declassification authority for all RD information.

(U) Derivative Use (i.e., re-use of information in whole or in part in intelligence products): RD information may be sourced provided that:

- The source document is portion marked.
- Contact the JAEIG at (703)767-4463 when a foreign disclosure/release determination is needed.
- It is recommended that the RD portion be placed in a separate attachment/appendix.
- Automatic declassification of documents containing RD information is prohibited. If a document contains both RD information and National Security Information (NSI), the "Declassify On" line of the classification authority block shall not include a declassification date or event, and shall instead be annotated with "Not Applicable (or N/A) to RD portions" and "See source list for NSI portions".
- The derivative classifier authorizing the marking must be trained in accordance with 10CFR1045.

(U) Distribution Statements, Warnings, etc: All documents containing RD information are required to include the following RD warning statement on the first page: **"(U) RESTRICTED DATA: This document contains Restricted Data as defined in the Atomic Energy Act of 1954, as amended. Unauthorized disclosure is subject to Administrative and Criminal Sanctions."**

(U) Notional Example Page:

SECRET//RESTRICTED DATA//NOFORN

(S//RD//NF) This is the portion mark for a portion that is classified SECRET and containing RESTRICTED DATA, and is not releasable to foreign nationals. This portion is marked for training purposes only.

(S//NF) This is the portion mark for a portion of NSI that is classified SECRET and is not releasable to foreign nationals. This portion is marked for training purposes only.

[Insert RD Warning]

(U) Note: Automatic declassification of documents containing RD information is prohibited. If a document contains both RD information and National Security Information (NSI), the "Declassify On" line of the classification authority block shall not include a declassification date or event, and shall instead be annotated with "Not Applicable (or N/A) to RD portions" and "See source list for NSI portions."

SECRET//RESTRICTED DATA//NOFORN

(U) CRITICAL NUCLEAR WEAPON DESIGN INFORMATION

(U) Authorized Banner Line Marking Title:	CRITICAL NUCLEAR WEAPON DESIGN INFORMATION
(U) Authorized Banner Line Abbreviation:	CNWDI
(U) Authorized Portion Mark:	CNWDI
(U) Example Banner Line:	SECRET//RD-CNWDI//[Explicit FD&R]
(U) Example Portion Mark:	(S//RD-CNWDI//[Explicit FD&R])
(U) Marking Sponsor/Policy Basis:	DoD/Atomic Energy Act of 1954, as amended

(U) Definition: TOP SECRET or SECRET Restricted Data (RD) information revealing the theory of operation or design of the components of a fission or thermonuclear bomb, warhead, demolition munitions, or test device. Specifically excluded are the following: information concerning arming, fusing, and firing systems; limited-life components; and total contained quantities of fissionable, fusionable, and high-explosive materials by type. Among these excluded items are the components that DoD personnel set, maintain, operate, test, or replace.

(U) Further Guidance:

- 10CFR1045
- DoDM 5200.01-V2, Feb 24, 2012
- DoD 5210.02
- DOE Order 452.8

(U) Applicability: DoD components/contractors and properly cleared personnel of other Federal Agencies.

(U) Additional Marking Instructions: Applicable Level(s) of Classification: May be used only with TOP SECRET or SECRET.

(U) Relationship(s) to Other Markings:

- Must be used as a subset of RD in accordance with DOE or joint DOE-DoD guidance.

(U) Precedence Rules for Banner Line Guidance: If the CNWDI marking is contained in any portion of a document, it must appear in the banner line.

(U) Commingling Rule(s) Within a Portion: CNWDI-marked information must be segregated from classified NSI portions.

(U) Notes:

- Dissemination of Restricted Data to any nation or regional defense organization or to a representative thereof is prohibited except in accordance with the AEA.
- DOE is the classification and declassification authority for all RD information.
- Automatic declassification of documents containing RD information is prohibited. If a document contains both RD-CNWDI information and National Security Information (NSI), the "Declassify On" line of the classification authority block shall not include a declassification date or event, and shall instead be annotated with "Not Applicable (or N/A) to RD portions" and "See source list for NSI portions."
- The NSI source list, as described in ISOO Implementing Directive, Section 2001.22(c)(1)(iii), must include the declassification instruction for each of the source documents classified under EO 13526.

[REDACTED]

(U) **Derivative Use (i.e., re-use of information in whole or in part in intelligence products):** RD information may be sourced provided that:

- The source document is portion marked.
- It is recommended that the RD portion be placed in a separate attachment/appendix.
- Declassification date/event is prohibited on the document (refer RD portions to DOE for declassification)
- The derivative classifier authorizing the marking must be trained in accordance with 10CFR1045.
- IAW DoD Policy, DoD marks both banner line and portion mark as "-N" appended to the RD marking (i.e., banner would be marked as "RESTRICTED DATA-N" and portion mark would be marked as "RD-N". When sourcing, re-mark "N" as "CNWDI".

(U) **Distribution Statements, Warnings, etc:**

- All documents containing CNWDI information are required to include the following identifying statement placed on the first page: **"Critical Nuclear Weapons Design Information. DoD Instruction 5210.02 Applies."**
- All documents containing RD information are required to include the following RD warning statement on the first page: **"(U) RESTRICTED DATA: This document contains Restricted Data as defined in the Atomic Energy Act of 1954, as amended. Unauthorized disclosure is subject to Administrative and Criminal Sanctions."**

(U) **Notional Example Page:**

SECRET//RD-CNWDI//NOFORN

(S//RD-CNWDI//NF) This is the portion mark for a portion that is classified SECRET RESTRICTED DATA CRITICAL NUCLEAR WEAPON DESIGN INFORMATION, and is not releasable to foreign nationals. This portion is marked for training purposes only.

(S//NF) This is the portion mark for a portion of NSI that is classified SECRET and is not releasable to foreign nationals. This portion is marked for training purposes only.

[Insert RD Warning]

[Insert CNWDI Statement]

(U) **Note:** Automatic declassification of documents containing RD information is prohibited. If a document contains both RD-CNWDI information and National Security Information (NSI), the "Declassify On" line of the classification authority block shall not include a declassification date or event, and shall instead be annotated with "Not Applicable (or N/A) to RD portions" and "See source list for NSI portions."

SECRET//RD-CNWDI//NOFORN

(U) SIGMA [#]

(U) Authorized Banner Line Marking Title:	SIGMA [#]
(U) Authorized Banner Line Abbreviation:	None
(U) Authorized Portion Mark:	SG [#]
(U) Example Banner Line:	SECRET//RD-SIGMA 20//[Explicit FD&R]
(U) Example Portion Mark:	(S//RD-SG 20//[Explicit FD&R])
(U) Example Banner Line with multiple SIGMAs:	SECRET//RD-SIGMA 18 20//[Explicit FD&R]
(U) Marking Sponsor/Policy Basis:	DOE/Atomic Energy Act of 1954, as amended, §141-143

(U) Definition: A subset of TOP SECRET and SECRET RD information relating to the design, manufacture, or use (including theory, development, storage, characteristics, performance, and effects) of atomic weapons or atomic weapon components. This includes information incorporated in or relating to nuclear explosive devices. SIGMAs provide a structure for limiting authorized access to weapons information to only those who have a need to know that specific category of RD. The current categories of the nuclear weapon data described above are SIGMA 14, SIGMA 15, SIGMA 18, and SIGMA 20.

(U) Further Guidance:

- 10CFR1045, *Nuclear Classification and Declassification*
- EO 13526, §3.3(g) and 6.2(a)
- ISOO Implementing Directive, 32CFR2001, §2001.24 (h), §2001.30 (p) and §2001.34 (b) (8)
- DOE Order 475.2A, *Identifying Classified Information*
- DOE Order 452.8, *Control of Nuclear Weapon Data*

(U) Applicability: DOE is the proponent. Other IC agencies are designated on a case-by-case basis, by joint classification guides for the specific RD subject matter.

(U) Additional Marking Instructions:

- Applicable Level(s) of Classification: May be used only with TOP SECRET and SECRET.
- SIGMA # currently represents one or more of the following numbers: 14, 15, 18, and 20.
- Multiple SIGMA numbers shall be listed in numerical order with a space preceding each value.
- Automatic declassification of documents containing RD information is prohibited. If a document contains both AEA information and National Security Information (NSI), the "Declassify On" line of the classification authority block shall not include a declassification date or event, and shall instead be annotated with "Not Applicable (or N/A) to RD portions" and "See source list for NSI portions."

(U) Relationship(s) to Other Markings: Requires RD in accordance with DOE or Joint DOE-DoD guidance.

(U) Precedence Rules for Banner Line Guidance:

- If the SIGMA marking is contained in any portion of a document, it must appear in the banner line with all unique SIGMA numbers identified in the portion marks.
- If both RD and FRD SIGMA [#] portions are in a document, the RD-SIGMA [#] takes precedence over the FRD-SIGMA [#] in the banner line. List all SIGMA numbers in the banner line, regardless of whether the information was RD or FRD.

(U) Commingling Rule(s) Within a Portion:

- Where possible, SIGMA-marked information should be separated into a separate annex. If not possible, RD-SG [#] must be indicated in the portion mark.
- RD-SIGMA-marked information shall not be commingled in the same portion that has a REL TO portion unless an equivalent positive release determination has been made.
- If both RD and FRD SIGMA [#] information are in the same portion, the RD-SIGMA [#] takes precedence over the FRD-SIGMA [#] in the portion mark. List all SIGMA numbers in the portion mark, regardless of whether the information was RD or FRD. **Note:** It is not required, but highly recommended that the RD and FRD SIGMA information is segregated into separate portions in a document, so the FRD portion can be more readily shared within DoD and other government agencies.

(U) Notes:

- RD is not releasable to foreign nationals/governments unless authorized. Contact the Joint Atomic Energy Information Exchange Group (JAEIG) at (703)767-4463 when a foreign disclosure/release determination is needed.
- RD information marked with obsolete SIGMAs (1-5 and 9-13) does not require review or re-marking while at rest (or when simply accessed). When information containing legacy SIGMAs is to be shared outside the originating agency, or where the information is to be incorporated, paraphrased, restated, or reintroduced into the working environment from a resting state, the obsolete SIGMAs shall not be carried forward to any newly created information; rather, they shall be converted to the appropriate current SIGMA categories. Check with your organization's RD Management Official to determine how to convert the obsolete markings to the current SIGMA categories.

(U) Derivative Use (i.e., re-use of information in whole or in part in intelligence products): It may be extracted provided that:

- The source document is portion marked.
- Contact the Joint Atomic Energy Information Exchange Group (JAEIG) at (703) 767-4464 when a foreign disclosure/release determination is needed.
- RD-SIGMA information may only be disseminated to persons who have a need-to-know and the appropriate clearance and SIGMA access authorization. To determine if a person has the appropriate SIGMA access authorization, contact the National Nuclear Security Administration at (202) 586-5014 or (202) 586-6502.
- It is recommended that any RD portions be put in a separate attachment/appendix.
- Declassification date/event is prohibited on the document (Refer RD portions to DOE for declassification).

(U) Distribution Statements, Warnings, etc: All documents containing RD information are required to include the following RD warning statement on the first page: **"(U) RESTRICTED DATA: This document contains Restricted Data as defined in the Atomic Energy Act of 1954, as amended. Unauthorized disclosure is subject to Administrative and Criminal Sanctions."**

(U) Notional Example Page:

SECRET//RESTRICTED DATA-SIGMA 20//NOFORN

(S//RD-SG 20//NF) This is the portion mark for a portion that is classified SECRET RESTRICTED DATA, SIGMA 20, and is not releasable to foreign nationals. This portion is marked for training purposes only.

(S//NF) This is the portion mark for a portion of NSI that is classified SECRET and is not releasable to foreign nationals. This portion is marked for training purposes only.

[Insert RD Warning]

(U) Note: Automatic declassification of documents containing RD information is prohibited. If a document contains both RD-SIGMA information and National Security Information (NSI), the "Declassify On" line of the classification authority block shall not include a declassification date or event, and shall instead be annotated with "Not Applicable (or N/A) to RD portions" and "See source list for NSI portions."

SECRET//RESTRICTED DATA-SIGMA 20//NOFORN

(U) FORMERLY RESTRICTED DATA

(U) Authorized Banner Line Marking Title:	FORMERLY RESTRICTED DATA
(U) Authorized Banner Line Abbreviation:	FRD
(U) Authorized Portion Mark:	FRD
(U) Example Banner Line:	SECRET//FRD//[Explicit FD&R]
(U) Example Portion Mark:	(S//FRD//[Explicit FD&R])
(U) Marking Sponsor/Policy Basis:	DOE and DoD/Atomic Energy Act of 1954, as amended, §141-143

(U) Definition: Information removed from the Restricted Data category upon a joint determination by the Departments of Energy and Defense that such information relates primarily to the military utilization of atomic weapons and that such information can be safeguarded adequately as classified defense information.

(U) Further Guidance:

- 10CFR1045, *Nuclear Classification and Declassification*
- EO 13526, §3.3(g) and 6.2(a)
- ISOO Implementing Directive, 32CFR2001, §2001.24 (h), §2001.30 (p) and §2001.34 (b) (8)
- DOE Order 475.2A, *Identifying Classified Information*
- DOE Order 471.6, *Information Security*

(U) Applicability: Agency specific. DOE and DoD are joint proponents. Other agencies are authorized to classify FRD provided they follow the provisions in 10CFR1045, which require determinations to be made by appropriately trained individuals using classification guidance or source documents.

(U) Additional Marking Instructions:

- Applicable Level(s) of Classification: May be used only with TOP SECRET, SECRET or CONFIDENTIAL.
- DOE documents that solely contain DOE material shall record the identity of the classifier and the classification guide or source document title and date used to classify the document on the first page (10CFR1045).

(U) Relationship(s) to Other Markings: SIGMA 14, 15, 18, and 20 can only be used with TOP SECRET and SECRET FRD in accordance with DOE Order 452.8.

(U) Precedence Rules for Banner Line Guidance:

- If the FRD marking is contained in any portion of a document, it must appear in the banner line (except when RD is present.)
- If RD and FRD portions are in a document, the RD marking takes precedence in the banner line and is conveyed in the banner line. In this case, only the RD warning statement shall be used.

(U) Commingling Rule(s) Within a Portion:

- Where possible, FRD should be separated into a separate annex.
- If not possible, the FRD marking must be indicated in the portion mark, except if RD information is also present in the portion then only RD is used in the portion mark. RD takes precedence over FRD in the portion mark.

(U) Notes:

- DOE manages the government-wide FRD classification and declassification system.
- DoD and DOE have joint responsibility for identifying and declassifying FRD.



- FRD is not releasable to foreign nationals/governments unless authorized. Contact the Joint Atomic Energy Information Exchange Group (JAEIG) at (703)767-4463 when a foreign disclosure/release determination is needed.
- Automatic declassification of documents containing FRD information is prohibited. If a document contains both FRD information and National Security Information (NSI), the "Declassify On" line of the classification authority block shall not include a declassification date or event, and shall instead be annotated with "Not Applicable (or N/A) to FRD portions" and "See source list for NSI portions."
- The NSI source list, as described in ISOO Implementing Directive, Section 2001.22(c)(1)(iii), must include the declassification instruction for each of the source documents classified under EO 13526.

(U) Derivative Use (i.e., re-use of information in whole or in part in intelligence products): FRD may be extracted provided that:

- The source document is portion marked.
- Contact the JAEIG at (703)767-4463 when a foreign disclosure/release determination is needed.
- It is recommended that the FRD portion be placed in a separate attachment/appendix.
- Declassification date/event is prohibited on the document (refer FRD portions to DOE for declassification)
- The derivative classifier authorizing the marking must be trained in accordance with 10CFR1045.

(U) Distribution Statements, Warnings, etc: All documents containing FRD information (but no RD information) are required to include the following FRD warning statement on the first page: **"(U) FORMERLY RESTRICTED DATA unauthorized disclosure is subject to administrative and criminal sanctions. Handle as RESTRICTED DATA in foreign dissemination. Section 144b, Atomic Energy Act of 1954."**

(U) Notional Example Page:

SECRET//FORMERLY RESTRICTED DATA//NOFORN

(S//FRD//NF) This is the portion mark for a portion that is classified SECRET FORMERLY RESTRICTED DATA, and is not releasable to foreign nationals. This portion is marked for training purposes only.

(C//NF) This is the portion mark for a portion of NSI that is classified CONFIDENTIAL and is not releasable to foreign nationals. This portion is marked for training purposes only.

[Insert FRD Warning]

(U) Note: Automatic declassification of documents containing FRD information is prohibited. If a document contains both FRD information and National Security Information (NSI), the "Declassify On" line of the classification authority block shall not include a declassification date or event, and shall instead be annotated with "Not Applicable (or N/A) to FRD portions" and "See source list for NSI portions."

SECRET//FORMERLY RESTRICTED DATA//NOFORN

(U) SIGMA [#]

(U) Authorized Banner Line Marking Title:	SIGMA [#]
(U) Authorized Banner Line Abbreviation:	None
(U) Authorized Portion Mark:	SG [#]
(U) Example Banner Line:	SECRET//FRD-SIGMA 14//[Explicit FD&R]
(U) Example Banner Line with multiple SIGMAs:	SECRET//FRD-SIGMA 14 18//[Explicit FD&R]
(U) Example Portion Mark:	(S//FRD-SG 14)
(U) Marking Sponsor/Policy Basis:	DOE/Atomic Energy Act of 1954, as amended, §141-143

(U) Definition: A subset of TOP SECRET and SECRET FRD information relating to nuclear weapon data concerning the design, manufacture, or utilization (including theory, development, storage, characteristics, performance, and effects) of atomic weapons or atomic weapon components. This includes information incorporated in or relating to nuclear explosive devices. SIGMAs provide a structure for limiting authorized access to weapon information to only those who have a need-to-know for that specific segment of FRD.

(U) Further Guidance:

- 10CFR1045
- EO 13526, §3.3(g) and 6.2(a)
- ISOO Implementing Directive, 32CFR2001, §2001.24 (h), §2001.30 (p) and §2001.34 (b) (8)
- DOE Order 475.2A, *Identifying Classified Information*
- DOE Order 452.8, *Control of Nuclear Weapon Data*

(U) Applicability: Agency specific. Department of Energy (DOE) is the proponent. Other IC-agencies as designated on a case-by-case basis and by joint classification guides for the specific FRD subject matter.

(U) Additional Marking Instructions:

- Applicable Level(s) of Classification: May be used only with TOP SECRET and SECRET.
- SIGMA # currently represents one or more of the following numbers: 14, 15, 18, and 20.
- Multiple SIGMA numbers shall be listed numerically with a space preceding each value.

(U) Relationship(s) to Other Markings:

- Requires FRD as designated by joint DOE-DoD guidance. See FRD marking sections for additional marking guidance.
- SIGMA 14, 15, 18, and 20 can only be used with TOP SECRET and SECRET FRD in accordance with DOE Order 452.8.

(U) Precedence Rules for Banner Line Guidance:

- If the SIGMA marking is contained in any portion of a document, it must appear in the banner line.
- If both RD and FRD SIGMA [#] portions are in a document, the RD-SIGMA [#] takes precedence over the FRD-SIGMA [#] in the banner line. List all SIGMA numbers in the banner line, regardless of whether the information was RD or FRD.

(U) Commingling Rule(s) Within a Portion:

- Where possible, SIGMA-marked information should be separated into a separate annex. If not possible, FRD-SG [#] must be indicated in the portion mark (unless RD is present, then RD appears in the portion mark).
- Information marked FRD-SIGMA shall not be commingled in the same portion with REL TO information unless an equivalent positive release determination has been made. Contact the Joint Atomic Energy Information Exchange Group (JAEIG) at (703)767-4463 when a foreign disclosure/release determination is needed.
- If both RD and FRD SIGMA [#] information are in the same portion, the RD-SIGMA [#] takes precedence over the FRD-SIGMA [#] in the portion mark. List all SIGMA numbers in the portion mark, regardless of whether the information was RD or FRD. **Note:** It is not required, but highly recommended that the RD and FRD SIGMA information is segregated into separate portions in a document, so the FRD portion can be more readily shared within DoD and other government agencies.

(U) Notes:

- FRD is not releasable to foreign nationals/governments unless authorized. Contact the JAEIG at (703)767-4463 when a foreign disclosure/release determination is needed.
- DOE manages the classification and declassification system for all FRD information and shares joint classification and declassification authority with DoD for all FRD information.
- Automatic declassification of documents containing FRD information is prohibited. If a document contains both FRD information and National Security Information (NSI), the "Declassify On" line of the classification authority block shall not include a declassification date or event, and shall instead be annotated with "Not Applicable (or N/A) to FRD portions" and "See source list for NSI portions."
- The NSI source list, as described in ISOO Implementing Directive, Section 2001.22(c)(1)(iii), must include the declassification instruction for each of the source documents classified under EO 13526.
- FRD information marked with obsolete SIGMAs (1-5 and 9-13) does not require review or remarking while at rest (or when accessed). When information containing legacy SIGMAs is to be shared outside the originating agency, or where the information is to be incorporated, paraphrased, restated, or reintroduced into the working environment from a resting state, the obsolete SIGMAs shall not be carried forward to any newly created information, rather they shall be converted to the appropriate current SIGMA categories. Check with your organization's RD Management Official to determine how to convert the obsolete markings to the current SIGMA categories.

(U) Derivative Use (i.e., re-use of information in whole or in part in intelligence products): It may be extracted provided that:

- The source document is portion marked.
- It is recommended that any FRD portions be put in a separate attachment/appendix.
- Declassification date/event is prohibited on the document (Refer FRD portions to DOE for declassification).

(U) Distribution Statements, Warnings, etc: All documents containing FRD information (but no RD information) are required to include the following FRD warning statement on the first page: **"(U) FORMERLY RESTRICTED DATA unauthorized disclosure is subject to administrative and criminal sanctions. Handle as RESTRICTED DATA in foreign dissemination. Section 144b, Atomic Energy Act of 1954."**

(U) Notional Example Page:

SECRET//FORMERLY RESTRICTED DATA-SIGMA 14//NOFORN

(S//FRD-SG 14//NF) This is the portion mark for a portion that is classified SECRET FORMERLY RESTRICTED DATA, SIGMA 14, and is not releasable to foreign nationals. This portion is marked for training purposes only.

(S//NF) This is the portion mark for a portion of NSI that is classified SECRET and is not releasable to foreign nationals. This portion is marked for training purposes only.

[Insert FRD Warning]

(U) Note: Automatic declassification of documents containing FRD information is prohibited. If a document contains both FRD information and National Security Information (NSI), the "Declassify On" line of the classification authority block shall not include a declassification date or event, and shall instead be annotated with "Not Applicable (or N/A) to FRD portions" and "See source list for NSI portions."

SECRET//FORMERLY RESTRICTED DATA-SIGMA 14//NOFORN

(U) DOD UNCLASSIFIED CONTROLLED NUCLEAR INFORMATION

(U) Authorized Banner Line Marking Title:	DOD UNCLASSIFIED CONTROLLED NUCLEAR INFORMATION
(U) Authorized Banner Line Abbreviation:	DOD UCNI
(U) Authorized Portion Mark:	DCNI
(U) Example Banner Line:	UNCLASSIFIED//DOD UCNI
(U) Example Portion Mark:	(U//DCNI)
(U) Marking Sponsor/Policy Basis:	DoD/Atomic Energy Act of 1954, as amended

(U) Definitions: DOD UCNI is unclassified information on security measures for the physical protection of DoD Special Nuclear Material (SNM), equipment or facilities. Material is designated as DOD UCNI only when it is determined that its unauthorized disclosure could reasonably be expected to have a significant adverse effect on the health and safety of the public or the common defense and security by increasing significantly the likelihood of the illegal production of nuclear weapons or the theft, diversion or sabotage of DoD SNM, equipment or facilities.

(U) Further Guidance: DoD 5210.83, dated November 15, 1991

(U) Applicability: Agency Specific.

(U) Additional Marking Instructions:

- Applicable Level(s) of Classification: May be used only with UNCLASSIFIED.
- A classification authority block is not required on unclassified information.

(U) Relationship(s) to Other Markings: The DOD UCNI marking must not be applied to classified matter that contains UCNI.

(U) Precedence Rules for Banner Line Guidance:

- UNCLASSIFIED documents: DOD UCNI must always appear in the banner line.
- Classified documents: DOD UCNI does not appear in the banner line.

(U) Commingling Rule(s) Within a Portion: DOD UCNI may be commingled with classified non-UCNI material; in which case, the DCNI portion mark is not used because the classification level adequately protects the DOD UCNI information in the portion.

(U) Notes: Specific physical protection and access requirements apply; refer to DoD guidance.

(U) Derivative Use (i.e., re-use of information in whole or in part in intelligence products): DOD UCNI information may be sourced in accordance with relevant policy and/or procedures. See above precedence and commingling rules. In addition, derivative classifiers that re-use DoD UCNI information in intelligence products shall carry forward the DoD UCNI warning statement found on the face of the document.

(U) Notional Example Page:

UNCLASSIFIED//DOD UCNI

(U//DCNI) This is the portion mark for an UNCLASSIFIED DOD CONTROLLED NUCLEAR INFORMATION portion. This portion is marked for training purposes only.

(U) Note: A classification authority block is not required on unclassified information.

UNCLASSIFIED//DOD UCNI

(U) DOE UNCLASSIFIED CONTROLLED NUCLEAR INFORMATION

(U) Authorized Banner Line Marking Title:	DOE UNCLASSIFIED CONTROLLED NUCLEAR INFORMATION
(U) Authorized Banner Line Abbreviation:	DOE UCNI
(U) Authorized Portion Mark:	UCNI
(U) Example Banner Line:	UNCLASSIFIED//DOE UCNI
(U) Example Portion Mark:	(U//UCNI)
(U) Marking Sponsor/Policy Basis:	DOE/Atomic Energy Act of 1954, as amended, §148

(U) Definitions: Applies to information that has been declassified or removed from the RD category but may not be disseminated to the general public. Included are certain unclassified aspects of design of the nuclear production and utilization facilities; security measures for production/utilization facilities, nuclear material contained in such facilities, and nuclear material in transit; as well as unclassified design, manufacture, and utilization information of any atomic weapon or component.

(U) Further Guidance

- 10 CFR1017
- DOE Order 471.1B, *Identification and Protection of Unclassified Controlled Nuclear Information*

(U) Applicability: DOE.

(U) Additional Marking Instructions:

- Applicable Level(s) of Classification: May be used only with UNCLASSIFIED.
- A classification authority block is not required on unclassified information.

(U) Relationship(s) to Other Markings: The DOE UCNI marking must not be applied to classified matter that contains UCNI.

(U) Precedence Rules for Banner Line Guidance:

- UNCLASSIFIED documents: DOE UCNI must always appear in the banner line.
- Classified documents: DOE UCNI does not appear in the banner line.

(U) Commingling Rule(s) Within a Portion: DOE UCNI may be commingled with classified non-UCNI material; in this case, the DOE UCNI marking is not used because the classification level adequately protects the DOE UCNI information in the portion.

(U) Notes: Specific physical protection and access requirements apply.

(U) Derivative Use (i.e., re-use of information in whole or in part in intelligence products):

- DOE UCNI information may be sourced in accordance with DOE policy and procedures, and the above precedence and commingling rules.
- If an intelligence document or material marked as containing DOE UCNI (whether classified or not) falls under the cognizance of another DOE organization or other Government agency, the Reviewing Official or Denying Official must coordinate the decontrol review with that DOE organization or other Government agency.

(U) Notional Example Page:

UNCLASSIFIED//DOE UCNI

(U//UCNI) This is the portion mark for an UNCLASSIFIED DOE CONTROLLED NUCLEAR INFORMATION portion. This portion is marked for training purposes only.

(U) Note: A classification authority block is not required on unclassified information.

UNCLASSIFIED//DOE UCNI

(U) TRANSClassified FOREIGN NUCLEAR INFORMATION

(U) Authorized Banner Line Marking Title:	TRANSClassified FOREIGN NUCLEAR INFORMATION
(U) Authorized Banner Line Abbreviation:	TFNI
(U) Authorized Portion Mark:	TFNI
(U) Example Banner Line:	SECRET//TFNI//[Explicit FD&R]
(U) Example Portion Mark:	(S//TFNI//[Explicit FD&R])
(U) Marking Sponsor/Policy Basis:	DOE and DNI/Atomic Energy Act Section 142e and 32CFR2001, §2001.24(i)

(U) Definition: Information concerning the atomic energy programs of other nations that has been removed from the Restricted Data category for use by the Intelligence Community and is safeguarded as NSI under EO 13526.

(U) Further Guidance:

- EO 13526
- ISOO Implementing Directive, 32CFR2001
- ISOO Notice 2011-02

(U) Applicability: DOE and DNI have joint responsibility for determining what information is TFNI. Intelligence agencies are authorized to derivatively classify and mark documents containing TFNI in accordance with the ISOO Implementing Directive, 32CFR2001, §2001.24(i), and additional instructions provided by DOE and ISOO (ISOO Notice 2011-02). Only authorized DOE personnel may remove TFNI markings from documents.

(U) Additional Marking Instructions:

- Applicable level(s) of classification: May only be used with TOP SECRET, SECRET or CONFIDENTIAL.
- If TFNI appears in a portion-marked document containing other National Security Information (NSI), the "Declassify On:" line of the classifier marking must be annotated with "Not applicable (or N/A) to TFNI portions." And "See source list for NSI Portions."
- Automatic declassification of documents containing TFNI information is prohibited. If a document contains both TFNI information and National Security Information (NSI), the "Declassify On" line of the classification authority block shall not include a declassification date or event, and shall instead be annotated with "Not Applicable (or N/A) to TFNI portions" and "See source list for NSI portions."
- The NSI source list, as described in ISOO Implementing Directive, Section 2001.22(c)(1)(iii), must include the declassification instruction for each of the source documents classified under EO 13526.

(U) Precedence Rules for Banner Line Guidance: If the TFNI marking is contained in any portion of an NSI document it must appear in the banner line.

(U) Commingling Rule(s) Within a Portion: TFNI should not be commingled in the same portion in order to avoid competing classification and/or declassification equities. If TFNI is commingled with other NSI within a portion, "TFNI" must be included in the portion mark. When TFNI is commingled with Restricted Data (RD) or Formerly Restricted Data (FRD) within a portion, the RD or FRD takes precedence and "RD" or "FRD," as appropriate, is annotated in the portion mark.

(U) Notes:

- DOE and DNI have joint responsibility for determining what information is TFNI.
- The declassification of TFNI is determined by the Secretary of Energy.
- Documents marked as containing TFNI are excluded from the automatic declassification provisions of EO 13526 until the TFNI designation is properly removed by the Department of Energy.
- TFNI may be shared with foreign partners in accordance with existing DNI and IC element guidance for foreign disclosure and release of classified NSI.

(U) Derivative Use (i.e., re-use of information in whole or in part in intelligence products): TFNI information may be sourced provided that:

- The source is portion marked.
- The "Declassify On" line of the new document(s) must state "Not applicable (or N/A) to TFNI portions." and "See source list for NSI Portions" as noted in the Additional Marking Instructions.

(U) Distribution Statements, Warnings, etc: None

(U) Notional Example Page 1:

SECRET//TFNI//NOFORN

(S//TFNI//NF) This is the portion mark for a portion that is classified SECRET and containing TRANSClassified FOREIGN NUCLEAR INFORMATION and not releasable to foreign nationals. This portion is marked for training purposes only.

(U) Note: Automatic declassification of documents containing TFNI is prohibited. If a document contains only TFNI-marked portions, the "Declassify On:" line of the classification authority block shall be annotated with "Not applicable (or N/A) to TFNI portions."

SECRET//TFNI//NOFORN

(U) Notional Example Page 2:

SECRET//TFNI//REL TO USA, ACGU

(S//TFNI//REL TO USA, ACGU) This is the portion mark for a portion that is classified SECRET and contains TRANSClassified FOREIGN NUCLEAR INFORMATION and authorized for release to Australia, Canada, and United Kingdom. This portion is marked for training purposes only.

(S//REL TO USA, ACGU) This is the portion mark for a portion that is classified SECRET and authorized for release to Australia, Canada, and United Kingdom. This portion must contain only US classified information that is releasable to Australia, Canada, and United Kingdom. This portion is marked for training purposes only.

(U) Note: Automatic declassification of documents containing TFNI is prohibited. If a document contains both TFNI and National Security Information (NSI), the "Declassify On:" line of the classification authority block shall be annotated with "Not applicable (or N/A) to TFNI portions." and "See source list for NSI Portions."

SECRET//TFNI//REL TO USA, ACGU

7. (U) Foreign Government Information Markings

(U) Foreign Government Information (FGI) markings are used in US products to denote the presence of classified or unclassified foreign owned or produced information. These markings are used based on sharing agreements or arrangements with the source country or international organization.

(U) The FGI markings included in the CAPCO Register for banner lines are:

- FGI [LIST]
- FGI (when country[ies] or organization[s] of origin must be concealed)

(U) The FGI markings included in the CAPCO Register for portion marks are:

- [LIST] [Non-US Classification Portion Mark] or NATO [Classification Portion Mark]//[Special Access Program Marking(s)]/[Dissemination Controls]
- FGI [Non-US Classification Portion Mark] (when country[ies] or organization[s] of origin must be concealed)

(U) "[LIST]" pertains to one or more CAPCO Register, Annex C trigraph country codes or CAPCO Register, Annex A and B tetragraph code(s) used with the FGI marking. Country trigraph codes are listed alphabetically followed by tetragraph codes in alphabetical order. Multiple FGI countries shall be separated by a single space.

(U) **Note:** For more information about values, format, and syntax of Non-US or NATO Markings, refer to the Non-US Protective Markings appendices of the CAPCO Register and Manual.

(U) ICD 710 Foreign Disclosure and Release Markings on Classified Intelligence Information

(U) Classified information, as defined by and under the purview of ICD 710, shall be explicitly marked for appropriate foreign disclosure and release at the portion and banner level. This requirement is reflected throughout the marking template as "[Explicit FD&R]" to represent either NOFORN or REL TO. Originators of intelligence information are responsible for determining appropriate classification markings for the information they produce and for applying the appropriate control markings that implement DNI guidelines for dissemination (foreign and domestic). Follow internal agency procedures for the use of foreign disclosure and release markings with classified information.

(U) ICD 710 is not applicable to classified military information falling under the purview of National Policy and Procedures for the Disclosure of Classified Military Information to Foreign Governments and International Organizations (short title: National Disclosure Policy-1 [NDP-1]). Within the Department of Defense, application of foreign release markings is accomplished by the Foreign Disclosure Officer (FDO) when foreign release is needed.

(U) Foreign Government Information Without Dissemination Controls Used as a Derivative Source

(U) When sourcing from classified foreign government information without dissemination controls, and an explicit foreign disclosure and release decision per ICD 710 (e.g., //GBR S) is required, in the absence of any other applicable guidance (e.g., classification guide, source document[s], or DNI guidelines for foreign disclosure and release), the appropriate foreign release marking to add is NOFORN. Any other marking used in this sourcing scenario may jeopardize the information and/or the foreign release process.

(U) Foreign Disclosure and Release Markings on Unclassified Foreign Government Information

(U) Unclassified foreign government information portions in a US document may be explicitly marked for appropriate foreign release using the NOFORN or REL TO markings as circumstances warrant. Explicit foreign release markings are not required on unclassified FGI. Follow internal agency procedures for the use of foreign disclosure and release markings with unclassified FGI.

(U) FOREIGN GOVERNMENT INFORMATION

(U) Authorized Banner Line Marking Title (when source is acknowledged):	FOREIGN GOVERNMENT INFORMATION [LIST]
(U) Authorized Banner Line Marking Title (when source must be concealed):	FOREIGN GOVERNMENT INFORMATION
(U) Authorized Banner Line Abbreviation (when source is acknowledged):	FGI [LIST]
(U) Authorized Banner Line Abbreviation (when source must be concealed):	FGI
(U) Authorized Portion Mark (when source(s) is acknowledged and segregated from US):	[LIST] [Non-US Classification Portion Mark] or NATO Portion Mark
(U) Authorized Portion Mark (when source must be concealed and segregated from US):	FGI [non-US Classification Portion Mark]
(U) Example Banner Line of US document (when source is acknowledged)	TOP SECRET//FGI GBR//[Explicit FD&R]
(U) Example Banner Line of US document (when source must be concealed)	TOP SECRET//FGI//[Explicit FD&R]
(U) Example Portion Mark (when source is acknowledged, segregated from US, and with multiple foreign sources):	(//CAN GBR S//[Explicit FD&R])
(U) Example Portion Mark (when sources are acknowledged, but <u>not</u> segregated from US):	(S//FGI AUS GBR//[Explicit FD&R])
(U) Example Portion Mark (when source must be concealed and segregated from US):	(//FGI TS//[Explicit FD&R])
(U) Example Portion Mark (when source(s) must be concealed, but <u>not</u> segregated from US):	(TS//FGI//[Explicit FD&R])
(U) Marking Sponsor/Policy Basis:	Respective country/EO 13526, §1.6(e) and §6.1(s)
(U) Definition: Under EO 13526, Foreign Government Information is defined as:	
▪ Information provided to the United States Government by a foreign government or governments, an international organization of governments, or any element thereof, with the expectation that the information, the source of the information, or both, are to be held in confidence; or	
▪ Information produced by the United States pursuant to or as a result of a joint arrangement with a foreign government or governments, or an international organization of governments or any element thereof, requiring that the information, the arrangement, or both, are to be held in confidence; or	

- Information received and treated as "Foreign Government Information" under the terms of a predecessor order.

(U) Further Guidance:

- ISOO Implementing Directive, 32CFR2001, §2001.24(c), *Foreign Government Information*
- ISOO Implementing Directive, 32CFR2001, §2001.54, *Foreign Government Information*
- ISOO Implementing Directive, 32CFR2001, §2001.55, *Foreign Disclosure of Classified Information*

(U) Applicability: Available for use by all IC elements as appropriate.

(U) Additional Marking Instructions:

- Authorized non-US Classification portion marks values are:
 - TS for TOP SECRET
 - S for SECRET
 - C for CONFIDENTIAL
 - R for RESTRICTED
 - U for UNCLASSIFIED
- Do not include country codes within the portion marks where the specific government(s) must be concealed.
- "[LIST]" pertains to one or more CAPCO *Register, Annex C* trigraph country codes or CAPCO *Register, Annex A and B* tetragraph code(s) used with the FGI marking.
- Multiple FGI countries shall be listed alphabetically and separated by a single space.
- When the use of REL TO is appropriate to communicate a Non-US release determination, the "[USA, LIST]" in the REL TO marking pertains to the string that contains "USA" followed by one or more CAPCO *Register, Annex C* trigraph country code(s) or CAPCO *Register, Annex A and B* tetragraph code(s) used with the REL TO marking. "USA" must always appear first whenever the REL TO string is used to communicate release decisions either by the US or a Non-US entity. After USA, you must list one or more country trigraph codes in alphabetical order followed by tetragraph codes listed in alphabetical order. Each code is separated by a comma and a space.
- NOFORN may be used when release or disclosure back to the source country and any third-country is prohibited and must be approved by the responsible agency.

(U) Relationship(s) to Other Markings: REL TO or NOFORN may be used on classified or unclassified FGI.

(U) Precedence Rules for Banner Line Guidance:

- Used as a content indicator to denote the presence of foreign government material in a US product. If any document contains portions of both source-concealed FGI (e.g., "(//FGI S//REL TO USA, GBR)") and source-acknowledged FGI (e.g., "(//GBR S//REL TO USA, GBR)"), then only the "FGI" marking without the source trigraph(s)/tetragraph(s) must appear in the banner line.
- Use FGI + CAPCO *Register, Annex C* trigraph country code(s) and/or CAPCO *Register Annex A and B* tetragraph code(s) in the banner line, unless the very fact that the information is foreign government information must be concealed. Then the FGI marking described here must not be used. Such information must be marked as if it were wholly of US origin.

(U) Commingling Rule(s) Within a Portion:

- Documents marked in accordance with ICD 206, *Sourcing Requirements for Disseminated Analytic Products*, dated 17 October 2007, may commingle FGI and US information in portions. The FGI shall be identified in the source reference citations as endnotes in disseminated analytic products.
- Documents not marked in accordance with ICD 206 must keep the FGI segregated from US portions.
- Do not mix concealed FGI (e.g., "(//FGI S//REL TO USA, ACGU)") with acknowledged FGI (e.g., "(//GBR S//NF)") within the same portion.
- Documents marked in accordance with ICD 206 may commingle FGI from more than one country and/or international organization in portions. Each FGI source shall be identified in the source reference citations as endnotes in disseminated analytic products.

- Documents not marked in accordance with ICD 206 must keep the FGI from different sources segregated in separate portions.

(U) Notes:

- Release or disclosure of FGI back to the source country is prohibited and must be approved by the responsible agency if the source country is not repeated in the foreign release marking(s) or is marked with NOFORN.
- The release or disclosure of FGI to any third-country entity must have the prior consent of the originating government if required by a treaty, agreement, bilateral exchange, or other obligation (see ISOO Implementing Directive §2001.54[e]).
- Unclassified FGI is withheld from public release until approved for release by the source country.

(U) Derivative Use (i.e., re-use of information in whole or in part in intelligence products): FGI information may be sourced in accordance with the relevant foreign sharing agreement(s)/arrangement(s). See above precedence and commingling rules.

(U) Sourcing NATO Information in a US Product

(U) When NATO information is incorporated into US products, the following must be considered:

- The document must contain the NATO warning statement: "THIS DOCUMENT CONTAINS NATO [classification level] INFORMATION." The statement is affixed to the front cover or first page if there is no cover.
- The US banner line will indicate the presence of NATO information using the FGI marking and will reflect the highest classification level of information in the document, to include any NATO portion(s). For example, a document with US portions marked (C//REL TO USA, NATO) and a NATO SECRET portion (//NS//REL TO USA, NATO) should have an overall banner of SECRET//FGI NATO//REL TO USA, NATO.
- Commingling NATO and US NSI information in the same portion is only authorized when the information is on the same topic or subject and marked in accordance with ICD 206, *Sourcing Requirements for Disseminated Analytic Products*, dated 17 October 2007. The NATO marked information shall be identified in the source reference citations as endnotes in disseminated analytic products. Otherwise, the information must be segregated into separate paragraphs by source.
- NATO information is not subject EO 13526 marking requirements; therefore, per ISOO Notice 2013-01, the declassification instruction for US documents that commingle NATO information will be "N/A to NATO portions. See source list for NSI portions."

(U) Notional Example Page 1:

TOP SECRET//FGI CAN DEU//REL TO USA, CAN, DEU

(TS//REL TO USA, CAN, DEU) This is the portion mark for a portion that is classified TOP SECRET and is authorized for release to Canada and Germany. This portion must contain only US classified information that is releasable to Canada and Germany. This portion is marked for training purposes only.

(TS//FGI DEU//REL TO USA, CAN, DEU) This is the portion mark for a commingled portion of US TOP SECRET information and German SECRET within a US classified document, in which Germany has authorized release back to Germany and further release to USA and Canada. This document must include source reference citations as endnotes for the DEU information as required by ICD 206. Use CAPCO Register, Annex C trigraph country codes. This portion is marked for training purposes only.

(//CAN S//REL TO USA, CAN, DEU) This is the portion mark for a Canadian SECRET portion within a US classified document, in which Canada has authorized release back to Canada and further release to USA and Germany. This portion must contain only Canadian SECRET FGI that is releasable to the countries listed. Use CAPCO Register, Annex C trigraph country codes or CAPCO Register, Annex A and B tetragraph code(s). This portion is marked for training purposes only.

(U) Note: Release or disclosure of FGI back to the source country is prohibited and must be approved by the responsible agency if the source country is not repeated in the foreign release marking(s) or is marked with NOFORN.

(U) Note: The release or disclosure of FGI to any third-country entity must have the prior consent of the originating government if required by a treaty, agreement, bilateral exchange, or other obligation (see ISOO Directive No. 1 2001.53[e]).

(U) Note: The classification authority block is required on all US classified NSI. See the ISOO Implementing Directive and General Marking Guidance Section of this document for more information.

TOP SECRET//FGI CAN DEU//REL TO USA, CAN, DEU

(U) Notional Example Page 2:

TOP SECRET//FGI AUS CAN DEU NATO/BOHEMIA//NOFORN

(U) *[Insert NATO warning statement]*

(TS//RELIDO) This is the portion mark for a portion that is classified TOP SECRET and the originator has determined is releasable by an information disclosure official. This portion must contain only US classified information. This portion is marked for training purposes only.

(//CAN DEU S//REL TO USA, CAN, DEU) This is the portion mark for a commingled portion of Canada and German SECRET within a US classified document, in which Canada and Germany have authorized release back to Canada and Germany and further release to USA. This portion must contain only Canada and German SECRET FGI that is releasable to the countries listed. This document must include source reference citations as endnotes for the CAN and DEU information as required by ICD 206. Use CAPCO Register, C trigraph country codes or CAPCO Register, Annex A and B tetragraph code(s). This portion is marked for training purposes only.

(//AUS S//REL TO USA, AUS) This is the portion mark for an Australian SECRET portion within a US classified document, in which Australia has authorized release back to Australia and further release to USA. This portion must contain only Australian SECRET FGI. Use CAPCO Register, Annex C trigraph country codes or CAPCO Register, Annex A and B tetragraph code(s). This portion is marked for training purposes only.

(//CTS//BOHEMIA//REL TO USA, NATO) This is the portion mark for a NATO COSMIC TOP SECRET BOHEMIA portion within a US classified document and is releasable back to NATO. This portion must contain only NATO COSMIC TOP SECRET BOHEMIA FGI. This portion is marked for training purposes only.

(U) Note: Documents containing multiple portions with different disclosure or release markings must be marked overall with the most protective marking.

(U) Note: The classification authority block is required on all US classified NSI. See the ISOO Implementing Directive and General Marking Guidance Section of this document for more information.

TOP SECRET//FGI AUS CAN DEU NATO/BOHEMIA//NOFORN

(U) Notional Example Page 3:**SECRET//FGI//NOFORN**

(S//RELIDO) This is the portion mark for a portion that is classified SECRET and the originator has determined is releasable by an information disclosure official. This portion must contain only US classified information. This portion is marked for training purposes only.

(//DEU S//NF) This is the portion mark for a portion that is classified German SECRET and is not releasable back to Germany or to any third country entity. Because this document is not marked in accordance with ICD 206 (i.e., it is not a disseminated analytic product, this portion must contain only German SECRET FGI. This portion is marked for training purposes only.

(//DEU C//REL TO USA, CAN, DEU) This is the portion mark for a German CONFIDENTIAL portion within a US classified document, in which Germany has authorized release back to Germany and further release to USA and Canada. Because this document is not marked in accordance with ICD 206 (i.e., it is not a disseminated analytic product, this portion must contain only German CONFIDENTIAL FGI that is releasable to the countries listed. This portion is marked for training purposes only.

(//FGI S//NF) This is the portion mark for a portion that is classified German SECRET in cases where Germany must be concealed within a US classified document and is not releasable back to Germany or to any third country entity. Because this document is not marked in accordance with ICD 206 (i.e., it is not a disseminated analytic product, this portion must contain only German SECRET FGI. This portion is marked for training purposes only.

(U) Note: Release or disclosure of FGI back to the source country is prohibited and must be approved by the responsible agency if the source country is not repeated in the foreign release marking(s) or is marked with NOFORN.

(U) Note: The release or disclosure of FGI to any third-country entity must have the prior consent of the originating government if required by a treaty, agreement, bilateral exchange, or other obligation (ISOO Directive No. 1 2001.53[e]).

(U) Note: Per ICD 710, §G, documents containing multiple portions with different disclosure or release markings must be marked overall with the most protective marking. A document containing portions of both source-concealed FGI and source-acknowledged FGI shall have only the "FGI" marking without source trigraph(s)/tetragraph(s) in the banner line, as it is the most restrictive form of the marking.

(U) Note: The classification authority block is required on all US classified NSI. See the ISOO Implementing Directive and General Marking Guidance Section of this document for more information.

SECRET//FGI//NOFORN

(U) Notional Example Page 4:

TOP SECRET//FGI CAN DEU//NOFORN

(S//REL TO USA, AUS) This is the portion mark for a SECRET portion and is authorized for release to Australia. This portion must contain only US classified information that is releasable to Australia. This portion is marked for training purposes only.

(//CAN S//REL TO USA, AUS, CAN, GBR) This is the portion mark for a Canadian SECRET portion in which Canada has authorized release back to Canada and further release to USA, Australia, and United Kingdom within a US classified document. Because this document is not marked in accordance with ICD 206 (i.e., it is not a disseminated analytic product), this portion must contain only Canadian SECRET releasable FGI to the countries listed. Use CAPCO Register, Annex C trigraph country codes or CAPCO Register, Annex A and B tetragraph code(s). This portion is marked for training purposes only.

(//DEU TS//NF) This is the portion mark for a German TOP SECRET portion within a US classified document which Germany has determined is not releasable back to Germany or to any third country entity. Because this document is not marked in accordance with ICD 206 (i.e., it is not a disseminated analytic product) this portion must contain only German TOP SECRET FGI. Use CAPCO Register, Annex C trigraph country codes or CAPCO Register, Annex A and B tetragraph code(s). This portion is marked for training purposes only.

(U) Note: Release or disclosure of FGI back to the source country is prohibited and must be approved by the responsible agency if the source country is not repeated in the foreign release marking(s) or is marked with NOFORN.

(U) Note: Per ICD 710, §G, documents containing multiple portions with different disclosure or release markings must be marked overall with the most protective marking.

(U) Note: The classification authority block is required on all US classified NSI. See the ISOO Implementing Directive and General Marking Guidance Section of this document for more information.

TOP SECRET//FGI CAN DEU//NOFORN

(U) Notional Example Page 5:

SECRET//FGI CAN GBR//REL TO USA, CAN, GBR

(S//FGI CAN//REL TO USA, CAN, GBR) This is the portion mark for a commingled US and Canadian SECRET portion that is authorized for release back to Canada and release to USA and United Kingdom within a US classified document. This document must include source reference citations as endnotes for the CAN information as required by ICD 206. This portion is marked for training purposes only.

(//GBR S//REL TO USA, CAN, GBR) This is the portion mark for a British SECRET portion in which Britain has authorized release back to United Kingdom and further release to USA and Canada within a US classified document. This portion must contain only British SECRET FGI releasable to the countries in the REL TO list. Use CAPCO Register, Annex C trigraph country codes or CAPCO Register, Annex A and B tetragraph code(s). This portion is marked for training purposes only.

(U) Note: REL TO with an overlap in the country lists, roll-up to the most restrictive list. Canada and United Kingdom appear in the banner line because these countries appear in all portions.

(U) Note: The classification authority block is required on all US classified NSI. See the ISOO Implementing Directive and General Marking Guidance Section of this document for more information.

SECRET//FGI CAN GBR//REL TO USA, CAN, GBR

(U) Notional Example Page 6:

TOP SECRET//FGI CAN GBR//REL TO USA, AUS, CAN, GBR

(//JOINT TS GBR USA//REL TO USA, AUS, CAN, GBR) This is the portion mark for a portion that is classified JOINT British and US TOP SECRET. The British and US, as the co-owners, have authorized further release to the Australia and Canada. Use CAPCO *Register, Annex C* trigraph country codes and/or CAPCO *Register Annex A and B* tetragraph codes. This portion is marked for training purposes only.

(U) Note: When a JOINT portion is extracted into a US document; the co-owner country codes must be carried forward. The JOINT marking indicates co-ownership and releasability of the entire portion *only* to the co-owners. All JOINT information is withheld from further release until approved for release by the co-owners.

(S//REL TO USA, AUS, CAN, GBR) This is the portion mark for a portion that is classified SECRET and authorized for release to Australia, Canada and United Kingdom. This portion must contain only US classified information that is releasable to Australia, Canada, and the United Kingdom. This portion is marked for training purposes only.

(//CAN S//REL TO USA, AUS, CAN, GBR) This is the portion mark for a Canadian SECRET portion in which Canada has authorized release back to Canada and further release to USA, Australia and United Kingdom. This portion must contain only Canadian SECRET FGI releasable to the countries in the REL TO list. Use CAPCO *Register, Annex C* trigraph country codes or CAPCO *Register, Annex A and B* tetragraph code(s). This portion is marked for training purposes only.

(U) Note: REL TO portions with an overlap in the country lists, roll-up to the most restrictive list. AUS, CAN, and GBR appear in the banner line because these countries appear in all portions.

(U) Note: The classification authority block is required on all US classified NSI. See the ISOO Marking Implementing Directive and General Marking Guidance Section of this document for more information.

TOP SECRET//FGI CAN GBR//REL TO USA, AUS, CAN, GBR

8. (U) Dissemination Control Markings

(U) General Information

(U) Dissemination Controls are control markings that identify the expansion or limitation on the distribution of information. These markings are in addition to and separate from the levels of classification defined by EO 13526.

(U) The Information Security Oversight (ISOO) Implementing Directive (32CFR2001, §2001.24[j][2]), identifies the DNI as the authority over external dissemination control and handling markings for intelligence and intelligence-related information. Only those DNI-authorized external dissemination control and handling markings contained in the *Register* may be used by IC elements to control and handle external dissemination of classified information.

(U) Multiple entries may be chosen from this Dissemination Control category if applicable. If multiple entries are used, they are listed in the order in which they appear in the *Register*. Use a single forward slash with no interjected space as the separator between multiple Dissemination Control entries.

(U) Note: Some of the Dissemination Controls are restricted to use by certain Agencies. They are included in the *Register* to provide guidance on handling documents that bear them. Their inclusion in the *Register* does not authorize other agencies to originate these markings.

(U) ICD 710 Foreign Release Markings

(U) Classified information, as defined by and under the purview of ICD 710, shall be explicitly marked for appropriate foreign disclosure and release at the portion and banner level. This requirement is reflected throughout the marking templates as "[Explicit FD&R]" to represent one or more of the following dissemination control markings: NOFORN, REL TO, RELIDO, and DISPLAY ONLY. Originators of intelligence information are responsible for determining appropriate classification markings for the information they produce, and for applying the appropriate control markings that implement DNI guidelines for dissemination (foreign and domestic). Follow internal agency procedures for the use of foreign disclosure and release markings with classified information.

(U) ICD 710 is not applicable to classified military information falling under the purview of National Policy and Procedures for the Disclosure of Classified Military Information to Foreign Governments and International Organizations (short title: National Disclosure Policy-1 [NDP-1]). Within the Department of Defense, application of foreign release markings is accomplished by the Foreign Disclosure Officer (FDO) when foreign release is needed.

(U) Classified Intelligence Information with Dissemination Controls Used as a Derivative Source

(U) In accordance with EO 13526, §2.1 and ICD 710, derivative classifiers shall carry forward to any newly created documents the pertinent classification markings, to include classification level, compartmentation, dissemination controls, disclosure or release authorizations, and other warnings.

(U) When sourcing from classified intelligence material that bears a dissemination control(s), but that is not marked with an explicit foreign disclosure and release decision per ICD 710, *in the absence of any other applicable guidance* (e.g., classification guide, source document[s], or DNI guidelines for foreign disclosure and release) derivative classifiers shall contact the originator for further guidance.

(U) Non-IC Classified Information with Dissemination Controls Used as a Derivative Source

(U) When sourcing from Non-IC originated classified material that bears a dissemination control(s) but that is not marked with an explicit foreign disclosure and release decision, *in the absence of a formal agreement or notification between the non-IC organization and the IC element on handling requirements* (including guidance from the Non-IC element marking

[REDACTED] [REDACTED]

sponsor included in this document), derivative classifiers shall contact the originating agency or local foreign disclosure office for further guidance.

(U) Foreign Disclosure and Release Markings on Unclassified Information

(U) Unclassified information may be explicitly marked for appropriate foreign disclosure and release at the portion and banner level as circumstances warrant. Explicit foreign disclosure and release markings are not required on unclassified information. Follow internal agency procedures for the use of foreign disclosure and release markings with unclassified information.

(U) The following Dissemination Control markings and their respective marking sponsor(s) are listed below in the order they appear in the *Register*.

- RISK SENSITIVE (NGA)
- FOR OFFICIAL USE ONLY (Various Agencies)
- ORIGINATOR CONTROLLED (DNI)
- ORIGINATOR CONTROLLED-USGOV (DNI)
- CONTROLLED IMAGERY (DNI)
- NOT RELEASABLE TO FOREIGN NATIONALS (DNI)
- CAUTION-PROPRIETARY INFORMATION INVOLVED (DNI)
- AUTHORIZED FOR RELEASE TO [USA, LIST] (DNI)
- RELEASABLE BY INFORMATION DISCLOSURE OFFICIAL (DNI)
- USA/[country trigraphs] EYES ONLY (NSA) **Note:** NSA has been granted a control markings waiver through 9 September 2014, at which time it will expire automatically. Automated systems will be modified to reject information marked EYES ONLY beginning 10 September 2014.
- DEA SENSITIVE (DEA)
- FOREIGN INTELLIGENCE SURVEILLANCE ACT (DNI)
- DISPLAY ONLY [LIST] (DNI)

(U) RISK SENSITIVE

(U) Authorized Banner Line Marking Title:	RISK SENSITIVE
(U) Authorized Banner Line Abbreviation:	RSEN
(U) Authorized Portion Mark:	RS
(U) Example Banner Line:	TOP SECRET//TK//RSEN//[Explicit FD&R]
(U) Example Portion Mark:	(TS//TK//RS//[Explicit FD&R])
(U) Marking Sponsor/Policy Basis:	NGA/National System for GEOINT (NSG)

(U) Definition: This term is used to protect especially sensitive imaging capabilities and exploitation techniques.

(U) Further Guidance:

- NGA, *Sensitive Analytical Techniques Procedural Guide*, Feb 2006
- NSGM documentation where TK and RSEN are used together
- Talent Keyhole Control System Manual
- NSG GEOINT Security Classification Guide

(U) Applicability: Available for use by all agencies.

(U) Additional Marking Instructions: Applicable level(s) of classification: May be used only with TOP SECRET or SECRET.

(U) Relationship(s) to Other Markings: May be used with TK.

(U) Precedence Rules for Banner Line Guidance: If any portion contains RISK SENSITIVE information, the RSEN marking must appear in the banner line.

(U) Commingling Rule(s) Within a Portion: May be combined with other caveated information when appropriate and the RS marking must be conveyed in the portion mark.

(U) Derivative Use (i.e., re-use of information in whole or in part in intelligence products): RSEN information may be sourced in accordance with relevant IC policy and/or procedures. See above precedence and commingling rules.

(U) Notional Example Page:

TOP SECRET//TK//RSEN//REL TO USA, ACGU

(TS//TK//RS//REL TO USA, ACGU) This is the portion mark for a portion that is classified TOP SECRET, contains TALENT KEYHOLE information, is handled as RISK SENSITIVE, and is authorized for release to Australia, Canada, and United Kingdom. This portion must contain only US classified information that is releasable to Australia, Canada, and United Kingdom. This portion is marked for training purposes only.

(U) Note: The classification authority block is required on all US classified NSI. See the ISOO Implementing Directive and General Marking Guidance Section of this document for more information.

TOP SECRET//TK//RSEN//REL TO USA, ACGU

This document is not approved for public release.

(U) FOR OFFICIAL USE ONLY

(U) Note: This marking will be evaluated for continued CAPCO registration with implementation of the Controlled Unclassified Information (CUI) Program.

(U) Authorized Banner Line Marking Title: ~~FOR OFFICIAL USE ONLY~~

(U) Authorized Banner Line Abbreviation: ~~FOUO~~

(U) Authorized Portion Mark: ~~FOUO~~

(U) Example Banner Line: UNCLASSIFIED//~~FOUO~~

(U) Example Portion Mark: ~~(U//FOUO)~~

(U) Marking Sponsor/Policy Basis: Various Agencies

(U) Definition: Intelligence Marking used for UNCLASSIFIED official government information that is withheld from public release until approved for release by the originator.

(U) Further Guidance: Agency specific

(U) Applicability: Available for use by all agencies.

(U) Additional Marking Instructions:

- Applicable level(s) of classification: May be used only with UNCLASSIFIED.
- Unclassified documents that bear a dissemination control marking(s), such as ~~FOUO~~ or PROPIN, must be portion marked.

(U) Relationship(s) to Other Markings: Portions of a classified document may be marked ~~(U//FOUO)~~ if appropriate.

(U) Precedence Rules for Banner Line Guidance:

- UNCLASSIFIED with ~~FOUO~~ and no other dissemination control markings in the document: ~~FOUO~~ must convey in the banner line.
- UNCLASSIFIED with ~~FOUO~~ and other dissemination control markings, excluding FD&R markings in the document: ~~FOUO~~ is not conveyed in the banner line.
- UNCLASSIFIED with only ~~FOUO~~ and FD&R markings in the document: ~~FOUO~~ must convey in the banner line, and any FD&R markings as appropriate based on existing banner line roll-up rules for FD&R markings.
- Classified document: ~~FOUO~~ is not conveyed in the banner line.

(U) Commingling Rule(s) Within a Portion: May be combined with other caveated information when appropriate and the ~~FOUO~~ marking may or may not convey in the portion mark using the same rules above for banner line.

(U) Derivative Use (i.e., re-use of information in whole or in part in intelligence products): ~~FOUO~~ information may be sourced in accordance with relevant policy and/or procedures. See above precedence and commingling rules.



(U) Notional Example Page:

~~UNCLASSIFIED//FOR OFFICIAL USE ONLY~~

~~(U//FOUO)~~ This is the portion mark for an UNCLASSIFIED FOR OFFICIAL USE ONLY portion. This portion is marked for training purposes only.

~~UNCLASSIFIED//FOR OFFICIAL USE ONLY~~

(U) DISSEMINATION AND EXTRACTION OF INFORMATION CONTROLLED BY ORIGINATOR

(U) Authorized Banner Line Marking Title:	ORIGINATOR CONTROLLED
(U) Authorized Banner Line Abbreviation:	ORCON
(U) Portion Mark:	OC
(U) Example Banner Line:	TOP SECRET//ORCON[Explicit FD&R]
(U) Example Portion Mark:	(S//OC/[Explicit FD&R])
(U) Marking Sponsor/Policy Basis:	DNI/National Security Act of 1947, §103 (c)(5)

(U) Definition: The ORCON marking may be applied by originators of classified national intelligence information that meets one or more of the criteria listed in section §D.3 of Intelligence Community Policy Guidance (ICPG) 710.1, *Application of Dissemination Controls: Originator Control*. This marking allows originators to maintain knowledge, supervision, and control of the distribution of the ORCON information beyond its original dissemination. Further dissemination of ORCON information requires advance permission from the originator.

(U) Note: When the ORCON information is pre-approved by the originator for dissemination to Executive Branch departments and agencies and for use in finished intelligence products for Congressional Intelligence Committees who have oversight functions and responsibilities, the ORCON-USGOV marking shall be used rather than ORCON. (See the ORCON-USGOV template for additional guidance).

(U) Further Guidance:

- Principal Deputy Director of National Intelligence Memo, E/S 00124, dated 14 February 2008
- ICPG 710.1

(U) Applicability: Available for use by all IC agencies as appropriate.

(U) Additional Marking Instructions: Applicable level(s) of classification: May only be used with TOP SECRET, SECRET or CONFIDENTIAL.

(U) Relationship(s) to Other Markings:

- May not be used with ORCON-USGOV in a portion mark or banner line.
- May be used with NOFORN, REL TO, DISPLAY ONLY.
- May not be used with RELIDO.

(U) Precedence Rules for Banner Line Guidance:

- The ORCON marking must always appear in the banner line if any portion contains ORCON information.
- If ORCON and ORCON-USGOV portions are in a document, ORCON takes precedence and is conveyed in the banner line.

(U) Commingling Rule(s) Within a Portion:

- May be combined with other caveated information when appropriate (e.g., SCI, SAP, AEA, FGI, IC and Non-IC dissemination controls) and the OC marking is conveyed in the portion mark.
- If combined with non-ORCON information in a single portion, the non-ORCON information must also be handled

in a manner consistent with ORCON information as provided in ICPG 710.1 (see first Note below).

- May be combined with ORCON-USGOV information in the same portion, and the OC marking takes precedence and is conveyed in the portion mark.

(U) Notes:

- Originators of ORCON information shall separate sources, methods, and activities content from the substantive classified national intelligence by using tearlines, write for release, or other sanitization methods, in accordance with DNI policy.
- ORCON information may be shared with all recipients who have been authorized to receive the information on the dissemination list (either the original dissemination list or an originator-authorized amendment to the dissemination list) or by pre-approval, to include dissemination to Congressional committees consistent with oversight functions and requirements.
- Recipients of ORCON information may further share the information without additional approval from the originator to organizations and individuals described in ICPG 710.1, §E.1.b., and in accordance with requirements for access to classified NSI set forth in EO 13526, §4.1(a).
- Requests for further sharing of ORCON information beyond the organizations and individuals described in ICPG 710.1, §E.1., to include recipients outside the IC, require advanced permission of the originator.

(U) Derivative Use (i.e., re-use of information in whole or in part in intelligence products):

- The use of ORCON enables the originator to maintain knowledge, supervision, and control of the distribution of ORCON information beyond its original dissemination. Further dissemination of ORCON information requires advance permission from the originator who shall make a determination based on the mission need of the intended recipient.
- Information marked with ORCON may be incorporated in whole or in part into other briefings or products, provided the briefing or product is presented or distributed only to original recipients of the information and those organizations and individuals described in ICPG 710.1, §E.1.b.
- As described in ICPG 710.1 §E.3.a, the Principal Deputy DNI (PDDNI), in consultation with the heads of IC elements, shall designate Secure Communities Of Interest (SCOI) within which relevant disseminated ORCON information originated by an IC element may be posted by any authorized recipient participating in the SCOI without additional originator approvals or control. SCOI participants are not authorized to share ORCON material outside of the SCOI with any organization that is not otherwise an authorized recipient without pre-approval by the originator and in accordance with the procedures in ICPG 710.1, §E.4.a.

(U) Distribution Statements, Warnings, etc: There may be certain types of ORCON information that require the addition of a distribution or warning statement. When this occurs, the required distribution or warning statement should not repeat or re-state the ORCON restrictions, but rather provide the necessary additional direction.

(U) Notional Example Page:

TOP SECRET//ORCON/NOFORN

(TS//OC/NF) This is the portion mark for a portion of information that is classified TOP SECRET, ORIGINATOR CONTROLLED, and is not releasable to foreign nationals. This portion is marked for training purposes only.

(U) Note: The classification authority block is required on all US classified NSI. See the ISOO Implementing Directive and General Marking Guidance Section of this document for more information.

TOP SECRET//ORCON/NOFORN

(U) DISSEMINATION AND EXTRACTION OF INFORMATION CONTROLLED BY ORIGINATOR-USGOV

(U) Authorized Banner Line Marking Title:	ORIGINATOR CONTROLLED-USGOV
(U) Authorized Banner Line Abbreviation:	ORCON-USGOV
(U) Authorized Portion Mark:	OC-USGOV
(U) Example Banner Line:	SECRET//ORCON-USGOV/[Explicit FD&R]
(U) Example Portion Mark:	(S//OC-USGOV/[Explicit FD&R])
(U) Marking Sponsor/Policy Basis:	DNI National Security Act of 1947, as amended

(U) Definition (Description): The ORCON-USGOV marking is used by IC elements that originate ORCON information to communicate to recipients that the information has been pre-approved for further dissemination, without originator approval, to the US Government's Executive Branch Departments and Agencies, and for use in *finished intelligence* products provided to Congressional Intelligence Committees who have oversight functions and responsibilities. ORCON appears in the label to ensure recipients are aware and adhere to the processes, procedures, access and reporting requirements as set forth in EO 13526, Section 4.1 and ICPG 710.1. Dissemination to other US entities requires originator approval. Originators of ORCON-USGOV must also adhere to the marking criteria and reporting requirements for ORCON information when applying the ORCON-USGOV marking as established in ICPG 710.1.

(U) When applied, the ORCON-USGOV marking does not alter the definition, processes, procedures, or pre-approval agreements associated with the ORCON marking. This new marking, by definition, will prevent the proliferation of non-standard markings, and distribution and warning statements used to communicate pre-approval for dissemination to Executive Branch agencies/departments and also for use in finished intelligence products provided to Congressional Intelligence Committees. Other caveats used to communicate other ORCON pre-approval agreements remain valid and shall be applied as appropriate.

(U) Note: USG Executive Branch Departments and Agencies must contact their Office of Legislative Affairs (OLA) for guidance in determining the appropriate Congressional Intelligence Committee recipient(s).

(U) Further Guidance (cite additional issuances):

- EO 13526
- ICD 710
- ICPG 710.1

(U) Applicability: Available for use by all IC agencies.

(U) Additional Marking Instructions:

- Applicable level(s) of classification: May only be used with TOP SECRET, SECRET, CONFIDENTIAL.

(U) Relationship(s) to Other Markings:

- May not be used with ORCON in a portion mark or banner line.
- May be used with NOFORN, REL TO, DISPLAY ONLY.
- May not be used with RELIDO.

(U) Precedence Rules for Banner Line Guidance: When a document contains both ORCON-USGOV portions and ORCON portions, ORCON takes precedence within the banner line.

(U) Commingling rule(s) within a portion:

- May be commingled within the same portion with SCI/SAP, AEA, FGI, and other dissemination controls, to include foreign disclosure and release markings, when appropriate, if the commingled information meets one or more of the ORCON use criteria as described in ICPG 710.1 paragraph D.3 and is pre-approved for dissemination to the USGOV. *(USGOV is defined as the Executive Departments/Agencies and to Congressional Intelligence Committee(s) with oversight functions and responsibilities.)*
- If a portion contains both ORCON and ORCON-USGOV information, ORCON takes precedence in the portion mark.
- All roll-up rules for control markings used in conjunction with the ORCON-USGOV marking remain applicable. See specific templates for additional roll-up guidance.

(U) Notes:

- Information marked ORCON-USGOV may be shared on IC SCOs in accordance with ICPG 710.1.
- Information bearing the new marking may be stored, transmitted, posted or retrieved from CLASSIFIED electronic systems, databases, repositories, networks, or WebPages in IC secure collaborative environments that have the ability to limit access to users who are employed by, assigned to, or acting on behalf of an Executive Branch department/agency.
- Finished intelligence products bearing the marking may be stored, transmitted, posted, or retrieved from CLASSIFIED electronic systems, databases, repositories, networks, or WebPages in secure collaborative environments by Congressional Intelligence Committee(s) who have oversight functions and responsibilities (recipients must consult with their legislative affairs offices on guidance to determine appropriate oversight committees).
- Information marked ORCON-USGOV may not reside or be transmitted over unclassified systems or unclassified sharing environments of any kind.
- (U) Legacy information (e.g., portions extracted, reintroduced into the working environment from a resting state): The ORCON-USGOV marking may be authorized for use on legacy ORCON information only by originators, as appropriate. Contact the originating agency for guidance. The ORCON-USGOV marking does not replace any legacy marking.

(U) Derivative Use: (i.e., re-use of information in whole or in part in other intelligence products): Information bearing this marking may be extracted and used in other finished intelligence briefings and products, provided the briefings or products are presented or distributed only to original and pre-approved recipients of the Executive Branch departments/agencies or Congressional Intelligence Committees. If the producer wishes to disseminate to other organizations outside the Executive Branch or Congressional Intelligence Committees; they must seek approval from the originating agency.

(U) Distribution Statements, Warnings, etc: There may be certain types of ORCON-USGOV information that require the addition of a distribution or warning statement in addition to the new marking. When this occurs, the required distribution or warning statement should not repeat or re-state what the new marking means, but rather will provide the necessary additional direction.

(U) Notional Example Page 1:

TOP SECRET//SI-G//ORCON-USGOV/NOFORN

(TS//SI-G//OC-USGOV/NF) This is the portion mark for a portion that is classified TOP SECRET, contains SI-G information, is controlled as ORCON-USGOV information, and is not authorized for release to foreign nationals. These markings are for training purposes only.

(C//NF) This is the portion mark for a portion that is classified CONFIDENTIAL and is not authorized for release to foreign nationals. These marking are for training purposes only.

(U) Note: The classification authority block is required on all US classified NSI. See the ISOO Implementing Directive and General Marking Guidance Section of this document for more information.

TOP SECRET//SI-G//ORCON-USGOV/NOFORN

(U) Notional Example Page 2:

TOP SECRET//SI-G//ORCON/NOFORN

(TS//SI-G//OC-USGOV/NF) This is the portion mark for a portion that is classified TOP SECRET, contains SI-G information, is controlled as ORCON-USGOV information, and is not authorized for foreign release to foreign nationals. These markings are for training purposes only.

(S//OC/NF) This is the portion mark for a portion that is classified SECRET, is controlled as ORCON information, and is not authorized for foreign release to foreign nationals. These marking are for training purposes only.

(U) Note: The classification authority block is required on all US classified NSI. See the ISOO Implementing Directive and General Marking Guidance Section of this document for more information.

TOP SECRET//SI-G//ORCON/NOFORN

(b)(3)

(U) CONTROLLED IMAGERY

- (U) Authorized Banner Line Marking Title:** CONTROLLED IMAGERY
- (U) Authorized Banner Line Abbreviation:** IMCON
- (U) Authorized Portion Mark:** IMC
- (U) Example Banner Line:** SECRET//CONTROLLED IMAGERY//[Explicit FD&R]
- (U) Example Portion Mark:** (S//IMC//[Explicit FD&R])
- (U) Marking Sponsor/Policy Basis:** DNI/National Security Act of 1947, §103 (c)(5)

(U//~~FOUO~~) Definition: [Redacted]

- (U) Further Guidance:**
 - DCID 6/6, §IX.C and Annex B
 - NGA, *Sensitive Analytical Techniques Procedural Guide*, Feb 2006

(U) Applicability: Available for use by all IC agencies.

- (U) Additional Marking Instructions:**
 - Applicable level(s) of classification: IMCON material must be classified as SECRET.
 - IMCON Information, without NOFORN, no longer carries an implied release to AUS, CAN, GBR, and NZL and requires explicit use of REL TO per ICD 710 (i.e., S//IMC/REL TO USA, AUS, CAN, GBR, NZL).

(U) Relationship(s) to Other Markings: May be used with NOFORN when appropriate and approved by the SATP.

- (U) Precedence Rules for Banner Line Guidance:**
 - IMCON must always appear in the banner line if any portion contains IMCON information.
 - A document that contains both IMCON and NOFORN portions must be marked [class level]//IMCON/NOFORN in the banner line.

(U) Commingling Rule(s) Within a Portion: If IMCON information is included in a portion containing additional TOP SECRET releasable to Five Eyes information; the paragraph would be marked as (TS//IMC/REL TO USA, AUS, CAN, GBR, NZL). The overall classification level would be TOP SECRET//IMCON/[Explicit FD&R].

- (U) Notes:**
 - IMCON information is not releasable to third parties without specific approval from the originating agency and the SATP.
 - Information bearing (S//IMC/REL TO USA, AUS, CAN, GBR, NZL) at the beginning of a paragraph may be disseminated to those countries without receiving prior approval from the originating agency. Dissemination to other entities is prohibited without the prior written approval of the originating agency and the SATP.
 - This information may be used freely in Community and Command databases and may be disseminated to US military units and Intelligence Community agencies. However, products containing IMCON information are not

permitted on SECRET Networks (SIPRNET) without prior written approval by the SAT Panel Chair, (202) 284-5926 or secure 813-7121.

(U) Distribution Statements, Warnings, etc:

- (U) Although DCID 6/6 indicates that the IMCON notice is no longer required beyond 1 April 2002, the Imagery Policy and Security Committee (IPSCOM) approved its continued use indefinitely. For additional information on releasability and NOFORN issues, please contact the SAT Panel Chair, (202) 284-5926 or secure 813-7121.
- (U) Imagery and/or text reporting bearing the IMCON restriction requires the following "Notice" statement:
"**(U//FOUO) NOTICE: This document contains references to Sensitive Analytical Techniques (IMCON information). Further reuse or dissemination of this information beyond USA requires written approval of the NGA Disclosure Officer, (571) 557-5650 or secure 578-5650. IMCON information is not permitted on SECRET Networks (SIPRnet) without prior written approval by the SAT Panel Chair.**"

(U) Derivative Use (i.e., re-use of information in whole or in part in intelligence products): IMCON information may be sourced in accordance with relevant IC policy and/or procedures. See above precedence and commingling rules.

(U) Notional Example Page 1:

SECRET//IMCON/REL TO USA, AUS, CAN, GBR, NZL

[Insert IMCON Notice]

(S//IMC/REL TO USA, AUS, CAN, GBR, NZL) This is the portion mark for a portion that is classified SECRET CONTROLLED IMAGERY, and is authorized for release to Australia, Canada, United Kingdom, and New Zealand. This portion must contain only US classified information that is releasable to Australia, Canada, United Kingdom, and New Zealand. This portion is marked for training purposes only.

(U) Note: The classification authority block is required on all US classified NSI. See the ISOO Implementing Directive and General Marking Guidance Section of this document for more information.

SECRET//IMCON/REL TO USA, AUS, CAN, GBR, NZL

(U) Notional Example Page 2:

TOP SECRET//IMCON/NOFORN

[Insert IMCON Notice]

(S//IMC/REL TO USA, AUS, CAN, GBR, NZL) This is the portion mark for a portion that is classified SECRET CONTROLLED IMAGERY and is authorized for release to Australia, Canada, United Kingdom, and New Zealand. This portion must contain only US classified information that is releasable to Australia, Canada, United Kingdom, and New Zealand. This portion is marked for training purposes only.

(TS//NF) This is the portion mark for a portion that is classified TOP SECRET and not releasable to foreign nationals. This portion is marked for training purposes only.

(U) Note: The classification authority block is required on all US classified NSI. See the ISOO Implementing Directive and General Marking Guidance Section of this document for more information.

TOP SECRET//IMCON/NOFORN

(U) NOT RELEASABLE TO FOREIGN NATIONALS

- (U) Authorized Banner Line Marking Title:** NOT RELEASABLE TO FOREIGN NATIONALS
- (U) Authorized Banner Line Abbreviation:** NOFORN
- (U) Authorized Portion Mark:** .NF
- (U) Example Banner Line:** TOP SECRET//NOFORN
- (U) Example Portion Mark:** (S//NF)
- (U) Marking Sponsor/Policy Basis:** DNI/National Security Act of 1947, as amended, §103 (c)(5)

(U) Definition: NOFORN is an explicit foreign release marking used to indicate the information may not be released in any form to foreign governments, foreign nationals, foreign organizations, or non-US citizens without permission of the originator and in accordance with provisions of DCID 6/7, ICD 403, NDP-1, and implementation guidance in this document.

(U) Further Guidance:

- IRPTA 2004
- EO 13526
- EO 12333, as amended
- DCID 6/6, §IX.E
- ICPG 403.1
- ICD 710
- NDP-1
- Specific DNI CONOPS or other policy issuances specific to US support to ensure proper handling requirements are met

(U) Applicability: Available for use by all IC agencies.

(U) Additional Marking Instructions: Applicable level(s) of classification: May be used with TOP SECRET, SECRET, CONFIDENTIAL, or UNCLASSIFIED.

(U) Relationship(s) to Other Markings: Cannot be used with REL TO, RELIDO, EYES ONLY, or DISPLAY ONLY.

(U) Precedence Rules for Banner Line Guidance:

- NOFORN always rolls-up to the banner line if it appears in any portion of a document. As the most restrictive foreign disclosure and release marking, NOFORN takes precedence in the banner line over all other FD&R markings (REL TO, RELIDO, EYES ONLY, or DISPLAY ONLY). (Example 1)
- NOFORN shall be used in the banner line if all portions contain the REL TO marking, but there is not a common trigraph or tetragraph code among all the REL TO portions.
- NOFORN shall be used in the banner line when a document contains a mixture of RELIDO portions and REL TO portions. (Example 2)
- NOFORN shall be used in the banner line if all portions contain the DISPLAY ONLY marking, but there is not a common trigraph or tetragraph code among all the DISPLAY ONLY portions.
- NOFORN rolls-up to the banner line if any portion contains SBU-NF and/or LES-NF and other portions contain classified or unclassified IC information with Explicit FD&R marking(s). (Example 3)

(U) Commingling Rule(s) Within a Portion: May be combined with other caveated information when appropriate and the NF marking is conveyed in the portion mark.

(U) Notes:

- NOFORN is the most restrictive foreign disclosure and release marking.
- Unclassified information and unclassified information with dissemination controls may be explicitly marked with NOFORN at the portion and banner level as circumstances warrant. Explicit foreign disclosure and release markings are not required on unclassified information. Follow internal agency procedures for the use of NOFORN with unclassified information.

(U) Derivative use (i.e., re-use of information in whole or in part in intelligence products): NOFORN information may be sourced in accordance with relevant IC policy and/or procedures. See above precedence and commingling rules.

(U) Notional Example Page 1:

TOP SECRET//NOFORN

(TS//NF) This is the portion mark for a portion that is classified TOP SECRET not releasable to foreign nationals. This portion is marked for training purposes only.

(S//REL TO USA, JPN) This is the portion mark for a portion that is classified SECRET and is authorized for release to Japan. This portion must contain only US classified information that is releasable to Japan. This portion is marked for training purposes only.

(U) Note: The classification authority block is required on all US classified NSI. See the ISOO Implementing Directive and General Marking Guidance Section of this document for more information.

TOP SECRET//NOFORN

(U) Notional Example Page 2:

SECRET//NOFORN

(S//REL TO USA, JPN) This is the portion mark for a portion that is classified SECRET and is authorized for release to Japan. This portion must contain only US classified information that is releasable to Japan. This portion is marked for training purposes only.

(C//RELIDO) This is the portion mark for a portion that is classified CONFIDENTIAL and the originator has determined is releasable by an information disclosure official. This portion is marked for training purposes only.

(U) Note: Documents containing multiple portions with different foreign disclosure or release markings must be marked overall with the most protective marking, in this case NOFORN is appropriate because not all portions are marked releasable to JPN.

(U) Note: The classification authority block is required on all US classified NSI. See the ISOO Implementing Directive and General Marking Guidance Section of this document for more information.

SECRET//NOFORN

UNCLASSIFIED//~~FOUO~~

(U) Notional Example Page 3:

SECRET//NOFORN//LES

(S//REL TO USA, JPN) This is the portion mark for a portion that is classified SECRET and is authorized for release to Japan. This portion must contain only US classified information that is releasable to Japan. This portion is marked for training purposes only.

(U//LES-NF) This is the portion mark for a portion that is UNCLASSIFIED and contains LAW ENFORCEMENT SENSITIVE information not releasable to foreign nationals. This portion is marked for training purposes only.

(U) Note: The classification authority block is required on all US classified NSI. See the ISOO Implementing Directive and General Marking Guidance Section of this document for more information.

SECRET//NOFORN//LES

(U) CAUTION-PROPRIETARY INFORMATION INVOLVED

(U) Authorized Banner Line Marking Title:	CAUTION-PROPRIETARY INFORMATION INVOLVED
(U) Authorized Banner Line Abbreviation:	PROPIN
(U) Authorized Portion Mark:	PR
(U) Example Banner Line:	CONFIDENTIAL//PROPIN([Explicit FD&R])
(U) Example Portion Mark:	(S//PR/[Explicit FD&R])
(U) Marking Sponsor/Policy Basis:	DNI/DCID 6/6, §IX.D

(U) Definition: Marking used to identify information provided by a commercial firm or private source under an express or implied understanding that the information will be protected as a proprietary trade secret or proprietary data believed to have actual or potential value. This marking may be used on government proprietary information only when the government proprietary information can provide a contractor(s) an unfair advantage, such as US Government budget or financial information.

(U) Further Guidance: Trade Secrets Act (18 USC 1905)

(U) Applicability: Available for use by all IC elements.

(U) Additional Marking Instructions: Applicable level(s) of classification: May be used only with TOP SECRET, SECRET, CONFIDENTIAL or UNCLASSIFIED.

(U) Precedence Rules for Banner Line Guidance:

- The PROPIN marking must always appear in the banner line if any portion contains PROPIN information.
- When a document contains PROPIN and FOUO portions, PROPIN supersedes FOUO in the banner line.

(U) Commingling Rule(s) Within a Portion: May be combined with other caveated information when appropriate and the PR marking is conveyed in the portion mark.

(U) Notes:

- Shall not be disseminated outside the Federal Government in any form without the express permission of the originator of the intelligence and provider of the proprietary information.
- Precludes dissemination to contractors irrespective of their status to, or within, the US Government without the authorization of the originator of the intelligence and provider of the information.

(U) Derivative use (i.e., re-use of information in whole or in part in intelligence products): PROPIN information may be sourced in accordance with relevant IC policy and/or procedures. See above precedence and commingling rules.



(U) Notional Example Page:

CONFIDENTIAL//NOFORN//PROPIN

(C//NF//PR) This is the portion mark for a portion that is classified CONFIDENTIAL CAUTION-PROPRIETARY INFORMATION INVOLVED and not releasable to foreign nationals. This portion is marked for training purposes only.

(U) Note: The classification authority block is required on all US classified NSI. See the ISOO Implementing Directive and General Marking Guidance Section of this document for more information.

CONFIDENTIAL//NOFORN//PROPIN

(U) AUTHORIZED FOR RELEASE TO

- (U) Authorized Banner Line Marking Title:** AUTHORIZED FOR RELEASE TO [USA, LIST]
- (U) Authorized Banner Line Abbreviation:** REL TO [USA, LIST]
- (U) Authorized Portion Mark (when the portion's country trigraphs and/or tetragraph list is different from the banner line REL TO marking):** REL TO [USA, LIST]
- (U) Authorized Portion Mark (when the portion's country trigraphs and/or tetragraph list is the same as the banner line REL TO marking):** REL
- (U) Example Banner Line:** TOP SECRET//REL TO USA, EGY, ISR
- (U) Example Portion Mark:** (S//REL TO USA, TEYE) or (S//REL) when the portion's country trigraphs and/or tetragraph list is different from the banner line REL TO marking
- (U) Marking Sponsor/Policy Basis:** DNI/National Security Act of 1947, as amended, §103 (c)(5)

(U) Definition: REL TO is an explicit foreign release marking used to indicate the information has been predetermined by the originator to be releasable or has been released to the foreign country(ies)/international organization(s) indicated, through established foreign disclosure procedures and channels, and implementation guidance in this document. It is NOFORN to all other foreign country(ies)/international organization(s) not indicated in the REL TO marking. Per ICD 403, release is defined as the provision of classified intelligence, in writing or in any other medium, to authorized foreign recipients for retention.

(U) Further Guidance:

- IRPTA 2004
- EO 13526
- EO 12333, as amended
- DCID 6/6, §IX.F
- DCID 6/7
- ICD 403
- ICPG 403.1
- ICD 710
- NDP-1
- Specific DNI CONOPS or other policy issuances specific to US support to ensure proper handling requirements are met

(U) Applicability: Available for use by all IC elements.

(U) Additional Marking Instructions:

- Applicable level(s) of classification: May be used with TOP SECRET, SECRET, CONFIDENTIAL, or UNCLASSIFIED.
- "[USA, LIST]" pertains to the string that contains "USA" followed by one or more CAPCO Register, Annex C trigraph country code(s) or CAPCO Register, Annex A and B tetragraph code(s) used with the REL TO marking.

"USA" must always appear first whenever the REL TO string is used to communicate release decisions either by the US or a Non-US entity.

- After "USA", list the required one or more trigraph country codes in alphabetical order followed by tetragraph codes listed in alphabetical order. Each code is separated by a comma and a space.
- "REL TO USA" or "REL USA" (i.e., there is not at least one country trigraph code or tetragraph code following the USA code), is not an authorized marking and is not allowed on US intelligence information.
- Country trigraph codes/tetragraph codes are followed by a single forward slash if more dissemination controls follow, or a double forward slash if non-IC dissemination control markings follow. If no markings follow, then no text or separating characters follow the last country code/tetragraph code.

(U) Relationship(s) to Other Markings:

- Cannot be used with NOFORN or EYES ONLY.
- May be used with RELIDO.
- May be used with DISPLAY ONLY.

(U) Precedence Rules for Banner Line Guidance:

- When a document contains both NF and REL TO portions, NOFORN takes precedence for the markings within the banner line.
- When a document contains a mixture of REL TO and EYES ONLY portions, REL TO takes precedence and common country(ies) listed. Note, the EYES ONLY marking will no longer be an IC authorized marking after 09 September 2014.
- When all portions are marked REL TO, and there is at least one common trigraph/tetragraph code in every portion, REL TO will appear in the banner line. Note: At this time only the individual countries of the TEYE, ACGU, and FVEY tetragraphs codes may be used to determine common country roll-up. To determine if common country roll-up is appropriate for all other tetragraphs, seek guidance from the local foreign disclosure office. (Example 2)
- For a mixture of RELIDO portions and portions marked with REL TO, the result is NOFORN (most restrictive) in the banner line. (Example 3)
- When all portions are marked with REL TO and there is no common trigraph country code(s) or tetragraph code(s), the result is NOFORN in the banner line.
- When REL TO portions include the "Three Eyes" (TEYE), "Four Eyes" (ACGU) or "Five Eyes" (FVEY) tetragraphs, for the purposes of determining if there is a common country, either the tetragraph code or the member countries of each tetragraph may be used.

(U) Commingling Rule(s) Within a Portion: Information marked with a REL TO caveat may be combined with other cavedated information when appropriate; however, the REL TO marking will convey in the portion mark only if all information in that portion is releasable to the same "[LIST]" value(s).

(U) Notes:

- Further foreign dissemination of the material (in any form) is authorized only after obtaining permission from the originator and in accordance with DCID 6/7, ICD 403, and NDP-1. Follow internal agency procedures for obtaining foreign disclosure and release guidance on classified information.
- Unclassified information and unclassified information with dissemination controls may be explicitly marked with REL TO at the portion and banner level as circumstances warrant. Explicit foreign disclosure and release markings are not required on unclassified information. Follow internal agency procedures for the use of REL TO with unclassified information.

(U) Derivative Use (i.e., re-use of information in whole or in part in intelligence products): May be sourced when appropriate provided that:

- When extracting a portion marked with the "REL" abbreviation (e.g., S//REL) from a source document, carry forward the trigraph/tetragraph code(s) listed in the source document's banner line REL TO marking to the new portion mark. (Example 1)
- When extracting a portion marked with the "REL TO [list]" from a source document, carry forward the trigraph/tetragraph code(s) listed in the source document or taken from the instructions in the appropriate classification guide to the new portion mark. See above precedence and commingling rules.

(U) Notional Example Page 1:

TOP SECRET//REL TO USA, EGY, ISR

(TS//REL) This is the portion mark for a portion that is classified TOP SECRET authorized for release to Egypt and Israel (same as banner line). This portion is marked for training purposes only.

(U) Note: When extracting a portion marked from a source document with the REL TO marking abbreviation "REL", carry forward the trigraph/tetragraph code(s) listed in the source document's banner line REL TO marking to the new portion mark, e.g., (TS//REL TO USA, EGY, ISR).

(U) Note: The classification authority block is required on all US classified NSI. See the ISOO Implementing Directive and General Marking Guidance Section of this document for more information.

TOP SECRET//REL TO USA, EGY, ISR

(U) Notional Example Page 2:

SECRET//REL TO USA, NZL

(S//REL TO USA, JPN, NZL) This is the portion mark for a portion that is classified SECRET authorized for release to Japan and New Zealand. This portion is marked for training purposes only.

(S//REL) This is the portion mark for a portion that is classified SECRET and authorized for release to New Zealand. The abbreviated "REL" portion mark may be used when a portion is releasable to exactly the same list of countries/organizations as are listed in the banner line REL TO marking". This portion is marked for training purposes only.

(U) Note: When extracting a portion marked with the "REL" abbreviation from a source document, carry forward the trigraph/tetragraph codes listed in the source document's banner line REL TO marking to the new portion mark, e.g., (S//REL TO USA, NZL).

(U) Note: REL TO with an overlap in the country lists, roll-ups to the most restrictive list. New Zealand appears in the banner line because this country appears in all portions.

(U) Note: The classification authority block is required on all US classified NSI. See the ISOO Implementing Directive and General Marking Guidance Section of this document for more information.

SECRET//REL TO USA, NZL

(U) Notional Example Page 3:

SECRET//NOFORN

(S//REL TO USA, AUS) This is the portion mark for a portion that is classified SECRET authorized for release to Australia. This portion is marked for training purposes only.

(C//RELIDO) This is the portion mark for a portion that is classified CONFIDENTIAL and that the originator has determined is releasable by an information disclosure official. This portion is marked for training purposes only.

(U) Note: Documents containing multiple portions with different foreign disclosure or release markings must be marked overall with the most protective marking.

(U) Note: The classification authority block is required on all US classified NSI. See the ISOO Implementing Directive and General Marking Guidance Section of this document for more information.

SECRET//NOFORN

(U) RELEASABLE BY INFORMATION DISCLOSURE OFFICIAL

(U) Authorized Banner Line Marking Title:	RELEASABLE BY INFORMATION DISCLOSURE OFFICIAL
(U) Authorized Banner Line Abbreviation:	RELIDO
(U) Authorized Portion Mark:	RELIDO
(U) Example Banner Line:	TOP SECRET//TK//RELIDO
(U) Example Portion Mark:	(S//REL TO USA, AUS/RELIDO)
(U) Marking Sponsor/Policy Basis:	DNI/National Security Act of 1947, as amended, §103 (c)(5)

(U) Definition: RELIDO is a permissive foreign release marking used on information to indicate that the originator has authorized a Senior Foreign Disclosure and Release Authority (SFDR) to make further sharing decisions for unclassified intelligence material (intelligence with no restrictive dissemination controls) in accordance with the existing procedures, guidelines, and implementation guidance in this document.

(U) Further Guidance:

- DCID 6/7
- ICD 403
- ICD 401.1
- ICD 710

(U) Applicability: Available for use by all IC elements.

(U) Additional Marking Instructions: Applicable level(s) of classification: May be used with TOP SECRET, SECRET, CONFIDENTIAL, or UNCLASSIFIED.

(U) Relationship(s) to Other Markings:

- May be used independently or with REL TO.
- Cannot be used with NOFORN or DISPLAY ONLY.

(U) Precedence Rules for Banner Line Guidance:

- All classified portions and any unclassified portions explicitly marked for FD&R must be marked as RELIDO for the RELIDO marking to appear in the banner line.
- When a document contains both RELIDO and NF portions, NOFORN takes precedence in the banner line.
- When a document contains both RELIDO and DISPLAY ONLY portions, NOFORN is applied in the banner line.

(U) Commingling Rule(s) Within a Portion:

- May be combined with other caveated information when appropriate; however, the RELIDO marking is conveyed in the portion mark only when all combined information carries a RELIDO decision.

(U) Notes:

- Authorizes only SFDRAs to make further sharing decisions without consulting the originator.
- Unclassified information and unclassified information with dissemination controls may be explicitly marked with RELIDO at the portion and banner level as circumstances warrant. Explicit foreign disclosure and release

markings are not required on unclassified information. Follow internal agency procedures for the use of RELIDO with unclassified information.

(U) Derivative use (i.e., re-use of information in whole or in part in intelligence products): RELIDO information may be sourced in accordance with relevant IC policy and/or procedures. See commingling and precedence rules above.

(U) Notional Example Page 1:

TOP SECRET//TK//RELIDO

(TS//TK//RELIDO) This is the portion mark for a portion that is classified TOP SECRET and contains TALENT KEYHOLE information that the originator has determined is releasable by an information disclosure official. This portion is marked for training purposes only. This portion is marked for training purposes only.

(U) Note: The classification authority block is required on all US classified NSI. See the ISOO Implementing Directive and General Marking Guidance Section of this document for more information.

TOP SECRET//TK//RELIDO

(U) Notional Example Page 2:

SECRET//RELIDO

(S//RELIDO) This is the portion mark for a portion that is classified SECRET and that the originator has determined is releasable by an information disclosure official. This permissive dissemination control marking has exactly the same effect in terms of future sharing decisions by a SFDRAs as uncaveated SECRET, but explicitly states that a SFDRAs may make further sharing decisions in accordance with the existing procedures for uncaveated intelligence material (e.g., intelligence without restrictive dissemination controls). This portion is marked for training purposes only.

(S//REL TO USA, AUS, CAN/RELIDO) This is the portion mark for a portion that is classified SECRET for which the originator has made a release decision for the listed countries and for which the originator has further determined is releasable by an information disclosure official. This portion is marked for training purposes only.

(U) Note: RELIDO indicates that the originator has authorized SFDRAs to make further sharing decisions in accordance with the existing procedures for uncaveated intelligence material (e.g., intelligence without restrictive dissemination controls). Redaction of the "REL TO" designators by the SFDRAs may be required before the material is released in accordance with existing guidance. This portion is marked for training purposes only.

(U) Note: The reason the RELIDO marking is carried forward to the banner line is because it is stated throughout all portions. Australia and Canada cannot be applied to the overall classification of the document, because a positive release decision has not been made for portion 1. NOFORN would not be added because RELIDO removes the limited exception to NOFORN in portions 1 and 2. The overall classification still allows further release by a SFDRAs in accordance with existing sharing guidelines.

(U) Note: The classification authority block is required on all US classified NSI. See the ISOO Implementing Directive and General Marking Guidance Section of this document for more information.

SECRET//RELIDO

(U) Notional Example Page 3:

SECRET//NOFORN

(S//RELIDO) This is the portion mark for a portion that is classified **SECRET** and for which the originator has determined is releasable by an information disclosure official. This permissive dissemination control marking has exactly the same effect as uncaveated **SECRET** in terms of future sharing decisions by a SFDRA, but explicitly states that a SFDRA may make further sharing decisions in accordance with the existing procedures for uncaveated intelligence material (e.g., intelligence without restrictive dissemination controls). This portion is marked for training purposes only.

(S//REL TO USA, AUS, CAN) This is the portion mark for a portion that is classified **SECRET** in which the originator has made a release decision for the listed countries. This portion is marked for training purposes only.

(U) Note: NOFORN must be added to the banner line, because it is the most protective marking. All portions must be marked as RELIDO for the RELIDO marking to appear in the banner line.

(U) Note: The classification authority block is required on all US classified NSI. See the ISOO Implementing Directive and General Marking Guidance Section of this document for more information.

SECRET//NOFORN

(U) USA EYES ONLY**(U) Authorized Banner Line Marking Title:** USA/[Country Trigraphs] EYES ONLY**(U) Authorized Banner Line Abbreviation:** None**(U) Authorized Portion Mark:** EYES

Note: Countries do not need to be listed unless they are different from the countries listed in the EYES ONLY statement within the header and footer. If countries are different, the portion mark has the same format as the page marking listed above (i.e., USA/[country trigraphs] EYES ONLY).

(U) Example Banner Line: SECRET//USA/CAN/GBR EYES ONLY**(U) Example Portion Mark:** (TS//EYES)**(U) Marking Sponsor/Policy Basis:** NSA/CSS Classification Manual 1-52**(U) Applicability:** Agency specific.**(U) Additional Marking Instructions:**

- Applicable level(s) of classification: May be used only with TOP SECRET, SECRET and CONFIDENTIAL.
- For use on electrical SIGINT reporting only.

(U) Relationship(s) to Other Markings:

- Used with one or more Second Party CAPCO Register, Annex C trigraph country codes.
- Country trigraph codes are separated by single forward slashes (USA first, others in alphabetical order).
- Cannot be used with NOFORN or REL TO.
- Can be used with RELIDO.

(U) Precedence Rules for Banner Line Guidance:

- When a document contains both NF and EYES ONLY portions, NOFORN takes precedence in the banner line.
- When extracting EYES ONLY portions from SIGINT reporting, convert the EYES ONLY portion marks to REL TO.
- REL TO [common countries listed] takes precedence in the banner line.
- If there are no common countries listed for the REL TO and EYES ONLY portions, NOFORN must be used in the banner line.

(U) Notes: The DNI has approved a waiver for the continued use of this marking through 9 September 2014 at which time the waiver will expire automatically. All IC systems that mark and disseminate intelligence information shall be modified to reject information with the EYES ONLY markings beginning 10 September 2014.

(U) Derivative use (i.e., re-use of information in whole or in part in intelligence products): When extracting EYES ONLY portions from SIGINT reporting, convert the EYES ONLY portion marks to REL TO.

(U) Notional Example Page:

TOP SECRET//USA/CAN/GBR EYES ONLY

(TS//EYES) This is the portion mark for a portion that is classified TOP SECRET USA/CAN/GBR EYES ONLY. This portion is marked for training purposes only.

(U) Note: When extracting "EYES" abbreviated portions from SIGINT reporting convert the "EYES" portion marks to REL TO and carry forward the trigraph/tetragraph codes listed in the source document banner line to the new portion mark.

(U) Note: The classification authority block is required on all US classified NSI. See the ISOO Implementing Directive and General Marking Guidance Section of this document for more information.

TOP SECRET//USA/CAN/GBR EYES ONLY

(U) DEA SENSITIVE

(U) Note: This marking will be evaluated for continued CAPCO registration with implementation of the Controlled Unclassified Information (CUI) Program.

- (U) Authorized Banner Line Marking Title:** DEA SENSITIVE
- (U) Authorized Banner Line Abbreviation:** None
- (U) Authorized Portion Mark:** DSEN
- (U) Example Banner Line:** UNCLASSIFIED//DEA SENSITIVE
- (U) Example Portion Mark:** (U//DSEN)
- (U) Example Banner Line:** SECRET//NOFORN/DEA SENSITIVE
- (U) Marking Sponsor/Policy Basis:** DEA/Planning and Inspection Manual, Chapter 86

(U) Definition: Unclassified information originated by DEA that requires protection against unauthorized disclosure to protect sources and methods of investigative activity, evidence, and the integrity of pretrial investigative reports.

(U) Further Guidance: Control and Decontrol of DEA Sensitive Information Policy

(U) Applicability: DoJ and DoD.

(U) Additional Marking Instructions: Applicable level(s) of classification: For use with UNCLASSIFIED.

(U) Precedence Rules for Banner Line Guidance: If DSEN is contained in any portion of a document (classified or unclassified); it must appear in the banner line.

(U) Commingling Rule(s) Within a Portion:

- When a portion contains both DSEN and FOUO information, DSEN supersedes FOUO in the portion mark.
- DSEN information may be commingled in the same portion with non-DSEN information (classified or unclassified) when appropriate and if the document includes source reference citations in accordance with ICD 206, *Sourcing Requirements for Disseminated Analytic Products*, dated 17 October 2007.
 - The DSEN marking is conveyed in the portion mark.
 - The DSEN information must be identified in the source reference citations as endnotes keyed to the relevant DSEN information in the document.
- If the document does not include source reference citations in accordance with ICD 206 the DSEN portions must be segregated from all non-DSEN portions.

(U) Derivative Use (i.e., re-use of information in whole or in part in intelligence products): DSEN information may be sourced in accordance with relevant policy and/or procedures. See above precedence and commingling rules.

(U) Distribution Statements, Warnings, etc:

- DEA SENSITIVE information, material, or media will not be distributed outside of DEA except where there is a specific need for the information to be referred to other agencies for their information or action.
- The following notation will be typed, labeled or stamped on each DEA SENSITIVE document or media sent to another agency: **"(U) This document is the property of the DEA and may be distributed within the Federal**

Government (and its contractors), and to US intelligence, law enforcement, and public safety or protection officials with a need to know. Distribution beyond these entities without DEA authorization is strictly prohibited. Precautions should be taken to ensure this information is stored and/or destroyed in a manner that precludes unauthorized access. The use of information in this report is pre-approved for US government intelligence community products, including finished analytic products distributed to US Executive Branch departments/agencies. Cited portions must carry the same classification and controls, and readers of this report must hold all appropriate clearances. The information in this report may not be used in legal proceedings, for operational or intelligence collection activities, shared with foreign persons or agencies, entered into non-DEA databases for operational purposes or reproduced in additional formats unless express permission is granted by the DEA based on a written request submitted to [redacted] (Top Secret), [redacted] (Secret), or [redacted] (Unclassified)."

(U) Notional Example Page 1:

UNCLASSIFIED//DEA SENSITIVE

[Insert DSEN Warning]

(U//DSEN) This is the portion mark for a portion that is classified UNCLASSIFIED DEA SENSITIVE. This portion is marked for training purposes only.

UNCLASSIFIED//DEA SENSITIVE

(U) Notional Example Page 2:

SECRET//NOFORN/DEA SENSITIVE

[Insert DSEN Warning]

(U//DSEN) This is the portion mark for a portion that is classified UNCLASSIFIED DEA SENSITIVE. This portion is marked for training purposes only.

(S//NF/DSEN) This is the portion mark for a portion that is classified SECRET DEA SENSITIVE and not releasable to foreign nationals. This portion is marked for training purposes only. This document must include source reference citations as endnotes keyed to the relevant DSEN information, as required by ICD 206.

(U) Note: The classification authority block is required on all US classified NSI. See the ISOO Implementing Directive and General Marking Guidance Section of this document for more information.

SECRET//NOFORN//DEA SENSITIVE

(U) FOREIGN INTELLIGENCE SURVEILLANCE ACT**(U) Authorized Banner Line Marking Title:** FOREIGN INTELLIGENCE SURVEILLANCE ACT**(U) Authorized Banner Line Abbreviation:** FISA**(U) Authorized Portion Mark:** FISA**(U) Example Banner Line:** TOP SECRET//[Explicit FD&R]/FISA**(U) Example Portion Mark:** (S//[Explicit FD&R]/FISA)**(U) Marking Sponsor/Policy Basis:** DNI/US Code Title 50, Chapter 36**(U) Definition:** The Foreign Intelligence Surveillance Act (FISA) (as amended) of 1978 prescribes procedures for the physical and electronic surveillance and collection of "foreign intelligence information" between or among "foreign powers" on territory under United States control.**(U) Further guidance:**

- The FISA statute provides that information collected pursuant to the statute "may not be disclosed for law enforcement purposes unless the disclosure is accompanied by a statement that such information, or any information derived therefrom, may be used in a criminal proceeding only with advance authorization of the Attorney General." (50 USC 1806, 1825, 1845).
- The statement required by the FISA statute is commonly referred to as a "FISA Warning."
- Contact originating agency or local security/legal office for specific guidance.

(U) Applicability: Agency specific.**(U) Additional Marking Instructions:**

- Applicable level(s) of classification: May be used only with TOP SECRET, SECRET, CONFIDENTIAL, or UNCLASSIFIED.
- Marking denotes the presence of FISA material in the document.
- This is an informational marking only to highlight FISA content and does not eliminate or alter the requirement to carry a FISA warning as required by law or organizational procedures.

(U) Precedence Rules for Banner Line Guidance: If the FISA marking is contained in any portion of a document (classified or unclassified) it must appear in the banner line.**(U) Commingling Rule(s) Within a Portion:** May be combined with other caveated information when appropriate and the FISA marking must be conveyed in the portion mark.**(U) Derivative Use (i.e., re-use of information in whole or in part in intelligence products):** FISA marked information may be sourced in accordance with relevant policy and/or procedures. See above precedence and commingling rules.**(U) Distribution Statements, Warnings, etc:** Applicable FISA Warning(s) are to be collocated with the FISA information within the body of the document; however, due to formatting constraints of some electronically generated documents, the FISA Warning may appear in the header or footer of the document.



(U) Notional Example Page:

TOP SECRET//NOFORN/FISA

[Insert Applicable FISA Warning]

(TS//NF/FISA) This is the portion mark for TOP SECRET FOREIGN INTELLIGENCE SURVEILLANCE ACT information that is not releasable to foreign nationals. This portion is marked for training purposes only.

(U) Note: The classification authority block is required on all US classified NSI. See the ISOO Implementing Directive and General Marking Guidance Section of this document for more information.

TOP SECRET//NOFORN/FISA

(U) DISPLAY ONLY

- (U) Authorized Banner Line Marking Title:** DISPLAY ONLY [LIST]
- (U) Authorized Banner Line Abbreviation:** None
- (U) Authorized Portion Mark:** DISPLAY ONLY [LIST]
- (U) Example Banner Line:** SECRET//DISPLAY ONLY IRQ
- (U) Example Portion Mark:** (S//DISPLAY ONLY IRQ)
- (U) Example Banner Line with Multiple Countries:** CONFIDENTIAL//DISPLAY ONLY AFG, IRQ
- (U) Example Portion Mark with Multiple Countries:** (C//DISPLAY ONLY AFG, IRQ)
- (U) Marking Sponsor/Policy Basis:** DNI National Security Act of 1947, as amended

(U) Definition (Description): This marking is used to indicate the information is authorized for disclosure without providing the foreign recipient with a physical copy for retention, regardless of medium to the foreign country(ies)/international organization(s) indicated, through established foreign disclosure procedures and channels, and implementation guidance in this document. Per ICD 403, disclosure is defined as displaying or revealing classified intelligence whether orally, in writing, or in any other medium to an authorized foreign recipient without providing the foreign recipient a copy of such information for retention.

(U) Further Guidance:

- IRPTA 2004
- EO 13526
- EO 12333, as amended
- DCID 6/7
- ICD 403.1
- ICD 710
- Specific DNI CONOPS or other policy issuances specific to US support to ensure proper handling requirements are met

(U) Applicability: Available for use by all IC agencies.

(U) Additional Marking Instructions:

- Applicable level(s) of classification: May be used only with TOP SECRET, SECRET, CONFIDENTIAL, or UNCLASSIFIED.
- "[LIST]" pertains to the CAPCO Annex C country trigraph code(s) or CAPCO Annexes A and B tetragraph code(s) used with the DISPLAY ONLY marking. Country codes are listed alphabetically followed by tetragraph codes in alphabetical order. Multiple codes shall be separated by commas with an interjected space. Authorized codes are provided in the CAPCO Register Annexes.

(U) Relationship(s) to Other Markings:

- May not be used with any other dissemination control marking in the portion and banner line, unless consistent with IC directives and established intelligence sharing arrangements and procedures. For example, DNI policy may authorize the use of REL TO in conjunction with DISPLAY ONLY under certain circumstances.
- Cannot be used with RELIDO or NOFORN.

(U) Precedence Rules for Banner Line Guidance:

- DISPLAY ONLY appears in the banner line when all portions are only marked DISPLAY ONLY, and there is at least one common "[LIST]" value among all portions. (Examples 1 and 2) If no common "[LIST]" value exists among the DISPLAY ONLY portions, then NOFORN shall be applied. (Example 3)
- DISPLAY ONLY [LIST] appears in the banner line when some portions are marked DISPLAY ONLY and other portions are marked REL TO, and there is at least one common value among all the [LIST] values in all portions (Example 4). **Note:** In this case, the roll-up to DISPLAY ONLY is the most restrictive marking and reflects the concept that any US intelligence information approved for release to a given audience has automatically been approved for disclosure to that audience.
- REL TO and DISPLAY ONLY both appear in the banner line when all portions are marked with both REL TO and DISPLAY ONLY, and there is at least one common "[LIST]" value among all REL TO [USA, LIST] portions and at least one common "[LIST]" value among all the DISPLAY ONLY [LIST] portions. (Example 5)
- NOFORN appears in the banner line when there is a mixture of REL TO portions and DISPLAY ONLY portions, but not a single common "[LIST]" or "[USA, LIST]" value(s) among any of the portions. (Example 6)
- NOFORN appears in the banner line when there is a mixture of RELIDO portions and DISPLAY ONLY portions. (Example 7)

(U) Commingling rule(s) within a portion: DISPLAY ONLY can be used in conjunction with REL TO when all information within the portion has been reviewed through the originator's foreign disclosure channels and approved for disclosure and release to separate CAPCO Register, Annex C trigraph country code(s) or CAPCO Register, Annex A and B tetragraph code(s).

(U) Notes:

- Classified intelligence marked with DISPLAY ONLY is eligible for disclosure (not release) to the one or more CAPCO Register, Annex C trigraph country code(s) or CAPCO Register, Annex A and B tetragraph code(s) consistent with appropriate Executive Orders and IC directives/guidelines pertaining to the release and disclosure of classified intelligence information and in accordance with established international arrangements and appropriate foreign disclosure approval processes and procedures.
- Classified intelligence marked DISPLAY ONLY may not be further disclosed beyond its original authorized intended use without prior approval of the originator and consistent with IC directives/guidelines and established intelligence sharing arrangements and procedures.
- Classified intelligence marked DISPLAY ONLY must remain under US control and follow specified US control, handling, and storage procedures for classified information at all times.
- Unclassified information and unclassified information with dissemination controls may be explicitly marked with DISPLAY ONLY at the portion and banner level as circumstances warrant. Explicit foreign disclosure and release markings are not required on unclassified information. Follow internal agency procedures for the use of DISPLAY ONLY with unclassified information.

(U) Legacy documents (e.g., portions extracted, reintroduced into the working environment from a resting state): Information marked as SECRET SENSITIVE DISPLAY ONLY, DISPLAY ONLY TO [LIST], FOR DISPLAY ONLY [LIST], or other marking to denote a disclosure decision shall not be used. Any documents dated before publication of Register Version 4.1, which contain these markings should be referred to the originating agency prior to re-use.

(U) Derivative Use: (i.e., re-use of information in whole or in part in other intelligence products): When the DISPLAY ONLY caveat statement (noted below) is present on US classified intelligence information, derivative use of this information into other products, including other purposes, and other countries or international organizations is prohibited without prior authorization from the originating agency. Once authorization to use as a derivative source is received, the caveat must be removed from the derived product.

(U) Distribution Statements, Warnings, etc: Information marked DISPLAY ONLY or when REL TO is used in conjunction with DISPLAY ONLY that is not authorized to be used as a derivative source into other products, shall be marked with the following caveat conspicuously located on the first page – top preferred: **"(U) Derivative use of this DISPLAY ONLY or REL TO in conjunction with DISPLAY ONLY marked information into other products is prohibited without prior authorization from the originating agency. Disclosure of DISPLAY ONLY or REL TO in**

conjunction with DISPLAY ONLY information is not authorized for other purposes or for disclosure or release and disclosure to other countries, international organizations, or coalitions not specified in the banner line or portion mark. Removal of this caveat is required once authorization is received by the originating agency."

(U) Notional Example Page 1:

SECRET//DISPLAY ONLY AFG

[Insert DISPLAY ONLY caveat when derivative use is not authorized by the originator]

(S//DISPLAY ONLY AFG) This portion is classified SECRET and is authorized for DISPLAY ONLY Afghanistan. This portion is marked for training purposes only.

(S//DISPLAY ONLY AFG) This portion is classified SECRET and is authorized for DISPLAY ONLY Afghanistan. This portion is marked for training purposes only.

(S//DISPLAY ONLY AFG) This portion is classified SECRET and is authorized for DISPLAY ONLY Afghanistan. This portion is marked for training purposes only.

(U) Note: The classification authority block is required on all US classified NSI. See the ISOO Implementing Directive and General Marking Guidance Section of this document for more information.

SECRET//DISPLAY ONLY AFG

(U) Notional Example Page 2:

SECRET//DISPLAY ONLY AFG

[Insert DISPLAY ONLY caveat when derivative use is not authorized by the originator]

(S//DISPLAY ONLY AFG) This portion is classified SECRET and is authorized for DISPLAY ONLY to Afghanistan. This portion is marked for training purposes only.

(S//DISPLAY ONLY AFG, IRQ) This portion is classified SECRET and is authorized for DISPLAY ONLY to Afghanistan and Iraq. This portion is marked for training purposes only.

(U) Note: The classification authority block is required on all US classified NSI. See the ISOO Implementing Directive and General Marking Guidance Section of this document for more information.

SECRET//DISPLAY ONLY AFG

(U) Notional Example Page 3:

SECRET//NOFORN

[Insert DISPLAY ONLY caveat when derivative use is not authorized by the originator]

(S// DISPLAY ONLY AFG) This portion is classified SECRET and is authorized for DISPLAY ONLY to Afghanistan. This portion is marked for training purposes only.

(S// DISPLAY ONLY IRQ) This portion is classified SECRET and is authorized for DISPLAY ONLY to Iraq. This portion is marked for training purposes only.

(U) Note: The classification authority block is required on all US classified NSI. See the ISOO Implementing Directive and General Marking Guidance Section of this document for more information.

SECRET//NOFORN

(U) Notional Example Page 4:

SECRET//DISPLAY ONLY IRQ

[Insert DISPLAY ONLY caveat when derivative use is not authorized by the originator]

(S//REL TO USA, IRQ) This is the portion mark for a portion that is classified SECRET authorized for release to Iraq. This portion is marked for training purposes only.

(S//DISPLAY ONLY IRQ) This is the portion mark for a portion that is classified SECRET authorized for DISPLAY ONLY Afghanistan. This portion is marked for training purposes only.

(U) In this case, the roll-up to DISPLAY ONLY IRQ is the most restrictive marking and reflects that any US intelligence information approved for release to a given audience has automatically been approved for disclosure to that audience.

(U) Note: The classification authority block is required on all US classified NSI. See the ISOO implementing Directive and General Marking Guidance Section of this document for more information.

SECRET//DISPLAY ONLY IRQ

(U) Notional Example Page 5:

SECRET//REL TO USA, IRQ/DISPLAY ONLY AFG

[Insert DISPLAY ONLY caveat when derivative use is not authorized by the originator]

(S//REL TO USA, IRQ/DISPLAY ONLY AFG) This portion is classified SECRET and is authorized for release to Iraq and DISPLAY ONLY to Afghanistan. This portion is marked for training purposes only.

(S//REL TO USA, IRQ/DISPLAY ONLY AFG) This portion is classified SECRET and is authorized for release to Iraq and DISPLAY ONLY to Afghanistan. This portion is marked for training purposes only.

(U) Note: The classification authority block is required on all US classified NSI. See the ISOO implementing Directive and General Marking Guidance Section of this document for more information.

SECRET//REL TO USA, IRQ/DISPLAY ONLY AFG

(U) Notional Example Page 6:

SECRET//NOFORN

[Insert DISPLAY ONLY caveat when derivative use is not authorized by the originator]

(S//REL TO USA, AFG/DISPLAY ONLY IRQ) This portion is classified SECRET and is authorized for release to Afghanistan and DISPLAY ONLY to Iraq. This portion is marked for training purposes only.

(S//REL TO USA, GBR/DISPLAY ONLY PAK) This portion is classified SECRET and is authorized for release to United Kingdom and DISPLAY ONLY to Afghanistan. This portion is marked for training purposes only.

(U) Note: The classification authority block is required on all US classified NSI. See the ISOO implementing Directive and General Marking Guidance Section of this document for more information.

SECRET//NOFORN

(U) Notional Example Page 7:

SECRET//NOFORN

[Insert DISPLAY ONLY caveat when derivative use is not authorized by the originator]

(S// DISPLAY ONLY IRQ) This portion is classified SECRET and is authorized for DISPLAY ONLY to Iraq. This portion is marked for training purposes only.

(S//RELIDO) This portion is classified SECRET and the originator has determined is releaseable by an information disclosure official. This portion is marked for training purposes only.

(U) Note: The classification authority block is required on all US classified NSI. See the ISOO implementing Directive and General Marking Guidance Section of this document for more information.

SECRET//NOFORN

9. (U) Non-Intelligence Community Dissemination Control Markings

(U) General Information

(U) Non-Intelligence Community dissemination control markings are markings authorized for use by entities outside of the Intelligence Community. They are included in the *Register* to provide guidance on handling documents that bear them. Their inclusion in the *Register* does not authorize other Agencies to use these markings.

(U) Multiple entries may be used in the Non-Intelligence Community Dissemination Control Markings category if applicable. If multiple entries are used, they are listed in the order in which they appear in the *Register*. Use a single forward slash with no interjected space as the separator between multiple Non-Intelligence Community dissemination control markings.

(U) ICD 710 Foreign Release Markings

(U) Classified information, as defined by and under the purview of ICD 710, shall be explicitly marked for appropriate foreign disclosure and release at the portion and banner level. Originators of intelligence information are responsible for determining appropriate classification markings for the information they produce, and for applying the appropriate control markings that implement DNI guidelines for dissemination (foreign and domestic).

(U) ICD 710 is not applicable to classified military information falling under the purview of National Policy and Procedures for the Disclosure of Classified Military Information to Foreign Governments and International Organizations (short title: National Disclosure Policy-1 [NDP-1]). Within the Department of Defense, application of foreign release markings is accomplished by the Foreign Disclosure Officer (FDO) when foreign release is needed.

(U) Non-IC Classified Information with dissemination controls used as a derivative source

(U) When sourcing from Non-IC originated classified material that bears a dissemination control(s) but without an explicit foreign disclosure and release decision, *in the absence of a formal agreement or notification between the non-IC organization and the IC element on handling requirements (including guidance from the Non-IC element marking sponsor included in this document)*, contact the originating agency or local foreign disclosure office for further guidance.

(U) The following Non-Intelligence Community dissemination control markings and their respective marking sponsor(s) are listed in the order as they appear in the *Register*:

- LIMITED DISTRIBUTION (NGA)
- EXCLUSIVE DISTRIBUTION (DoS)
- NO DISTRIBUTION (DoS)
- SENSITIVE BUT UNCLASSIFIED (DoS)
- SENSITIVE BUT UNCLASSIFIED NOFORN (DoS)
- LAW ENFORCEMENT SENSITIVE (Various Agencies)
- LAW ENFORCEMENT SENSITIVE NOFORN (Various Agencies)
- SPECIAL SECURITY INFORMATION (DHS)

(U) LIMITED DISTRIBUTION

(U) Note: This marking will be evaluated for continued CAPCO registration with implementation of the Controlled Unclassified Information (CUI) Program.

- (U) Authorized Banner Line Marking Title:** LIMITED DISTRIBUTION
- (U) Authorized Banner Line Abbreviation:** LIMDIS
- (U) Authorized Portion mark:** DS
- (U) Example Banner Line:** UNCLASSIFIED//LIMITED DISTRIBUTION
- (U) Example Portion Mark:** (U//DS)
- (U) Marking Sponsor/Policy Basis:** NGA/10 USC, §455

(U) Definition: Marking used to identify unclassified geospatial products and data sets, which the Secretary of Defense may withhold from public release.

- (U) Further Guidance:**
- NSG GEOINT Security Classification Guide
 - NSGM documentation

(U) Applicability: National Geospatial-Intelligence Agency (NGA).

(U) Additional Marking Instructions: Applicable level(s) of classification: For use with UNCLASSIFIED.

(U) Precedence Rules for Banner Line Guidance: If LIMDIS is contained in any portion of a classified or unclassified document; it must appear in the banner line.

(U) Commingling Rule(s) Within a Portion: May not be combined with non-LIMDIS UNCLASSIFIED, specific copyrighted, or FOUO information.

(U) Notes: LIMDIS data may not be disseminated outside DoD or DoD contractor control without the express permission of a NGA Release Officer.

(U) Derivative Use (i.e., re-use of information in whole or in part in intelligence products): Those that receive and source LIMDIS information MUST carry the LIMDIS marking and the caveat statement forward on the information designated and marked as such.

(U) Distribution Statements, Warnings, etc: LIMDIS geospatial data must be marked with the LIMDIS caveat. See the Notional Example for the text of the required LIMDIS caveat (bolded text).

(U) Notional Example Page 1:

UNCLASSIFIED//LIMITED DISTRIBUTION

(U//DS) This is the portion mark for a portion that is UNCLASSIFIED LIMITED DISTRIBUTION. This portion is marked for training purposes only.

(U) Distribution authorized to DoD, IAW 10 U.S.C. §§130 & 455. Release authorized to U.S. DoD contractors IAW 48 C.F.R. §252.245-7000. Refer other requests to: Headquarters, NGA, ATTN: Release Officer, Mail Stop S86-OIA, 7500 GEOINT Drive, Springfield, VA 22150. Destroy IAW DoDD 5030.59.

UNCLASSIFIED//LIMITED DISTRIBUTION

(U) Notional Example Page 2:

SECRET//NOFORN//LIMITED DISTRIBUTION

(U//DS) This is the portion mark for a portion that is UNCLASSIFIED LIMITED DISTRIBUTION. This portion is marked for training purposes only.

(S//NF) This is the portion mark for a portion that is classified SECRET and not releasable to foreign nationals. This portion is marked for training purposes only.

(U) Note: The classification authority block is required on all US classified NSI. See the ISOO Implementing Directive and General Marking Guidance Section of this document for more information.

(U) Distribution authorized to DoD, IAW 10 U.S.C. §§130 & 455. Release authorized to U.S. DoD contractors IAW 48 C.F.R. §252.245-7000. Refer other requests to: Headquarters, NGA, ATTN: Release Officer, Mail Stop S86-OIA, 7500 GEOINT Drive, Springfield, VA 22150. Destroy IAW DoDD 5030.59.

SECRET//NOFORN//LIMITED DISTRIBUTION

(U) EXCLUSIVE DISTRIBUTION

(U) Authorized Banner Line Marking Title:	EXCLUSIVE DISTRIBUTION
(U) Authorized Banner Line Abbreviation:	EXDIS
(U) Authorized Portion Mark:	XD
(U) Example Banner Line:	SECRET//NOFORN//EXDIS
(U) Example Portion Mark:	(S//NF//XD)
(U) Marking Sponsor/Policy Basis:	DoS/5 FAH-2 §H-442.6

(U) Definition: Information with exclusive distribution to officers with essential need-to-know. This caption is used only for highly sensitive traffic between the White House, the Secretary, Deputy, or Under Secretaries of State and Chiefs of Missions.

- (U) Further Guidance:**
- 12 FAM 539.3
 - 5 FAH 4 §H-213

(U) Applicability: Department of State.

(U) Additional Marking Instructions: Applicable level(s) of classification: Used with classified or administratively controlled information (administratively controlled is SBU information).

- (U) Relationship(s) to Other Markings:**
- EXDIS and NODIS markings cannot be used together.
 - Requires NOFORN.

- (U) Precedence Rules for Banner Line Guidance:**
- NODIS has priority over EXDIS in the banner line if both NODIS and EXDIS portions are in the same document.
 - If EXDIS is contained in any portion of a document that does not contain one or more NODIS portions, EXDIS must appear in the banner line.
 - REL TO is not authorized in the banner line if any portion contains EXDIS information. In this case, NOFORN would convey in the banner line.
 - EXDIS takes precedence over SBU or FOUO in the banner line in an unclassified document.

- (U) Commingling Rule(s) Within a Portion:**
- EXDIS information may be commingled with SBU/SBU-NF or FOUO information within the same portion, and the EXDIS (XD) supersedes the SBU, SBU-NF, and/or FOUO in the portion mark.
 - When a portion contains both EXDIS and NODIS information, NODIS (ND) supersedes EXDIS (XD) in the portion mark.
 - EXDIS information may be commingled in the same portion with non-EXDIS information (classified or unclassified) when appropriate and if the document includes source reference citations in accordance with ICD 206, *Sourcing Requirements for Disseminated Analytic Products*, dated 17 October 2007.
 - The XD marking is conveyed in the portion mark.
 - The EXDIS information must be identified in the source reference citations as endnotes keyed to the relevant EXDIS information in the document.

- If the document does not include source reference citations in accordance with ICD 206, *Sourcing Requirements for Disseminated Analytic Products*, dated 17 October 2007, the EXDIS portions must be segregated from all non-EXDIS portions.

(U) Derivative Use (i.e., re-use of information in whole or in part in intelligence products): Reuse of material marked EXDIS requires State Department Executive Secretariat approval. They can be contacted at 202-647-1512. EXDIS information in documents bearing this special distribution caption must be treated and marked as NOFORN when re-used in intelligence products.

(U) Notional Example Page:

SECRET//NOFORN//EXDIS

(S//NF//XD) This is the portion mark for a portion that is classified SECRET EXCLUSIVE DISTRIBUTION and not releasable to foreign nationals. This portion is marked for training purposes only.

(U) Note: The classification authority block is required on all US classified NSI. See the ISOO Implementing Directive and General Marking Guidance Section of this document for more information.

SECRET//NOFORN//EXDIS

(U) NO DISTRIBUTION

(U) Authorized Banner Line Marking Title:	NO DISTRIBUTION
(U) Authorized Banner Line Abbreviation:	NODIS
(U) Authorized Portion Mark:	ND
(U) Example Banner Line:	SECRET//NOFORN//NO DISTRIBUTION
(U) Example Portion Mark:	(S//NF//ND)
(U) Marking Sponsor/Policy Basis:	DoS/5 FAH-2 §H-442.3

(U) Definition: This caption is used only on messages of the highest sensitivity between the President, the Secretary of State, and Chief of Mission. No distribution is allowed other than the addressee without the approval of the Executive Secretary.

- (U) Further Guidance:**
- 12 FAM 539.3
 - 5 FAH 4 §H-213

(U) Applicability: Department of State.

(U) Additional Marking Instructions: Applicable level(s) of classification: Used with classified or administratively controlled information (administratively controlled is SBU information).

- (U) Relationship(s) to Other Markings:**
- NODIS and EXDIS markings cannot be used together.
 - Requires NOFORN.

(U) Precedence Rules for Banner Line Guidance:

- NODIS has priority over EXDIS in the banner line if both NODIS and EXDIS portions are in the same document.
- If NODIS is contained in any portion of a document, it must appear in the banner line.
- REL TO is not authorized in the banner line if any portion contains NODIS information. In this case, NOFORN would convey in the banner line.
- NODIS takes precedence over SBU or FOUO in the banner line in an unclassified document.

(U) Commingling Rule(s) Within a Portion:

- NODIS information may be commingled with SBU/SBU-NF or FOUO information within the same portion, and the NODIS (ND) supersedes the SBU/SBU-NF or FOUO in the portion mark.
- If a portion contains both NODIS and EXDIS information, NODIS (ND) supersedes EXDIS (XD) in the portion mark.
- NODIS information may be commingled in the same portion with non-NODIS information (classified or unclassified) when appropriate and if the document includes source reference citations in accordance with ICD 206, *Sourcing Requirements for Disseminated Analytic Products*, dated 17 October 2007.
 - The ND marking is conveyed in the portion mark.
 - The NODIS information must be identified in the source reference citations as endnotes keyed to the relevant NODIS information in the document.

- If the document does not include source reference citations in accordance with ICD 206 the NODIS portions must be segregated from all non-NODIS portions.

(U) Derivative Use (i.e., re-use of information in whole or in part in intelligence products): Reuse of material marked NODIS requires State Department Executive Secretariat approval. They can be contacted at 202-647-1512. NODIS information in documents bearing this special distribution caption must be treated and marked as NOFORN when re-used in intelligence products.

(U) Notional Example Page:

SECRET//NOFORN//NODIS

(S//NF//ND) This is the portion mark for a portion that is classified SECRET NO DISTRIBUTION and not releasable to foreign nationals. This portion is marked for training purposes only.

(U) Note: The classification authority block is required on all US classified NSI. See the ISOO Implementing Directive and General Marking Guidance Section of this document for more information.

SECRET//NOFORN//NODIS

(U) SENSITIVE BUT UNCLASSIFIED

(U) Note: This marking will be evaluated for continued CAPCO registration with implementation of the Controlled Unclassified Information (CUI) Program.

- (U) Authorized Banner Line Marking Title:** SENSITIVE BUT UNCLASSIFIED
- (U) Authorized Banner Line Abbreviation:** SBU
- (U) Authorized Portion Mark:** SBU
- (U) Example Banner Line:** UNCLASSIFIED//SENSITIVE BUT UNCLASSIFIED
- (U) Example Portion Mark:** (U//SBU)
- (U) Marking Sponsor/Policy Basis:** DoS/12 FAM, §540

(U) Definition: Administrative information originated from within the Department of State, which warrants a degree of protection and administrative control and meets criteria for exemption from mandatory public disclosure under the Freedom of Information Act.

(U) Applicability: Department of State.

(U) Additional Marking Instructions:

- Applicable level(s) of classification: For use with UNCLASSIFIED.

(U) Precedence Rules for Banner Line Guidance:

- When a document contains only SBU and FOUO portions, SBU supersedes FOUO in the banner line.
- When a document contains SBU and classified portions, SBU is not used in the banner line.

(U) Commingling Rule(s) Within a Portion:

- When a portion contains both SBU and FOUO information, SBU supersedes FOUO in the portion mark.
- SBU information may be commingled in the same portion with non-SBU information (classified or unclassified) when appropriate and if the document includes source reference citations in accordance with ICD 206, *Sourcing Requirements for Disseminated Analytic Products*, dated 17 October 2007.
 - The SBU marking is conveyed in the portion mark only if the commingled portion is unclassified.
 - If the portion is classified, the classification level of the portion adequately protects the SBU information, so it is not reflected in the portion mark.
 - If commingled, the SBU information must be identified in the source reference citations as endnotes keyed to the relevant SBU information in the document.
- If the document does not include source reference citations in accordance with ICD 206, the SBU portions must be segregated from all non-SBU portions.

(U) Derivative Use (i.e., re-use of information in whole or in part in intelligence products): SBU information may be sourced in accordance with relevant policy and/or procedures. See above precedence and commingling rules.

(U) Notional Example Page 1:

UNCLASSIFIED//SBU/SSI

(U//SBU) This is the portion mark for a portion that is SENSITIVE BUT UNCLASSIFIED. This portion is marked for training purposes only.

(U//SBU/SSI) This is the portion mark for a portion that is SENSITIVE BUT UNCLASSIFIED and contains Special Security Information (SSI). This document must be sourced in accordance with ICD 206 to ensure the SSI information includes source reference citations as endnotes keyed to the relevant SSI information in the disseminated analytical product. This portion is marked for training purposes only.

(U//FOUO) This is the portion mark for an UNCLASSIFIED FOR OFFICIAL USE ONLY portion. This portion is marked for training purposes only.

UNCLASSIFIED//SBU/SSI

(U) Notional Example Page 2:

SECRET//NOFORN

(U//SBU) This is the portion mark for a portion that is SENSITIVE BUT UNCLASSIFIED. This portion is marked for training purposes only.

(S//NF) This is the portion mark for a SECRET portion that is not releasable to foreign nationals. This portion is marked for training purposes only.

(U) Note: The classification authority block is required on all US classified NSI. See the ISOO Implementing Directive and General Marking Guidance Section of this document for more information.

SECRET//NOFORN

(U) SENSITIVE BUT UNCLASSIFIED NOFORN

(U) Note: This marking will be evaluated for continued CAPCO registration with implementation of the Controlled Unclassified Information (CUI) Program.

(U) Authorized Banner Line Marking Title: SENSITIVE BUT UNCLASSIFIED NOFORN

(U) Authorized Banner Line Abbreviation: SBU NOFORN

(U) Authorized Portion Mark: SBU-NF

(U) Example Banner Line: UNCLASSIFIED//SBU NOFORN

(U) Example Portion Mark: (U//SBU-NF)

(U) Marking Sponsor/Policy Basis: DoS/12 FAM, §540

(U) Definition: Information originated within the Department of State that warrants a degree of protection and administrative control, meets criteria for exemption from mandatory public disclosure under the Freedom of Information Act, and is prohibited for dissemination to non-US citizens.

(U) Applicability: Department of State.

(U) Additional Marking Instructions: Applicable level(s) of classification: For use with UNCLASSIFIED.

(U) Precedence Rules for Banner Line Guidance:

- When a document contains both SBU-NF and FOUO portions, SBU-NF supersedes FOUO in the banner line.
- When a document contains both SBU-NF and SBU portions, SBU-NF supersedes SBU in the banner line.
- REL TO is not authorized in the banner line if any portion contains SBU NOFORN information. In this case, NOFORN would convey in the banner line.
- When a document contains both SBU-NF portions and IC dissemination control NOFORN portions or a mixture of FD&R markings that requires an overall NOFORN the IC dissemination control marking NOFORN takes precedence in the banner line (Example 3).

(U) Commingling Rule(s) Within a Portion:

- When a portion contains both SBU NOFORN and FOUO information, SBU-NF supersedes FOUO in the portion mark.
- SBU-NF information may be commingled in the same portion with non-SBU-NF information (classified or unclassified) when appropriate and if the document includes source reference citations in accordance with ICD 206, *Sourcing Requirements for Disseminated Analytic Products*, dated 17 October 2007.
 - The SBU-NF marking is conveyed in the portion mark only if the commingled portion is unclassified and there is no other NOFORN information included in the portion. If there is other NOFORN information in the commingled portion, the "SBU" marking is used and a NOFORN marking is added (e.g., (U//NF//SBU)).
 - If the portion is classified, the classification level of the portion adequately protects the SBU information, so it is not reflected in the portion mark; however a NOFORN marking is added to the portion mark (e.g., (C//NF)).
 - If commingled, the SBU-NF information must be identified in the source reference citations as endnotes keyed to the relevant SBU-NF information in the document.
- If the document does not include source reference citations in accordance with ICD 206, the SBU-NF portions must be segregated from all non-SBU-NF portions.

(U) Derivative Use (i.e., re-use of information in whole or in part in intelligence products): SBU-NF information may be sourced in accordance with relevant policy and/or procedures. See above precedence and commingling rules.

(U) Notional Example Page 1:

UNCLASSIFIED//SBU NOFORN

(U//SBU-NF) This is the portion mark for a portion that is SENSITIVE BUT UNCLASSIFIED NOFORN. This portion is marked for training purposes only.

(U//FOUO) This is the portion mark for an UNCLASSIFIED FOR OFFICIAL USE ONLY portion. This portion is marked for training purposes only.

UNCLASSIFIED//SBU NOFORN

(U) Notional Example Page 2:

SECRET//NOFORN

(U//SBU-NF) This is the portion mark for a portion that is SENSITIVE BUT UNCLASSIFIED NOFORN. This portion is marked for training purposes only.

(U//FOUO) This is the portion mark for an UNCLASSIFIED FOR OFFICIAL USE ONLY portion. This portion is marked for training purposes only.

(S//REL TO USA, AUS) This is the portion mark for a portion that is classified SECRET authorized for release to Australia. This portion is marked for training purposes only.

(U) Note: The classification authority block is required on all US classified NSI. See the ISOO Implementing Directive and General Marking Guidance Section of this document for more information.

SECRET//NOFORN

(U) Notional Example Page 3:

UNCLASSIFIED//NOFORN//SBU

(U//SBU-NF) This is the portion mark for a portion that is SENSITIVE BUT UNCLASSIFIED NOFORN. This portion is marked for training purposes only.

(U//FOUO/NF) This is the portion mark for an UNCLASSIFIED FOR OFFICIAL USE ONLY portion. This portion is marked for training purposes only.

UNCLASSIFIED//NOFORN//SBU

(U) Notional Example Page 4:

UNCLASSIFIED//NOFORN//SBU

(U//SBU-NF) This is the portion mark for a portion that is SENSITIVE BUT UNCLASSIFIED NOFORN. This portion is marked for training purposes only.

(U//REL TO USA, FVEY) This is the portion mark for an UNCLASSIFIED FOR OFFICIAL USE ONLY portion. This portion is marked for training purposes only.

UNCLASSIFIED//NOFORN//SBU

(U) LAW ENFORCEMENT SENSITIVE

(U) Note: This marking will be evaluated for continued CAPCO registration with implementation of the Controlled Unclassified Information (CUI) Program.

(U) Authorized Banner Line Marking Title:	LAW ENFORCEMENT SENSITIVE
(U) Authorized Banner Line Abbreviation:	LES
(U) Authorized Portion Mark:	LES
(U) Example Banner Line:	UNCLASSIFIED//LES
(U) Example Portion Mark:	(U//LES)
(U) Marking Sponsor/Policy Basis:	Various Agencies or elements/Various applicable agency policies and directives

(U) Definition: LAW ENFORCEMENT SENSITIVE (LES) information is unclassified information originated by agencies with law enforcement missions that may be used in criminal prosecution and requires protection against unauthorized disclosure to protect sources and methods, investigative activity, evidence, or the integrity of pretrial investigative reports. Any law enforcement agency employee or contractor in the course of performing assigned duties may designate information as LES if authorized to do so pursuant to department specific policy and directives.

(U) LES is a content indicator and handling caveat that indicates the information so marked was compiled for law enforcement purposes and contains operational law enforcement information or information that would reveal sensitive investigative techniques. LES information may be released or disclosed to foreign persons, organizations or governments with *prior approval* of the originating agency and in accordance with all applicable DNI foreign sharing agreements and directives.

(U) Further Guidance: Agencies that use the LES marking must maintain agency-specific implementation guidelines.

(U) Applicability: Agencies or elements with a Law Enforcement mission.

(U) Additional Marking Instructions: Applicable level(s) of classification: May be used only with UNCLASSIFIED information.

(U) Relationship(s) to Other Markings:

- LES in Classified Documents:
 - If the originating agency has granted release of the LES information to specific countries, the banner line may contain the appropriate REL TO [LIST] marking if all classified portions are releasable and there is at least one common "[LIST]" value among all the portions.
 - When the originating agency has granted release to foreign nationals, appropriate tearlines may be used to ensure proper dissemination of the LES information.
- LES in Unclassified Documents:
 - Mark all portions containing only LES information with "(U//LES)".
 - If the whole document is LES, portion mark every portion "(U//LES)" and use "UNCLASSIFIED//LAW ENFORCEMENT SENSITIVE" or "UNCLASSIFIED//LES" as the banner line.

(U) Precedence Rules for Banner Line Guidance:

- The LES marking always appears in the banner line if contained in any portion, regardless of classification level.
- When a document contains both (U//FOUO) and (U//LES) information, LES takes precedence in the banner line.

(U) Commingling Rule(s) Within a Portion:

- When a portion contains both LES and FOUO information, LES supersedes FOUO in the portion mark.
- LES information may be commingled in the same portion with non-LES information (classified or unclassified) when appropriate and if the document includes source reference citations in accordance with ICD 206, *Sourcing Requirements for Disseminated Analytic Products*, dated 17 October 2007.
 - The LES marking is conveyed in the portion mark.
 - The LES information must be identified in the source reference citations as endnotes keyed to the relevant LES information in the document.
- If the document does not include source reference citations in accordance with ICD 206, the LES portions must be segregated from all non-LES portions.

(U) Notes:

- Agencies that *originate* LES information may choose to disseminate the information that they have caveated LES by posting on a website on a classified network or an unclassified virtual private network with proper access controls. However, if the originating agency chooses to disseminate such intelligence only on a point-to-point basis, the warning statement will be expanded to include the statement: **"Recipients are prohibited from subsequently posting the information marked LES on a website or an unclassified network."**
- Information bearing the LES warning statement may not be used in legal proceedings without first receiving authorization from the originator.
- The originating organization may authorize other sharing of LES information (for example, with victims of a crime) when the specific circumstances justify it. If such request is granted, it is the responsibility of the individual who is sharing the information to educate its recipient on how the information must be used and protected.
- Unclassified LES information is withheld from public release until approved for release by the originator.

(U) Derivative Use (i.e., re-use of information in whole or in part in intelligence products): Those that receive and source LES information should carry the LES markings (to include the LES warning statement) forward on the information designated and marked as such. See above precedence and commingling rules.

(U) Distribution Statements, Warnings, etc:

- Documents containing LES information shall be marked on the first page with the following warning statement: **"(U) LAW ENFORCEMENT SENSITIVE: The information marked (U//LES) in this document is the property of (insert agency name here) and may be distributed within the Federal Government (and its contractors), US intelligence, law enforcement, public safety or protection officials and individuals with a need to know. Distribution beyond these entities without (insert agency name here) authorization is prohibited. Precautions should be taken to ensure this information is stored and/or destroyed in a manner that precludes unauthorized access. Information bearing the LES caveat may not be used in legal proceedings without first receiving authorization from the originating agency. Recipients are prohibited from subsequently posting the information marked LES on a website or an unclassified network."**

(U) Notional Example Page 1:

UNCLASSIFIED//LES

[Insert LES Warning]

(U//LES) This is the portion mark for a portion that is UNCLASSIFIED and contains LES information. This portion is marked for training purposes only.

(U) This is the portion mark for a portion that is UNCLASSIFIED.

UNCLASSIFIED//LES

(U) Notional Example Page 2:

UNCLASSIFIED//LAW ENFORCEMENT SENSITIVE

[Insert LES Warning]

(U//LES) This is the portion mark for a portion that is UNCLASSIFIED and contains LES information. This portion is marked for training purposes only.

(U//FOUO) This is the portion mark for a portion that is UNCLASSIFIED and contains FOR OFFICIAL USE ONLY information. This portion is marked for training purposes only.

UNCLASSIFIED//LAW ENFORCEMENT SENSITIVE

(U) Notional Example Page 3:

SECRET//REL TO USA, FVEY//LES

[Insert LES Warning]

(S//REL TO USA, FVEY) This is the portion mark for a portion that is classified SECRET, AUTHORIZED FOR RELEASE TO USA and Australia, Canada, New Zealand, and United Kingdom. This portion is marked for training purposes only.

(U//LES) This is the portion mark for a portion that is UNCLASSIFIED and contains LES information. This portion is marked for training purposes only. Because the originating agency has given authorization (in accordance with all DNI and applicable originating agency foreign disclosure and release policy) to release the LES information to the FIVE EYES it is included in this document. This portion is marked for training purposes only.

(U) Note: The classification authority block is required on all US classified NSI. See the ISOO Implementing Directive and General Marking Guidance Section of this document for more information.

SECRET//REL TO USA, FVEY//LES

(U) Notional Example Page 4:

SECRET//NOFORN//LES

[Insert LES Warning]

(S//NF) This is the portion mark for a portion that is SECRET and not authorized for foreign disclosure or release. This portion is marked for training purposes only.

(U//LES) This is the portion mark for a portion that is UNCLASSIFIED and contains LES information. This portion is marked for training purposes only. The originating agency of the LES information has not restricted foreign disclosure and release of the LES information; however, because the classified information is NOFORN, the banner line must be NOFORN. This portion is marked for training purposes only.

(U) Note: The classification authority block is required on all US classified NSI. See the ISOO Implementing Directive and General Marking Guidance Section of this document for more information.

SECRET//NOFORN//LES

(U) LAW ENFORCEMENT SENSITIVE NOFORN

(U) Note: This marking will be evaluated for continued CAPCO registration with implementation of the Controlled Unclassified Information (CUI) Program.

- (U) Authorized Banner Line Marking Title:** LAW ENFORCEMENT SENSITIVE NOFORN
- (U) Authorized Banner Line Abbreviation:** LES NOFORN
- (U) Authorized Portion Mark:** LES-NF
- (U) Example Banner Line:** UNCLASSIFIED//LES NOFORN
- (U) Example Portion Mark:** (U//LES-NF)
- (U) Marking Sponsor/Policy Basis:** Various agencies or elements/Various applicable agency policies and directives

(U) Definition: LAW ENFORCEMENT SENSITIVE NOFORN (LES-NF) information is unclassified information originated by agencies with law enforcement missions that may be used in criminal prosecution and requires protection against unauthorized disclosure to protect sources and methods, investigative activity, evidence, or the integrity of pretrial investigative reports, and is prohibited from dissemination to foreign nationals. Any law enforcement agency employee or contractor in the course of performing assigned duties may designate information as LES NOFORN if authorized to do so pursuant to department-specific policies and directives.

(U) LES NOFORN is a content indicator and handling caveat that indicates the information so marked was compiled for law enforcement purposes and contains operational law enforcement information or information that would reveal sensitive investigative techniques. LES NOFORN information may not be released or disclosed to foreign persons, organizations or governments.

(U) Further Guidance: Agencies that use the LES NOFORN marking must maintain agency-specific implementation guidelines.

(U) Applicability: Agencies or elements with a Law Enforcement mission.

(U) Additional Marking Instructions: Applicable level(s) of classification: May be used only for UNCLASSIFIED information.

(U) Relationship(s) to Other Markings:

- LES NOFORN in Classified Documents:
 - When a classified document contains LES NOFORN information, the "LES" marking is used in the banner line and NOFORN is added as a Dissemination Control Marking. For example: SECRET//NOFORN//LES.
- LES NOFORN in Unclassified Documents:
 - Mark all portions containing only LES NOFORN information with "(U//LES-NF)".
 - If the whole document is LES-NF, portion mark every portion "(U//LES-NF)" and use "UNCLASSIFIED//LAW ENFORCEMENT SENSITIVE NOFORN" or "UNCLASSIFIED//LES NOFORN" as the banner line.

(U) Precedence Rules for Banner Line Guidance:

- The LES marking always appears in the banner line if LES information (either LES or LES NOFORN) is contained in the document, regardless of the document's classification level.

- When an unclassified document contains both (U//FOUO) and (U//LES-NF) information, LES-NF takes precedence in the banner line.
- When a document contains both LES-NF portions and IC Dissemination Control NOFORN portions or a mixture of FD&R markings that requires an overall NOFORN (e.g., FD&R markings REL TO, RELIDO, and DISPLAY ONLY for guidance), the IC dissemination control marking NOFORN takes precedence in the banner line (Example 5).

(U) Commingling Rule(s) Within a Portion:

- When a portion contains both LES-NF and FOUO information, LES-NF supersedes FOUO in the portion mark.
- LES-NF information may be commingled in the same portion with non-LES-NF information (classified or unclassified) when appropriate and if the document includes source reference citations in accordance with ICD 206, *Sourcing Requirements for Disseminated Analytic Products*, dated 17 October 2007.
 - If the commingled portion contains both LES-NF and IC information that is also NOFORN, the "LES" marking is used in the portion mark and a NOFORN marking is added to the portion mark (i.e., (S//NF//LES).
 - The LES-NF information must be identified in the source reference citations as endnotes keyed to the relevant LES-NF information in the document.
- If the document does not include source reference citations in accordance with ICD 206, the LES-NF portions must be segregated from all non-LES-NF portions.

(U) Notes:

- Agencies that originate LES NOFORN information may choose to disseminate the information which they have caveated LES NOFORN by posting on a website on a classified network or an unclassified virtual private network with proper access controls. However, if the originating agency chooses to disseminate such intelligence only on a point-to-point basis, the warning statement will be expanded to include the statement: **"Recipients are prohibited from subsequently posting the information marked LES NOFORN on a website or an unclassified network."**
- Information bearing the LES NOFORN warning statement may not be used in legal proceedings without first receiving authorization from the originator.
- The originating organization may authorize other sharing of LES NOFORN information (for example, with victims of a crime) when the specific circumstances justify it. If such request is granted, it is the responsibility of the individual who is sharing the information to educate its recipient on how the information must be used and protected.
- Unclassified LES NOFORN information may not be disseminated to foreign nationals without the express written permission of the originating agency.
- Unclassified LES NOFORN information is withheld from public release until approval for release by the originator.

(U) Derivative Use (i.e., re-use of information in whole or in part in intelligence products): LES information may be derivatively sourced provided that the LES NOFORN marking is carried forward (to include the LES NOFORN warning statement) in the derivative document for information designated and marked as such.

(U) Distribution Statements, Warnings, etc: Documents containing LES NOFORN information shall be marked on the first page with the following warning statement: **"(U) LAW ENFORCEMENT SENSITIVE NOFORN: The information marked (U//LES-NF) in this document is the property of (insert agency name here) and may be distributed within the Federal Government (and its contractors), US Intelligence, law enforcement, public safety or protection officials and individuals with a need to know. Distribution beyond these entities without (insert agency name here) authorization is prohibited. Precautions should be taken to ensure this information is stored and/or destroyed in a manner that precludes unauthorized access. Information bearing the LES NOFORN caveat may not be used in legal proceedings without first receiving authorization from the originating agency. Recipients are prohibited from subsequently posting the information marked LES on a website or an unclassified network."**

(U) Notional Example Page 1:

UNCLASSIFIED//LES NOFORN

[Insert LES NOFORN Warning]

(U//LES-NF) This is the portion mark for a portion that is UNCLASSIFIED and contains LES information which is not authorized for foreign disclosure or release. This portion is marked for training purposes only.

(U) This is the portion mark for a portion that is UNCLASSIFIED.

UNCLASSIFIED//LES NOFORN

(U) Notional Example Page 2:

UNCLASSIFIED//LAW ENFORCEMENT SENSITIVE NOFORN

[Insert LES NOFORN Warning]

(U//LES-NF) This is the portion mark for a portion that is UNCLASSIFIED and contains LES information which is not authorized for foreign disclosure or release. This portion is marked for training purposes only.

(U//FOUO) This is the portion mark for a portion that is UNCLASSIFIED and contains FOR OFFICIAL USE ONLY information. This portion is marked for training purposes only.

UNCLASSIFIED//LAW ENFORCEMENT SENSITIVE NOFORN

(U) Notional Example Page 3:

SECRET//NOFORN//LES

[Insert LES NOFORN Warning]

(S//REL TO USA, FVEY) This is the portion mark for a portion that is classified SECRET AUTHORIZED FOR RELEASE TO USA and Australia, Canada, New Zealand, and United Kingdom. This portion is marked for training purposes only.

(U//LES-NF) This is the portion mark for a portion that is UNCLASSIFIED and contains LES NOFORN information. Because this portion is LES and not authorized for foreign disclosure or release, the banner line must contain both the LES and NOFORN markings; however, the IC dissemination control marking NOFORN always takes precedence in the banner line.. This portion is marked for training purposes only.

(U) Note: The classification authority block is required on all U.S classified NSI. See the ISOO Implementing Directive and General Marking Guidance Section of this document for more information.

SECRET//NOFORN//LES

(U) Notional Example Page 4:

SECRET//NOFORN//LES

[Insert LES NOFORN Warning]

(S//NF) This is the portion mark for a portion that is SECRET and not authorized for foreign disclosure or release. This portion is marked for training purposes only.

(U//LES-NF) This is the portion mark for a portion that is UNCLASSIFIED and contains LES NOFORN information. This portion is marked for training purposes only.

(U) Note: Because both portions are not authorized for foreign disclosure or release, the banner line must contain NOFORN.

(U) Note: The classification authority block is required on all U.S classified NSI. See the ISOO Implementing Directive and General Marking Guidance Section of this document for more information.

SECRET//NOFORN//LES

(U) Notional Example Page 5:

SECRET//NOFORN//LES

[Insert LES NOFORN Warning]

(S//REL TO USA, GBR) This is the portion mark for a portion that is SECRET and authorized for release to USA and United Kingdom. This portion is marked for training purposes only.

(U//LES-NF) This is the portion mark for a portion that is UNCLASSIFIED and contains LES NOFORN information. This portion is marked for training purposes only.

(U) Note: Because the second portion is not releasable to foreign nationals and overall the document is classified, the banner line must contain NOFORN.

(U) Note: The classification authority block is required on all U.S classified NSI. See the ISOO Implementing Directive and General Marking Guidance Section of this document for more information.

SECRET//NOFORN//LES

(U) SENSITIVE SECURITY INFORMATION

(U) Note: This marking will be evaluated for continued CAPCO registration with implementation of the Controlled Unclassified Information (CUI) Program.

(U) Authorized Banner Line Marking Title:	SENSITIVE SECURITY INFORMATION
(U) Authorized Banner Line Abbreviation:	SSI
(U) Authorized Portion Mark:	SSI
(U) Example Banner Line:	UNCLASSIFIED//SSI
(U) Example Portion Mark:	(U//SSI)
(U) Marking Sponsor/Policy Basis:	DHS/49 USC 114 AND 40119

(U) Definition: As defined in 49 C.F.R. 15.5 and 1520.5, information obtained or developed in the conduct of security activities, including research and development, the disclosure of which Department of Homeland Security (DHS)/Transportation Security Administration (TSA) or Department of Transportation (DOT) has determined would (1) constitute an unwarranted invasion of privacy (including, but not limited to, information contained in any personnel, medical, or similar file); (2) reveal trade secrets or privileged or confidential information obtained from any person; or (3) be detrimental to the safety or security of transportation.

(U) Further Guidance:

- Homeland Security Act of 2002, Public Law 107-296, 116 Stat. 2135 (2002), as amended
- Aviation and Transportation Security Act, Public Law 107-71, 115 Stat. 597 (2001)
- Maritime Transportation Security Act of 2002, Public Law 107-295, 116 Stat. 2064 (2002), as amended
- 49 CFR Parts 15 and 1520, Protection of Sensitive Security Information
- DHS Management Directive 11056.1, Sensitive Security Information

(U) Applicability: Government (Federal, State, and Local) and private sector entities requiring access to Federally-owned information pertaining to the conduct of transportation security. DHS and DOT are the primary users that create SSI and originally apply this marking. With the coordination of DHS, other Federal, state, local, or tribal agencies may use the SSI designation to protect transportation security-related information identified in 49 CFR Parts 15 or 1520.

(U) Additional Marking Instructions: Applicable level(s) of classification: May be used only with UNCLASSIFIED.

(U) Relationship(s) to Other Markings:

- SSI in Classified Documents:
 - If the originating agency has granted release of the SSI information to specific countries, the banner line may contain the appropriate REL TO [list] marking.
 - When the originating agency has granted release to foreign nationals, appropriate tearlines may be used to ensure proper dissemination of the SSI information.
- SSI in Unclassified Documents:
 - Mark all portions containing only SSI information with "(U//SSI)".
 - If the whole document is SSI, portion mark every portion "(U//SSI)" and use "UNCLASSIFIED//SENSITIVE SECURITY INFORMATION" or "UNCLASSIFIED//SSI" as the banner line.

(U) Precedence Rules for Banner Line Guidance:

- If the SSI marking is contained in any portion of a document it must appear in the banner line, regardless of the document's overall classification level.
- When a document contains both (U//FOUO) and (U//SSI) portions, SSI takes precedence in the banner line.

(U) Commingling Rule(s) Within a Portion:

- When a portion contains both SSI and FOUO information, SSI supersedes FOUO in the portion mark.
- SSI information may be commingled in the same portion with non-SSI information (classified or unclassified) when appropriate and if the document includes source reference citations in accordance with ICD 206, *Sourcing Requirements for Disseminated Analytic Products*, dated 17 October 2007.
 - The SSI marking is conveyed in the portion mark.
 - The SSI information must be identified in the source reference citations as endnotes keyed to the relevant SSI information in the document.
- If the document does not include source reference citations in accordance with ICD 206, the SSI portions must be segregated from all non-SSI portions.

(U) Notes:

- Unclassified SSI information is withheld from public release until approved for release by the originator.
- SSI is a caveat approved by statute to protect information, the release of which, among other things, would be detrimental to the safety or security of transportation. As it is in statute, it has absolute protections against public release through a Freedom of Information Act (FOIA) request.

(U) Derivative Use (i.e., re-use of information in whole or in part in intelligence products): While both DHS and DOT have SSI authorities, SSI encountered in the IC will be mostly DHS equities. Foreign release questions should primarily be directed to DHS at ssi@dhs.gov, who will consult with DOT as required. Should DOT need to be contacted directly, they can be reached at ssi@dot.gov.

(U) Distribution Statements, Warnings, etc:

- Documents containing SSI information shall be marked with the following warning statement placed at the bottom of each page: **"(U) Warning: This record contains Sensitive Security Information that is controlled under 49 CFR parts 15 and 1520. No part of this record may be disclosed to persons without a "need-to-know," as defined in 49 CFR parts 15 and 1520, except with the written permission of the Administrator of the Transportation Security Administration or the Secretary of Transportation. Unauthorized release may result in civil penalty or other action. For U.S. government agencies, public disclosure is governed by 5 USC 552 and 49 CFR parts 15 and 1520."**

(U) Notional Example Page 1:

UNCLASSIFIED//SSI

(U//SSI) This is the portion mark for a portion that is UNCLASSIFIED and contains SENSITIVE SECURITY INFORMATION. This portion is marked for training purposes only.

[Insert SSI Warning]

UNCLASSIFIED//SSI

(U) Notional Example Page 2:

SECRET//REL TO USA, ACGU//SSI

(S//REL TO USA, ACGU) This is the portion mark for a portion that is classified SECRET and contains SENSITIVE SECURITY INFORMATION and authorized for release to Australia, Canada, and United Kingdom. This portion is marked for training purposes only.

(U//SSI) This is the portion mark for a portion that is UNCLASSIFIED and contains SENSITIVE SECURITY INFORMATION authorized for release to Australia, Canada, and United Kingdom. This portion is marked for training purposes only.

[insert SSI Warning]

(U) Note: The classification authority block is required on all US classified NSI. See the ISOO Implementing Directive and General Marking Guidance Section of this document for more information.

SECRET//REL TO USA, ACGU//SSI

(U) Markings History

(U) Generally, information at rest marked with legacy markings does not need to be re-marked. When information containing legacy control markings is to be shared outside the originating agency, or where the information is to be incorporated, paraphrased, restated, or reintroduced into the working environment from a resting state, legacy classification and control markings, to include the classification authority block, banner line, and portion marks, shall not be carried forward to any newly created information. The information shall be marked in accordance with the CAPCO *Register and Manual* and any re-marking guidance provided in the *CAPCO Unauthorized IC Classification and Control Markings List* or other applicable agency policy directives and guidance.

(U) The CAPCO *Unauthorized IC Classification and Control Markings* list (not exhaustive) is available on the CAPCO websites and is updated as unauthorized markings are identified. The list contains the following items:

- IC element *internal* markings not authorized for information transmitted outside of the IC element
- Legacy markings no longer authorized for intelligence information
- Non-IC markings not authorized for use on intelligence information (Note: Markings are authorized only for non-IC information)
- Other unauthorized markings

(U) Banner Line Syntax History

(U) The following changes to the banner line syntax have been made since inception of the standard:

(U) This table is UNCLASSIFIED.

December 2011	Removed repeating "SAR-" for multiple SAR marking in the SAP category. Expanded SAP guidance to include an optional, standard, program hierarchy. Identified the first "SAR-" as the SAP category designator and mirrored SCI separators for SAP hierarchical levels.	Remarking of legacy information is not required. Upon re-use, if possible, the markings shall be modified to reflect the current standard, if applicable. SAP program hierarchy is optional and based on operational need.
December 2010	Created new Atomic Energy Act Information Markings category in the Banner Line. The AEA markings in this category were previously in the Dissemination Control Markings category of the banner and include: RD, -CNWDI, -SIGMA, FRD,-SIGMA, DOD UCNI, and DOE UCNI.	Remarking of legacy information is not required. Upon re-use, markings shall be modified, if possible, to reflect the current standard.
December 2010	Identified ATOMAL, BOHEMIA, and BALK as NATO control markings not NATO Classifications. Modified the title of the Non-US Classification Markings category to "Non-US Protective Markings" to reflect that the NATO markings included in the category are both classification levels and control markings.	Remarking of legacy information is not required. Upon re-use, markings shall be modified, if possible, to reflect the current standard.
February 2008	Eliminated the Declassification Value category in the Banner Line per DD, CAPCO memo, dated 22 January 2008. This action: <ul style="list-style-type: none"> • Made the Manual Review (MR) marking obsolete – MR was never intended nor authorized as a marking for the "Declassify On" line on documents classified under EO 13526. Eliminates the need to link a declassification value in the banner line to the "Declassify On" line in the classification authority block as required by ISOO Implementing Directive. • Makes proper use of the "Declassify On" line even more critical as this value reflects applicable declassification review and exemption information. 	Remarking of legacy information is not required. Does not eliminate or rescind ISOO's requirement for a "Declassify On" value in the classification authority block on the first page of each classified document, regardless of media.
July 2005	Changed separators from commas to a single forward slash for multiple Dissemination Control Markings and Non-Intelligence Community Dissemination Control Markings categories. For the "REL TO" marking, the lower case "and" was eliminated as the indicator for the end of a country code and/or tetragraph code list.	Remarking of legacy information is not required. Upon re-use, markings shall be modified, if possible, to reflect the new standard.
October 2003	Moved the Special Access Required (SAR) marking from the Non-Intelligence Community Dissemination Control Markings category to a new category called Special Access Program Markings. The new category follows the existing SCI Control Markings category.	Remarking of legacy documents is not required. Upon re-use, markings shall be modified, if possible, to reflect the current standard.

(b)(3)

(U) Marking Examples

(U) Note: All markings are for training purposes only.

(U) Basic Example:

Banner Line: CONFIDENTIAL//REL TO USA, FVEY/RELIDO

Portion Mark: (C//REL/RELIDO) or (C//REL TO USA, FVEY/RELIDO)

Note: "REL" may be used when the portion's [LIST] matches the REL TO [LIST] in the banner.

(U) Multiple SCI Control Systems Example:

Banner Line: TOP SECRET//SI-GAMMA/TALENT KEYHOLE//RISK SENSITIVE/
ORIGINATOR CONTROLLED/NOFORN

Or abbreviated as: TOP SECRET//SI-G/TK//RSEN/ORCON/NOFORN

Portion Mark: (TS//SI-G/TK//RS/OC/NF)

(U) Multiple Notional SCI Compartments Example:

Banner Line: TOP SECRET//SI-ABC-DEF//ORCON/NOFORN

Portion Mark: (TS//SI-ABC-DEF//OC/NF)

(U) Multiple Notional SCI Sub-Compartments Example:

Banner Line: TOP SECRET//SI-G ABCD EFGH-XYZ//ORCON/NOFORN

Portion Mark: (TS//SI-G ABCD EFGH-XYZ//OC/NF)

(U) Multiple Notional Unpublished SCI control systems with AUNPUB (ANB) and XUNPUB (XNB) unpublished control systems and SI and TK published control systems Example:

Banner Line: TOP SECRET//AUNPUB/SI/TALENT KEYHOLE/XUNPUB//NOFORN

Or abbreviated as: TOP SECRET//ANB/SI/TK/XNB//NOFORN

Portion Mark: (TS//ANB/SI/TK/XNB//NF)

(U//~~FOUO~~) [REDACTED] Example:

Banner Line: [REDACTED]

Or abbreviated as: [REDACTED]

Portion Mark: [REDACTED]

[Redacted]

(U//~~FOUO~~) [Redacted] Example:

Banner Line: [Redacted]

Portion Mark: [Redacted]

(U//~~FOUO~~) [Redacted] Example:

Banner Line: [Redacted]

Or abbreviated as: [Redacted]

Portion Mark: [Redacted]

(U) Multiple SAP Notional Example:

Banner Line: TOP SECRET//SAR-BUTTER POPCORN-123/CANDY APPLE-XYZ YYY//
NOT RELEASABLE TO FOREIGN NATIONALS

Or abbreviated as: TOP SECRET//SAR-BP-123/CA-XYZ YYY//NOFORN

Portion Mark: (TS//SAR-BP-123/CA-XYZ YYY//NF)

(U) Atomic Energy Act (AEA) Markings Examples:

Banner Line Example 1: TOP SECRET//RD-CNWDI//NOFORN

Portion Mark Example 1: (TS//RD-CNWDI//NF)

Banner Line Example 2: SECRET//FRD-SIGMA 14 18//REL TO USA, ACGU

Portion Mark Example 2: (S//FRD-SIGMA 14 18//REL)

Note: "REL" may be used when the portion's [LIST] matches the REL TO [LIST] in the banner.

(U) Non-US Protective Markings Examples:

Banner Line Example 1: //COSMIC TOP SECRET//BOHEMIA

Portion Mark Example 1: (//CTS//BOHEMIA)

Banner Line Example 2: //DEU SECRET//REL TO USA, DEU

Portion Mark Example 2: (//DEU S//REL TO USA, DEU)

Banner Line Example 3: //NATO SECRET//ATOMAL//ORCON

Portion Mark Example 3: (//NS//ATOMAL//OC)

(U) JOINT Classification Example:

Banner Line: //JOINT SECRET CAN GBR USA//REL TO USA, CAN, GBR

Portion Mark: (//JOINT S//REL)

Note: "JOINT [class level]" and "REL" abbreviations may be used when the portion's [LIST] matches the JOINT and REL TO markings' [LIST] values in the banner.

(U) FGI Examples:

Banner Line Example 1: TOP SECRET//FGI DEU GBR//REL TO USA, DEU, GBR

Portion Mark Example 1: (TS//FGI DEU GBR//REL TO USA, DEU, GBR) [Commingle US TS and FGI portion]

Banner Line Example 2: SECRET//TK//FGI//NOFORN

Portion Mark Example 2: (//FGI S//NF)

(U) Dissemination Control Markings Examples:

Banner Line Example 1: SECRET//REL TO USA, DEU/RELIDO

Portion Mark Example 1: (S//REL TO USA, DEU/RELIDO)

Banner Line Example 2: SECRET//NOFORN

Portion Mark Example 2: (S//NF)

Banner Line Example 3: SECRET//NOFORN/PROPIN

Portion Mark Example 3: (S//NF/PR)

Banner Line Example 4: UNCLASSIFIED//REL TO USA, FVEY

Portion Mark Example 4: (U//REL TO USA, FVEY)

Banner Line Example 5: UNCLASSIFIED//FOUO/NOFORN)

Portion Mark Example 5: (U//FOUO/NF)

(U) Non-IC Dissemination Control Markings Example:

Banner Line: UNCLASSIFIED//SSI

Portion Mark: (U//SSI)