



# Web Services Coordination (WS-Coordination) Version 1.1

## OASIS Standard incorporating Approved Errata

12 July 2007

### Specification URIs:

#### This Version:

<http://docs.oasis-open.org/ws-tx/wstx-wscoor-1.1-spec-errata-os/wstx-wscoor-1.1-spec-errata-os.html>

<http://docs.oasis-open.org/ws-tx/wstx-wscoor-1.1-spec-errata-os.doc>

<http://docs.oasis-open.org/ws-tx/wstx-wscoor-1.1-spec-errata-os.pdf>

#### Previous Version:

<http://docs.oasis-open.org/ws-tx/wstx-wscoor-1.1-spec-os/wstx-wscoor-1.1-spec-os.html>

<http://docs.oasis-open.org/ws-tx/wstx-wscoor-1.1-spec-os.doc>

<http://docs.oasis-open.org/ws-tx/wstx-wscoor-1.1-spec-os.pdf>

#### Latest Approved Version:

<http://docs.oasis-open.org/ws-tx/wstx-wscoor-1.1-spec/wstx-wscoor-1.1-spec.html>

<http://docs.oasis-open.org/ws-tx/wstx-wscoor-1.1-spec.doc>

<http://docs.oasis-open.org/ws-tx/wstx-wscoor-1.1-spec.pdf>

### Technical Committee:

OASIS Web Services Transaction WS-TX TC

### Chair(s):

Eric Newcomer, Iona

Ian Robinson, IBM

### Editor(s):

Max Feingold, Microsoft

Ram Jeyaraman, Microsoft

### Declared XML Namespaces:

<http://docs.oasis-open.org/ws-tx/wscoor/2006/06>

### Abstract:

The WS-Coordination specification describes an extensible framework for providing protocols that coordinate the actions of distributed applications. Such coordination protocols are used to support a number of applications, including those that need to reach consistent agreement on the outcome of distributed activities.

The framework defined in this specification enables an application service to create a context needed to propagate an activity to other services and to register for coordination protocols. The framework enables existing transaction processing, workflow, and other systems for coordination to hide their proprietary protocols and to operate in a heterogeneous environment.

Additionally this specification describes a definition of the structure of context and the requirements for propagating context between cooperating services.

**Status:**

This document was last revised or approved by the WS-TX TC on the above date. The level of approval is also listed above. Check the "Latest Approved Version" location noted above for possible later revisions of this document.

Technical Committee members should send comments on this specification to the Technical Committee's email list. Others should send comments to the Technical Committee by using the "Send A Comment" button on the Technical Committee's web page at [www.oasis-open.org/committees/ws-tx](http://www.oasis-open.org/committees/ws-tx).

For information on whether any patents have been disclosed that may be essential to implementing this specification, and any offers of patent licensing terms, please refer to the Intellectual Property Rights section of the Technical Committee web page ([www.oasis-open.org/committees/ws-tx/ipr.php](http://www.oasis-open.org/committees/ws-tx/ipr.php)).

The non-normative errata page for this specification is located at [www.oasis-open.org/committees/ws-tx](http://www.oasis-open.org/committees/ws-tx).

---

## Notices

Copyright © OASIS Open 2007. All Rights Reserved.

All capitalized terms in the following text have the meanings assigned to them in the OASIS Intellectual Property Rights Policy (the "OASIS IPR Policy"). The full Policy may be found at the OASIS website.

This document and translations of it may be copied and furnished to others, and derivative works that comment on or otherwise explain it or assist in its implementation may be prepared, copied, published, and distributed, in whole or in part, without restriction of any kind, provided that the above copyright notice and this section are included on all such copies and derivative works. However, this document itself may not be modified in any way, including by removing the copyright notice or references to OASIS, except as needed for the purpose of developing any document or deliverable produced by an OASIS Technical Committee (in which case the rules applicable to copyrights, as set forth in the OASIS IPR Policy, must be followed) or as required to translate it into languages other than English.

The limited permissions granted above are perpetual and will not be revoked by OASIS or its successors or assigns.

This document and the information contained herein is provided on an "AS IS" basis and OASIS DISCLAIMS ALL WARRANTIES, EXPRESS OR IMPLIED, INCLUDING BUT NOT LIMITED TO ANY WARRANTY THAT THE USE OF THE INFORMATION HEREIN WILL NOT INFRINGE ANY OWNERSHIP RIGHTS OR ANY IMPLIED WARRANTIES OF MERCHANTABILITY OR FITNESS FOR A PARTICULAR PURPOSE.

OASIS requests that any OASIS Party or any other party that believes it has patent claims that would necessarily be infringed by implementations of this OASIS Committee Specification or OASIS Standard, to notify OASIS TC Administrator and provide an indication of its willingness to grant patent licenses to such patent claims in a manner consistent with the IPR Mode of the OASIS Technical Committee that produced this specification.

OASIS invites any party to contact the OASIS TC Administrator if it is aware of a claim of ownership of any patent claims that would necessarily be infringed by implementations of this specification by a patent holder that is not willing to provide a license to such patent claims in a manner consistent with the IPR Mode of the OASIS Technical Committee that produced this specification. OASIS may include such claims on its website, but disclaims any obligation to do so.

OASIS takes no position regarding the validity or scope of any intellectual property or other rights that might be claimed to pertain to the implementation or use of the technology described in this document or the extent to which any license under such rights might or might not be available; neither does it represent that it has made any effort to identify any such rights. Information on OASIS' procedures with respect to rights in any document or deliverable produced by an OASIS Technical Committee can be found on the OASIS website. Copies of claims of rights made available for publication and any assurances of licenses to be made available, or the result of an attempt made to obtain a general license or permission for the use of such proprietary rights by implementers or users of this OASIS Committee Specification or OASIS Standard, can be obtained from the OASIS TC Administrator. OASIS makes no representation that any information or list of intellectual property rights will at any time be complete, or that any claims in such list are, in fact, Essential Claims.

---

# Table of Contents

1	Introduction.....	5
1.1	Model.....	5
1.2	Composable Architecture.....	6
1.3	Extensibility.....	6
1.4	Terminology.....	6
1.5	Namespace.....	7
1.5.1	Prefix Namespace.....	7
1.6	XSD and WSDL Files.....	7
1.7	Coordination Protocol Elements.....	7
1.8	Normative References.....	7
1.9	Non-normative References.....	8
2	Coordination Context.....	9
3	Coordination Service.....	10
3.1	Activation Service.....	11
3.1.1	CreateCoordinationContext.....	11
3.1.2	CreateCoordinationContextResponse.....	12
3.2	Registration Service.....	13
3.2.1	Register Message.....	14
3.2.2	RegistrationResponse Message.....	15
4	Coordination Faults.....	16
4.1	Invalid State.....	17
4.2	Invalid Protocol.....	17
4.3	Invalid Parameters.....	17
4.4	Cannot Create Context.....	17
4.5	Cannot Register Participant.....	17
5	Security Model.....	19
5.1	CoordinationContext Creation.....	20
5.2	Registration Rights Delegation.....	20
6	Security Considerations.....	22
7	Use of WS-Addressing Headers.....	24
8	Glossary.....	25
	Appendix A. Acknowledgements.....	26

# 1 Introduction

The current set of Web service specifications (SOAP [SOAP 1.1] [SOAP 1.2] and WSDL [WSDL]) defines protocols for Web service interoperability. Web services increasingly tie together a large number of participants forming large distributed computational units – we refer to these computation units as activities.

The resulting activities are often complex in structure, with complex relationships between their participants. The execution of such activities often takes a long time to complete due to business latencies and user interactions.

This specification defines an extensible framework for coordinating activities using a coordinator and set of coordination protocols. This framework enables participants to reach consistent agreement on the outcome of distributed activities. The coordination protocols that can be defined in this framework can accommodate a wide variety of activities, including protocols for simple short-lived operations and protocols for complex long-lived business activities. For example, WS-AtomicTransaction [WSAT] and WS-BusinessActivity [WSBA] specifications use and build upon this specification.

Note that the use of the coordination framework is not restricted to transaction processing systems; a wide variety of protocols can be defined for distributed applications.

## 1.1 Model

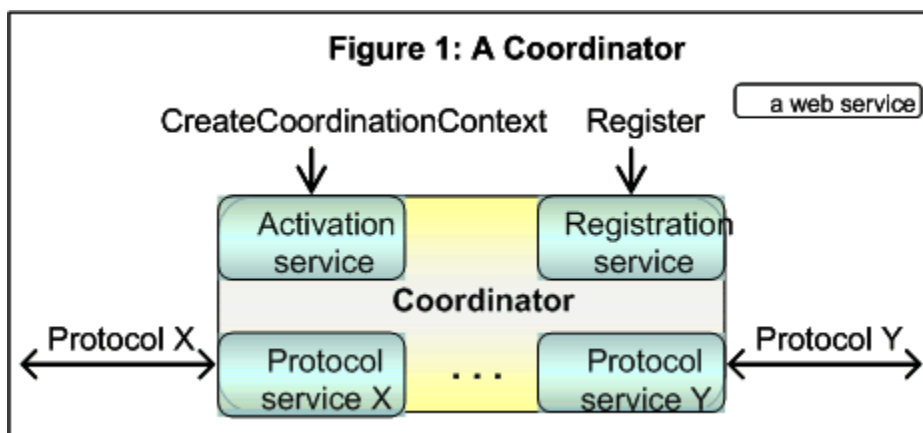
This specification describes a framework for a coordination service (or coordinator) which consists of these component services:

An Activation service with an operation that enables an application to create a coordination instance or context.

A Registration service with an operation that enables an application to register for coordination protocols.

A coordination type-specific set of coordination protocols.

This is illustrated below in Figure 1.



Applications use the Activation service to create the coordination context for an activity. Once a coordination context is acquired by an application, it is then sent by whatever appropriate means to another application.

The context contains the necessary information to register into the activity specifying the coordination behavior that the application will follow.

Additionally, an application that receives a coordination context may use the Registration service of the original application or may use one that is specified by an interposing, trusted coordinator. In this manner an arbitrary collection of Web services may coordinate their joint operation.

## 35 1.2 Composable Architecture

36 By using the XML [XML], SOAP [SOAP 1.1] [SOAP 1.2] and WSDL [WSDL] extensibility model, SOAP-  
37 based and WSDL-based specifications are designed to be composed with each other to define a rich  
38 Web services environment. As such, WS-Coordination by itself does not define all the features required  
39 for a complete solution. WS-Coordination is a building block that is used in conjunction with other  
40 specifications and application-specific protocols to accommodate a wide variety of protocols related to the  
41 operation of distributed Web services.

42 The Web service protocols defined in this specification should be used when interoperability is needed  
43 across vendor implementations, trust domains, etc. Thus, the Web service protocols defined in this  
44 specification can be combined with proprietary protocols within the same application.

## 45 1.3 Extensibility

46 The specification provides for extensibility and flexibility along two dimensions. The framework allows for:

- 47 • The publication of new coordination protocols.
- 48 • The selection of a protocol from a coordination type and the definition of extension elements that  
49 can be added to protocols and message flows.

50 Extension elements can be used to exchange application-specific data on top of message flows already  
51 defined in this specification. This addresses the need to exchange such data as transaction isolation  
52 levels or other information related to business-level coordination protocols. The data can be logged for  
53 auditing purposes, or evaluated to ensure that a decision meets certain business-specific constraints.

54 To understand the syntax used in this specification, the reader should be familiar with the WSDL [WSDL]  
55 specification, including its HTTP and SOAP binding styles. All WSDL port type definitions provided here  
56 assume the existence of corresponding SOAP and HTTP bindings.

57 Terms introduced in this specification are explained in the body of the specification and summarized in  
58 the glossary.

## 59 1.4 Terminology

60 The uppercase key words "MUST", "MUST NOT", "REQUIRED", "SHALL", "SHALL NOT", "SHOULD",  
61 "SHOULD NOT", "RECOMMENDED", "MAY", and "OPTIONAL" in this document are to be interpreted as  
62 described in [RFC2119].

63 This specification uses an informal syntax to describe the XML grammar of the XML fragments below:

- 64 • The syntax appears as an XML instance, but the values indicate the data types instead of values.
- 65 • Element names ending in "..." (such as <element.../> or <element...>) indicate that  
66 elements/attributes irrelevant to the context are being omitted.
- 67 • Attributed names ending in "..." (such as name=...) indicate that the values are specified below.
- 68 • Grammar in bold has not been introduced earlier in the document, or is of particular interest in an  
69 example.
- 70 • <!-- description --> is a placeholder for elements from some "other" namespace (like ##other in  
71 XSD).
- 72 • Characters are appended to elements, attributes, and <!-- descriptions --> as follows: "?" (0 or 1),  
73 "\*" (0 or more), "+" (1 or more). The characters "[" and "]" are used to indicate that contained  
74 items are to be treated as a group with respect to the "?", "\*", or "+" characters.
- 75 • The XML namespace prefixes (defined below) are used to indicate the namespace of the element  
76 being defined.
- 77 • Examples starting with <?xml contain enough information to conform to this specification; others  
78 examples are fragments and require additional information to be specified in order to conform.

## 79 1.5 Namespace

80 The XML namespace **[XML-ns]** URI that MUST be used by implementations of this specification is:

81 `http://docs.oasis-open.org/ws-tx/wscoor/2006/06`

### 82 1.5.1 Prefix Namespace

83 The following namespaces are used in this document:

Prefix	Namespace
S11	<a href="http://schemas.xmlsoap.org/soap/envelope">http://schemas.xmlsoap.org/soap/envelope</a>
S12	<a href="http://www.w3.org/2003/05/soap-envelope">http://www.w3.org/2003/05/soap-envelope</a>
Wscoor	<a href="http://docs.oasis-open.org/ws-tx/wscoor/2006/06">http://docs.oasis-open.org/ws-tx/wscoor/2006/06</a>
Wsa	<a href="http://www.w3.org/2005/08/addressing">http://www.w3.org/2005/08/addressing</a>

## 84 1.6 XSD and WSDL Files

85 Dereferencing the XML namespace defined in section 1.5 will produce the Resource Directory  
86 Description Language (RDDL) **[RDDL]** document that describes this namespace, including the XML  
87 schema **[XML-Schema1]** **[XML-Schema2]** and WSDL **[WSDL]** declarations associated with this  
88 specification.

89 SOAP bindings for the WSDL **[WSDL]**, referenced in the RDDL **[RDDL]** document, MUST use  
90 "document" for the *style* attribute.

## 91 1.7 Coordination Protocol Elements

92 The protocol elements define various extensibility points that allow other child or attribute content.  
93 Additional children and/or attributes MAY be added at the indicated extension points but MUST NOT  
94 contradict the semantics of the parent and/or owner, respectively. If a receiver does not recognize an  
95 extension, the receiver SHOULD ignore the extension.

## 96 1.8 Normative References

- 97 **[RDDL]** Jonathan Borden, Tim Bray, eds. "Resource Directory Description Language  
98 (RDDL) 2.0", <http://www.openhealth.org/RDDL/20040118/rddl-20040118.html>,  
99 January 2004.
- 100 **[RFC2119]** S. Bradner, "Key words for use in RFCs to Indicate Requirement Levels",  
101 <http://www.ietf.org/rfc/rfc2119.txt>, IETF RFC 2119, March 1997.
- 102 **[SOAP 1.1]** W3C Note, "SOAP: Simple Object Access Protocol 1.1",  
103 <http://www.w3.org/TR/2000/NOTE-SOAP-20000508>, 08 May 2000.
- 104 **[SOAP 1.2]** W3C Recommendation, "SOAP Version 1.2 Part 1: Messaging Framework",  
105 <http://www.w3.org/TR/soap12-part1>, June 2003.
- 106 **[XML]** W3C Recommendation, "Extensible Markup Language (XML) 1.0 (Fourth  
107 Edition)", <http://www.w3.org/TR/2006/REC-xml-20060816>, 16 August 2006.
- 108 **[XML-ns]** W3C Recommendation, "Namespaces in XML 1.0 (Second Edition),"  
109 <http://www.w3.org/TR/2006/REC-xml-names-20060816>, 16 August 2006.
- 110 **[XML-Schema1]** W3C Recommendation, "XML Schema Part 1: Structures Second Edition,"  
111 <http://www.w3.org/TR/2004/REC-xmlschema-1-20041028>, 28 October 2004.
- 112 **[XML-Schema2]** W3C Recommendation, "XML Schema Part 2: Datatypes Second Edition,"  
113 <http://www.w3.org/TR/2004/REC-xmlschema-2-20041028>, 28 October 2004.

114	<b>[WSADDR]</b>	Web Services Addressing (WS-Addressing) 1.0, W3C Recommendation, <a href="http://www.w3.org/2005/08/addressing">http://www.w3.org/2005/08/addressing</a> .
115		
116	<b>[WSDL]</b>	Web Services Description Language (WSDL) 1.1 <a href="http://www.w3.org/TR/2001/NOTE-wsdl-20010315">http://www.w3.org/TR/2001/NOTE-wsdl-20010315</a> .
117		
118	<b>[WSPOLICY]</b>	Web Services Policy 1.2 – Framework (WS-Policy), <a href="http://www.w3.org/Submission/2006/SUBM-WS-Policy-20060425/">http://www.w3.org/Submission/2006/SUBM-WS-Policy-20060425/</a> , W3C Member Submission, 25 April 2006.
119		
120		
121	<b>[WSSec]</b>	OASIS Standard 200401, March 2004, "Web Services Security: SOAP Message Security 1.0 (WS-Security 2004)", <a href="http://docs.oasis-open.org/wss/2004/01/oasis-200401-wss-soap-message-security-1.0.pdf">http://docs.oasis-open.org/wss/2004/01/oasis-200401-wss-soap-message-security-1.0.pdf</a> .
122		
123		
124	<b>[WSSecPolicy]</b>	Web Services Security Policy Language (WS-SecurityPolicy), <a href="http://schemas.xmlsoap.org/ws/2005/07/securitypolicy">http://schemas.xmlsoap.org/ws/2005/07/securitypolicy</a> , Microsoft, VeriSign, IBM, and RSA Security Inc., July 2005.
125		
126		
127	<b>[WSSecConv]</b>	Web Services Secure Conversation Language (WS-SecureConversation), <a href="http://schemas.xmlsoap.org/ws/2005/02/sc">http://schemas.xmlsoap.org/ws/2005/02/sc</a> , OpenNetwork, Layer7, Netegrity, Microsoft, Reactivity, IBM, VeriSign, BEA Systems, Oblix, RSA Security, Ping Identity, Westbridge, Computer Associates, February 2005.
128		
129		
130		
131	<b>[WSTrust]</b>	Web Services Trust Language (WS-Trust), <a href="http://schemas.xmlsoap.org/ws/2005/02/trust">http://schemas.xmlsoap.org/ws/2005/02/trust</a> , OpenNetwork, Layer7, Netegrity, Microsoft, Reactivity, VeriSign, IBM, BEA Systems, Oblix, RSA Security, Ping Identity, Westbridge, Computer Associates, February 2005.
132		
133		
134		

## 135 1.9 Non-normative References

136		
137	<b>[WSAT]</b>	Web Services Atomic Transaction (WS-AtomicTransaction) <a href="http://docs.oasis-open.org/ws-tx/wsata/2006/06">http://docs.oasis-open.org/ws-tx/wsata/2006/06</a> .
138		
139	<b>[WSBA]</b>	Web Services Business Activity (WS-BusinessActivity) <a href="http://docs.oasis-open.org/ws-tx/wsba/2006/06">http://docs.oasis-open.org/ws-tx/wsba/2006/06</a> .
140		



---

## 2 Coordination Context

141

142 The CoordinationContext is used by applications to pass Coordination information to parties involved in  
143 an activity. CoordinationContext elements are propagated to parties which may need to register  
144 Participants for the activity. Context propagation may be accomplished using application-defined  
145 mechanisms -- e.g. as a header element of a SOAP application message sent to such parties.  
146 (Conveying a context in an application message is commonly referred to as flowing the context.) A  
147 CoordinationContext provides access to a coordination registration service, a coordination type, and  
148 relevant extensions.

149 The following is an example of a CoordinationContext supporting a transaction service:

```
150 <?xml version="1.0" encoding="utf-8"?>
151 <S11:Envelope xmlns:S11="http://www.w3.org/2003/05/soap-envelope">
152   <S11:Header>
153     . . .
154     <wscoor:CoordinationContext
155       xmlns:wsa="http://www.w3.org/2005/08/addressing"
156       xmlns:wscoor="http://docs.oasis-open.org/ws-tx/wscoor/2006/06"
157       xmlns:myApp="http://www.example.com/myApp"
158       S11:mustUnderstand="true">
159       <wscoor:Identifier>
160         http://Fabrikam123.com/SS/1234
161       </wscoor:Identifier>
162       <wscoor:Expires>3000</wscoor:Expires>
163       <wscoor:CoordinationType>
164         http://docs.oasis-open.org/ws-tx/wsac/2006/06
165       </wscoor:CoordinationType>
166       <wscoor:RegistrationService>
167         <wsa:Address>
168           http://Business456.com/mycoordinationservice/registration
169         </wsa:Address>
170         <wsa:ReferenceParameters>
171           <myApp:BetaMark> ... </myApp:BetaMark>
172           <myApp:EBDCode> ... </myApp:EBDCode>
173         </wsa:ReferenceParameters>
174       </wscoor:RegistrationService>
175       <myApp:IsolationLevel>
176         RepeatableRead
177       </myApp:IsolationLevel>
178     </wscoor:CoordinationContext>
179     . . .
180   </S11:Header>
181   </S11:Body>
182   . . .
183 </S11:Body >
184 </S11:Envelope>
185
```

186 When an application propagates an activity using a coordination service, applications **MUST** include a  
187 CoordinationContext in the message.

188 When a context is exchanged as a SOAP header, the `mustUnderstand` attribute **MUST** be present and its  
189 value **MUST** be true.

---

## 190 3 Coordination Service

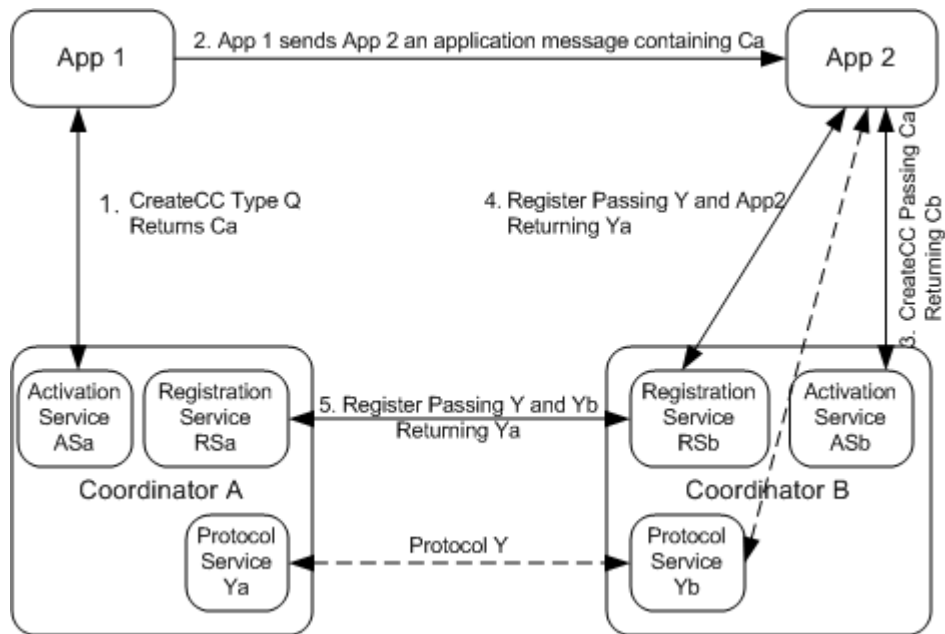
191 The Coordination service (or coordinator) is an aggregation of the following services:

- 192 • Activation service: Defines a CreateCoordinationContext operation that allows a  
193 CoordinationContext to be created. The exact semantics are defined in the specification that  
194 defines the coordination type. The Coordination service MAY support the Activation service.
- 195 • Registration service: Defines a Register operation that allows a Web service to register to  
196 participate in a coordination protocol. The Coordination service MUST support the Registration  
197 service.
- 198 • A set of coordination protocol services for each supported coordination type. These are defined in  
199 the specification that defines the coordination type.

200 Figure 2 illustrates an example of how two application services (App1 and App2) with their own  
201 coordinators (CoordinatorA and CoordinatorB) interact as the activity propagates between them. The  
202 protocol Y and services Ya and Yb are specific to a coordination type, which are not defined in this  
203 specification.

- 204 1. App1 sends a CreateCoordinationContext for coordination type Q, getting back a Context Ca that  
205 contains the activity identifier A1, the coordination type Q and an Endpoint Reference to  
206 CoordinatorA's Registration service RSa.
- 207 2. App1 then sends an application message to App2 containing the Context Ca.
- 208 3. App2 prefers to use CoordinatorB instead of CoordinatorA, so it uses CreateCoordinationContext  
209 with Ca as an input to interpose CoordinatorB. CoordinatorB creates its own CoordinationContext  
210 Cb that contains the same activity identifier and coordination type as Ca but with its own  
211 Registration service RSb.
- 212 4. App2 determines the coordination protocols supported by the coordination type Q and then  
213 Registers for a coordination protocol Y at CoordinatorB, exchanging Endpoint References for  
214 App2 and the protocol service Yb. This forms a logical connection between these Endpoint  
215 References that the protocol Y can use.
- 216 5. This registration causes CoordinatorB to decide to immediately forward the registration onto  
217 CoordinatorA's Registration service RSa, exchanging Endpoint References for Yb and the  
218 protocol service Ya. This forms a logical connection between these Endpoint References that the  
219 protocol Y can use.

220 Figure 2: Two applications with their own coordinators



221

222 It should be noted that in this example several actions are taken that are not required by this specification,  
 223 but which may be defined by the coordination type specification or are implementation or configuration  
 224 choices. Specifications of coordination types and coordination protocols that need to constrain the sub-  
 225 coordination behavior of implementations SHOULD state these requirements in their specification.

### 226 3.1 Activation Service

227 The Activation service creates a new activity and returns its coordination context.

228 An application sends:

229 CreateCoordinationContext

230 The structure and semantics of this message are defined in Section 3.1.1.

231 The activation service returns:

232 CreateCoordinationContextResponse

233 The structure and semantics of this message is defined in Section 3.1.2

#### 234 3.1.1 CreateCoordinationContext

235 This request is used to create a coordination context that supports a coordination type (i.e., a service that  
 236 provides a set of coordination protocols). This command is required when using a network-accessible  
 237 Activation service in heterogeneous environments that span vendor implementations. To fully understand  
 238 the semantics of this operation it is necessary to read the specification where the coordination type is  
 239 defined (e.g. WS-AtomicTransaction).

240 The following pseudo schema defines this element:

```

241 <CreateCoordinationContext ...>
242   <Expires> ... </Expires>?
243   <CurrentContext> ... </CurrentContext>?
244   <CoordinationType> ... </CoordinationType>
245   ...
246 </CreateCoordinationContext>
247

```

248 Expires is an optional element which represents the remaining expiration for the CoordinationContext as  
 249 an unsigned integer in milliseconds to be measured from the point at which the context was first received.

250 /CreateCoordinationContext/CoordinationType  
251 This provides the unique identifier for the desired coordination type for the activity (e.g., a URI to  
252 the Atomic Transaction coordination type).

253 /CreateCoordinationContext/Expires  
254 Optional. The expiration for the returned CoordinationContext expressed as an unsigned integer  
255 in milliseconds.

256 /CreateCoordinationContext/CurrentContext  
257 Optional. If absent, the Activation Service creates a coordination context representing a new,  
258 independent activity. If present, the Activation Service creates a coordination context representing  
259 a new activity which is related to the existing activity identified by the current coordination context  
260 contained in this element. Some examples of potential uses of this type of relationship include  
261 interposed subordinate coordination, protocol bridging and coordinator replication.

262 /CreateCoordinationContext /{any}  
263 Extensibility elements may be used to convey additional information.

264 /CreateCoordinationContext /@{any}  
265 Extensibility attributes may be used to convey additional information.

266 A CreateCoordinationContext message can be as simple as the following example.

```
267 <CreateCoordinationContext>  
268   <CoordinationType>  
269     http://docs.oasis-open.org/ws-tx/wsat/2006/06  
270   </CoordinationType>  
271 </CreateCoordinationContext>
```

### 272 3.1.2 CreateCoordinationContextResponse

273 This returns the CoordinationContext that was created.

274 The following pseudo schema defines this element:

```
275 <CreateCoordinationContextResponse ...>  
276   <CoordinationContext> ... </CoordinationContext>  
277   ...  
278 </CreateCoordinationContextResponse>
```

279 /CreateCoordinationContext/CoordinationContext

280 This is the created coordination context.

281 /CreateCoordinationContext /{any}  
282 Extensibility elements may be used to convey additional information.

283 /CreateCoordinationContext /@{any}  
284 Extensibility attributes may be used to convey additional information.

285 The following example illustrates a response:

```
286 <CreateCoordinationContextResponse>  
287   <CoordinationContext>  
288     <Identifier>  
289       http://Business456.com/tm/context1234  
290     </Identifier>  
291     <CoordinationType>  
292       http://docs.oasis-open.org/ws-tx/wsat/2006/06  
293     </CoordinationType>  
294     <RegistrationService>  
295       <wsa:Address>
```

```

296         http://Business456.com/tm/registration
297     </wsa:Address>
298     <wsa:ReferenceParameters>
299         <myapp:PrivateInstance>
300             1234
301         </myapp:PrivateInstance>
302     </wsa:ReferenceParameters>
303 </RegistrationService>
304 </CoordinationContext>
305 </CreateCoordinationContextResponse>

```

### 306 3.2 Registration Service

307 Once an application has a coordination context from its chosen coordinator, it can register for the activity.  
 308 The interface provided to an application registering for an activity and for an interposed coordinator  
 309 registering for an activity is the same.

310 The requester sends:

311 Register

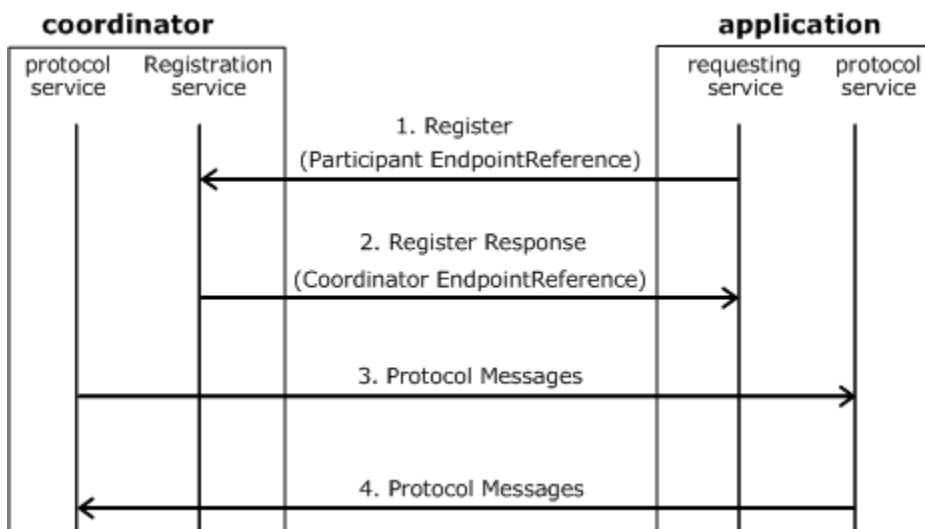
312 The syntax and semantics of this message are defined in Section 3.2.1.

313 The coordinator's registration service responds with:

314 Registration Response

315 The syntax and semantics of this message are defined in Section 3.2.2.

316 Figure 3: The usage of Endpoint References during registration



317  
 318 In Figure 3, the coordinator provides the Registration Endpoint Reference in the CoordinationContext  
 319 during the CreateCoordinationContext operation. The requesting service receives the Registration service  
 320 Endpoint Reference in the CoordinationContext in an application message.

- 321 1.) The Register message targets this Endpoint Reference and includes the participant protocol service
- 322 Endpoint Reference as a parameter.
- 323 2.) The RegisterResponse includes the coordinator's protocol service Endpoint Reference.
- 324 3. & 4.) At this point, both sides have the Endpoint References of the other's protocol service, so the
- 325 protocol messages can target the other side.

326 These Endpoint References may contain (opaque) wsa:ReferenceParameters to fully qualify the target  
327 protocol service endpoint. Endpoint References MUST be interpreted according to the rules defined in  
328 WS-Addressing 1.0 Core [WSADDR].

329 A Registration service is not required to detect duplicate Register requests and MAY treat each Register  
330 message as a request to register a distinct participant.

331 A participant MAY send multiple Register requests to a Registration service. For example, it may retry a  
332 Register request following a lost RegisterResponse, or it may fail and restart after registering successfully  
333 but before performing any recoverable work.

334 If a participant sends multiple Register requests for the same activity, the participant MUST be prepared  
335 to correctly handle duplicate protocol messages from the coordinator. One simple strategy for  
336 accomplishing this is for the participant to generate a unique reference parameter for each participant  
337 Endpoint Reference that it provides in a Register request. The manner in which the participant handles  
338 duplicate protocol messages depends on the specific coordination type and coordination protocol.

### 339 3.2.1 Register Message

340 The Register request is used to do the following:

- 341 • Participant selection and registration in a particular Coordination protocol under the current  
342 coordination type supported by the Coordination Service.
- 343 • Exchange Endpoint References. Each side of the coordination protocol (participant and  
344 coordinator) supplies an Endpoint Reference.

345 Participants MAY register for multiple Coordination protocols by issuing multiple Register operations. WS-  
346 Coordination assumes that transport protocols provide for message batching if required.

347 The following pseudo schema defines this element:

```
348 <Register ...>  
349   <ProtocolIdentifier> ... </ProtocolIdentifier>  
350   <ParticipantProtocolService> ... </ParticipantProtocolService>  
351   ...  
352 </Register>
```

353 /Register/ProtocolIdentifier

354 This URI provides the identifier of the coordination protocol selected for registration.

355 /Register/ParticipantProtocolService

356 The Endpoint Reference that the registering participant wants the coordinator to use for the  
357 Coordination protocol (See WS-Addressing [WSADDR]).

358 /Register/{any}

359 Extensibility elements may be used to convey additional information.

360 / Register/@{any}

361 Extensibility attributes may be used to convey additional information.

362 The following is an example registration message:

```
363 <Register>  
364   <ProtocolIdentifier>  
365     http://docs.oasis-open.org/ws-tx/wsat/2006/06/Volatile2PC  
366   </ProtocolIdentifier>  
367   <ParticipantProtocolService>  
368     <wsa:Address>  
369       http://Adventure456.com/participant2PCservice  
370     </wsa:Address>  
371     <wsa:ReferenceParameters>
```

```
372         <BetaMark> AlphaBetaGamma </BetaMark>
373         </wsa:ReferenceParameters>
374     </ParticipantProtocolService>
375 </Register>
```

### 376 3.2.2 RegistrationResponse Message

377 The response to the registration message contains the coordinator's Endpoint Reference.

378 The following pseudo schema defines this element:

```
379 <RegisterResponse ...>
380   <CoordinatorProtocolService> ... </CoordinatorProtocolService>
381   ...
382 </RegisterResponse>
```

383 /RegisterResponse/CoordinatorProtocolService

384 The Endpoint Reference that the Coordination service wants the registered participant to use for  
385 the Coordination protocol.

386 /RegisterResponse/{any}

387 Extensibility elements may be used to convey additional information.

388 /RegisterResponse /@{any}

389 Extensibility attributes may be used to convey additional information.

390 The following is an example of a RegisterResponse message:

```
391 <RegisterResponse>
392   <CoordinatorProtocolService>
393     <wsa:Address>
394       http://Business456.com/mycoordinationservice/coordinator
395     </wsa:Address>
396     <wsa:ReferenceParameters>
397       <myapp:MarkKey> %%F03CA2B%% </myapp:MarkKey>
398     </wsa:ReferenceParameters>
399   </CoordinatorProtocolService>
400 </RegisterResponse>
```

401 .

---

## 4 Coordination Faults

402

403 WS-Coordination faults MUST include as the [action] property the following fault action URI:

404

```
http://docs.oasis-open.org/ws-tx/wscoor/2006/06/fault
```

405 The protocol faults defined in this section are generated if the condition stated in the preamble is met.  
406 When used by a specification that references this specification, these faults are targeted at a destination  
407 endpoint according to the protocol fault handling rules defined for that specification.

408 The definitions of faults in this section use the following properties:

409 [Code] The fault code.

410 [Subcode] The fault subcode.

411 [Reason] A human readable explanation of the fault.

412 [Detail] The detail element. If absent, no detail element is defined for the fault.

413 For SOAP 1.2 **[SOAP 1.2]**, the [Code] property MUST be either "Sender" or "Receiver". These properties  
414 are serialized into text XML as follows:

415

SOAP Version	Sender	Receiver
SOAP 1.2	S12:Sender	S12:Receiver

416

417 The properties above bind to a SOAP 1.2 **[SOAP 1.2]** fault as follows:

418

419

420

421

422

423

424

425

426

427

428

429

430

431

432

433

434

435

436

437

438

439

440

441

442

```
<S12:Envelope>
  <S12:Header>
    <wsa:Action>
      http://docs.oasis-open.org/ws-tx/wscoor/2006/06/fault
    </wsa:Action>
    <!-- Headers elided for clarity. -->
  </S12:Header>
  <S12:Body>
    <S12:Fault>
      <S12:Code>
        <S12:Value> [Code] </S12:Value>
        <S12:Subcode>
          <S12:Value> [Subcode] </S12:Value>
        </S12:Subcode>
      </S12:Code>
      <S12:Reason>
        <S12:Text xml:lang="en"> [Reason] </S12:Text>
      </S12:Reason>
      <S12:Detail>
        [Detail]
        ...
      </S12:Detail>
    </S12:Fault>
  </S12:Body>
</S12:Envelope>
```

443 The properties bind to a SOAP 1.1 **[SOAP 1.1]** fault as follows:

444

445

446

447

```
<S11:Envelope>
  <S11:Body>
    <S11:Fault>
      <faultcode> [Subcode] </faultcode>
```



```
448     <faultstring xml:lang="en">[Reason]</faultstring>
449     </S11:Fault>
450     </S11:Body>
451 </S11:Envelope>
```

## 452 **4.1 Invalid State**

453 This fault is sent by either the coordinator or a participant to indicate that the endpoint that generated the  
454 fault has received a message that is not valid for its current state. This is an unrecoverable condition.

455 Properties:

456 [Code] Sender

457 [Subcode] wscoor:InvalidState

458 [Reason] The message was invalid for the current state of the activity.

459 [Detail] unspecified

## 460 **4.2 Invalid Protocol**

461 This fault is sent by either the coordinator or a participant to indicate that the endpoint that generated the  
462 fault received a message which is invalid for the protocols supported by the endpoint. This is an  
463 unrecoverable condition.

464 Properties:

465 [Code] Sender

466 [Subcode] wscoor:InvalidProtocol

467 [Reason] The protocol is invalid or is not supported by the coordinator.

## 468 **4.3 Invalid Parameters**

469 This fault is sent by either the coordinator or a participant to indicate that the endpoint that generated the  
470 fault received invalid parameters on or within a message. This is an unrecoverable condition.

471 Properties:

472 [Code] Sender

473 [Subcode] wscoor:InvalidParameters

474 [Reason] The message contained invalid parameters and could not be processed.

## 475 **4.4 Cannot Create Context**

476 This fault is sent by the Activation Service to the sender of a CreateCoordinationContext to indicate that a  
477 context could not be created.

478 Properties:

479 [Code] Sender

480 [Subcode] wscoor:CannotCreateContext

481 [Reason] CoordinationContext could not be created.

482 [Detail] unspecified

## 483 **4.5 Cannot Register Participant**

484 This fault is sent by the Registration Service to the sender of a Register to indicate that the Participant  
485 could not be registered.

486 Properties:  
487 [Code] Sender  
488 [Subcode] wscor:CannotRegisterParticipant  
489 [Reason] Participant could not be registered.  
490 [Detail] unspecified

---

## 5 Security Model

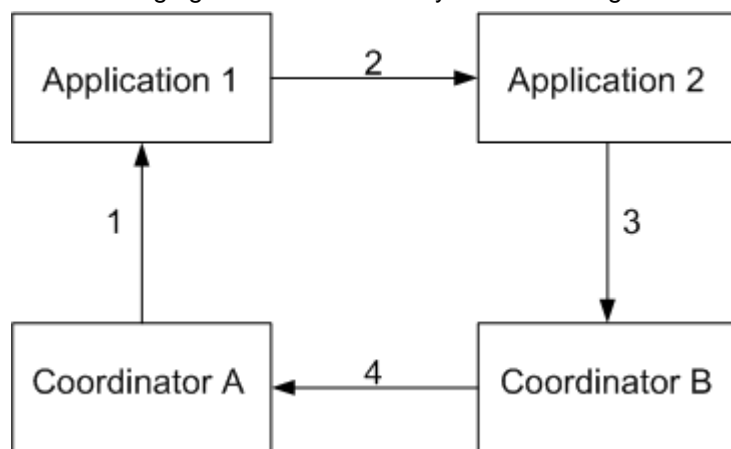
491

492 The primary goals of security with respect to WS-Coordination are to:

- 493 1. ensure only authorized principals can create coordination contexts  
494 2. ensure only authorized principals can register with an activity  
495 3. ensure only legitimate coordination contexts are used to register  
496 4. enable existing security infrastructures to be leveraged  
497 5. allow principal authorization to be based on federated identities

498 These goals build on the general security requirements for integrity, confidentiality, and authentication,  
499 each of which is provided by the foundations built using the Web service security specifications such as  
500 WS-Security **[WSec]** and WS-Trust **[WSTrust]**.

501 The following figure illustrates a fairly common usage scenario:



502

503 In the figure above, step 1 involves the creation and subsequent communication between the creator of  
504 the context and the coordinator A (root). It should be noted that this may be a private or local  
505 communication. Step 2 involves the delegation of the right to register with the activity using the  
506 information from the coordination context and subsequent application messages between two  
507 applications (and may include middleware involvement) which are participants in the activity. Step 3  
508 involves delegation of the right to register with the activity to coordinator B (subordinate) that manages all  
509 access to the activity on behalf of the second, and possibly other parties. Again note that this may also be  
510 a private or local communication. Step 4 involves registration with the coordinator A by the coordinator B  
511 and proof that registration rights were delegated.

512 It should be noted that many different coordination topologies may exist which may leverage different  
513 security technologies, infrastructures, and token formats. Consequently an appropriate security model  
514 must allow for different topologies, usage scenarios, delegation requirements, and security configurations.

515 To achieve these goals, the security model for WS-Coordination leverages the infrastructure provided by  
516 WS-Security **[WSec]**, WS-Trust **[WSTrust]**, WS-Policy **[WSPOLICY]**, and WS-SecureConversation  
517 **[WSecConv]**: Services have policies specifying their requirements and requestors provide claims (either  
518 implicit or explicit) and the requisite proof of those claims.

519 There are a number of different mechanisms which can be used to affect the previously identified goals.  
520 However, this specification RECOMMENDS a simple mechanism, which is described here, for use in  
521 interoperability scenarios.

522 **5.1 CoordinationContext Creation**

523 When a coordination context is created (step 1 above) the message is secured using the mechanisms  
524 described in WS-Security. If the required claims are proven, as described by WS-Policy [WSPOLICY],  
525 then the coordination context is created.

526 A set of claims, bound to the identity of the coordination context's creator, and maintained by the  
527 coordinator, are associated with the creation of the coordination context. The creator of the context MUST  
528 obtain these claims from the coordinator. Before responding with the claims, the coordinator requires  
529 proof of the requestor's identity.

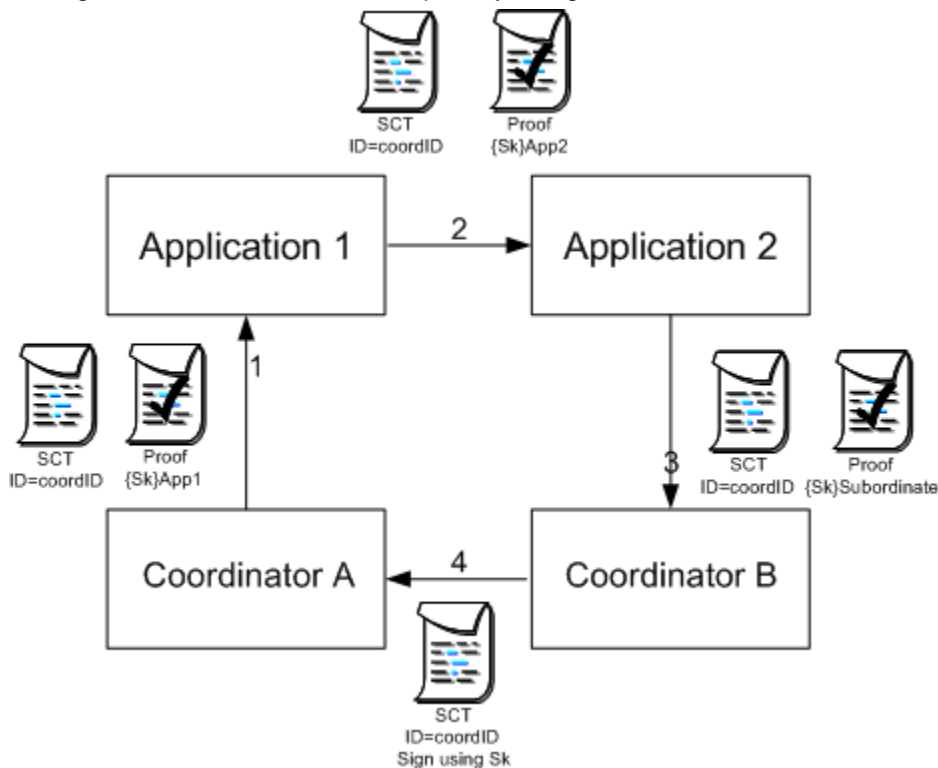
530 Additionally, the coordinator provides a shared secret which is used to indicate authorization to register  
531 with the coordination context by other parties. The secret is communicated using a security token and a  
532 <wst:RequestSecurityTokenResponse> element inside a <wst:IssuedTokens> header. The security  
533 token and hence the secret is scoped to a particular coordination context using the textual value of a  
534 <wscor:Identifier> element in a <wsp:AppliesTo> element in the  
535 <wst:RequestSecurityTokenResponse> using the mechanisms described in WS-Trust [WSTrust]. This  
536 secret may be delegated to other parties as described in the next section.

537 **5.2 Registration Rights Delegation**

538 Secret delegation is performed by propagation of the security token that was created by the root  
539 Coordinator. This involves using the <wst:IssuedTokens> header containing a  
540 <wst:RequestSecurityTokenResponse> element. The entire header SHOULD be encrypted for the new  
541 participant.

542 The participants can then use the shared secret using WS-Security by providing a signature based on the  
543 key/secret to authenticate and authorize the right to register with the activity that created the coordination  
544 context.

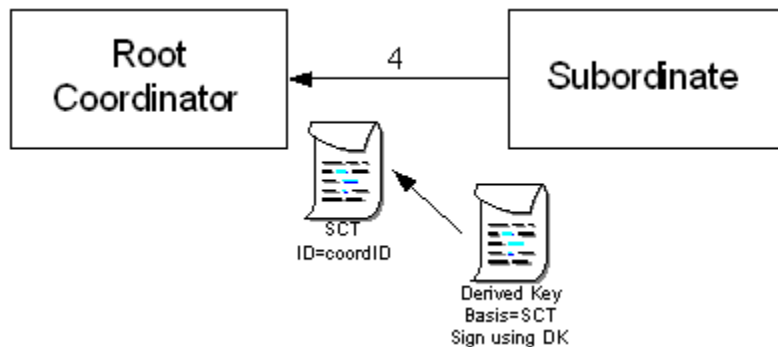
545 The figure below illustrates this simple key delegation model:



546

547 As illustrated in the figure above, the coordinator A, root in this case, (or its delegate) creates a security  
548 context token (cordID) representing the right to register and returns (using the mechanisms defined in  
549 WS-Trust **[WSTrust]**) that token to Application 1 (or its delegate) (defined in WS-SecureConversation  
550 **[WSSecConv]**) and a session key (Sk) encrypted for Application 1 inside of a proof token. This key  
551 allows Application 1 (or its delegate) to prove it is authorized to use the SCT. Application 1 (or its  
552 delegate) decrypts the session key (Sk) and encrypts it for Application 2 its delegate. Application 2 (or its  
553 delegate) performs the same act encrypting the key for the subordinate. Finally, coordinator B,  
554 subordinate in this case, proves its right to the SCT by including a signature using Sk.

555 It is RECOMMENDED by this specification that the key/secret never actually be used to secure a  
556 message. Instead, keys derived from this secret SHOULD be used to secure a message, as described in  
557 WS-SecureConversation **[WSSecConv]**. This technique is used to maximize the strength of the  
558 key/secret as illustrated in the figure below:



559

560

---

## 561 6 Security Considerations

562 It is strongly RECOMMENDED that the communication between services be secured using the  
563 mechanisms described in WS-Security [WSSec]. In order to properly secure messages, the body and all  
564 relevant headers need to be included in the signature. Specifically, the <wscoor:CoordinationContext>  
565 header needs to be signed with the body and other key message headers in order to "bind" the two  
566 together. This will ensure that the coordination context is not tampered. In addition the reference  
567 parameters within an Endpoint Reference may be encrypted to ensure their privacy.

568 In the event that a participant communicates frequently with a coordinator, it is RECOMMENDED that a  
569 security context be established using the mechanisms described in WS-Trust [WSTrust] and WS-  
570 SecureConversation [WSSecConv] allowing for potentially more efficient means of authentication.

571 It is common for communication with coordinators to exchange multiple messages. As a result, the usage  
572 profile is such that it is susceptible to key attacks. For this reason it is strongly RECOMMENDED that the  
573 keys used to secure the channel be changed frequently. This "re-keying" can be effected a number of  
574 ways. The following list outlines four common techniques:

- 575 • Attaching a nonce to each message and using it in a derived key function with the shared secret
- 576 • Using a derived key sequence and switch "generations"
- 577 • Closing and re-establishing a security context
- 578 • Exchanging new secrets between the parties

579 It should be noted that the mechanisms listed above are independent of the Security Context Token  
580 (SCT) and secret returned when the coordination context is created. That is, the keys used to secure the  
581 channel may be independent of the key used to prove the right to register with the coordination context.

582 The security context MAY be re-established using the mechanisms described in WS-Trust [WSTrust] and  
583 WS-SecureConversation [WSSecConv]. Similarly, secrets MAY be exchanged using the mechanisms  
584 described in WS-Trust [WSTrust]. Note, however, that the current shared secret SHOULD NOT be used  
585 to encrypt the new shared secret. Derived keys, the preferred solution from this list, MAY be specified  
586 using the mechanisms described in WS-SecureConversation [WSSecConv].

587 The following list summarizes common classes of attacks that apply to this protocol and identifies the  
588 mechanism to prevent/mitigate the attacks:

- 589 • **Message alteration** – Alteration is prevented by including signatures of the message information  
590 using WS-Security [WSSec].
- 591 • **Message disclosure** – Confidentiality is preserved by encrypting sensitive data using WS-  
592 Security [WSSec].
- 593 • **Key integrity** – Key integrity is maintained by using the strongest algorithms possible (by  
594 comparing secured policies – see WS-Policy [WSPOLICY] and WS-SecurityPolicy  
595 [WSSecPolicy]).
- 596 • **Authentication** – Authentication is established using the mechanisms described in WS-Security  
597 [WSSec] and WS-Trust [WSTrust]. Each message is authenticated using the mechanisms  
598 described in WS-Security [WSSec].
- 599 • **Accountability** – Accountability is a function of the type of and string of the key and algorithms  
600 being used. In many cases, a strong symmetric key provides sufficient accountability. However, in  
601 some environments, strong PKI signatures are required.
- 602 • **Availability** – Many services are subject to a variety of availability attacks. Replay is a common  
603 attack and it is RECOMMENDED that this be addressed as described in the next bullet. Other  
604 attacks, such as network-level denial of service attacks are harder to avoid and are outside the

605 scope of this specification. That said, care should be taken to ensure that minimal processing be  
606 performed prior to any authenticating sequences.

- 607 • **Replay** – Messages may be replayed for a variety of reasons. To detect and eliminate this  
608 attack, mechanisms should be used to identify replayed messages such as the timestamp/nonce  
609 outlined in WS-Security [**WSSEC**]. Alternatively, and optionally, other technologies, such as  
610 sequencing, can also be used to prevent replay of application messages.

---

## 611 7 Use of WS-Addressing Headers

612 The protocols defined in WS-Coordination use a “request-response” message exchange pattern. The  
613 messages used in these protocols can be classified into two types:

- 614 • Request messages: **CreateCoordinationContext** and **Register**.
- 615 • Reply messages: **CreateCoordinationContextResponse** and **RegisterResponse** and the  
616 protocol faults defined in [Section 4](#) of this specification.

617 Request messages used in WS-Coordination protocols MUST be constructed in accordance with section  
618 3.3 of WS-Addressing 1.0 Core [**WSADDR**].

619 Reply and fault messages used in WS-Coordination protocols MUST be constructed in accordance with  
620 section 3.4 of WS-Addressing 1.0 Core [**WSADDR**].

621 Request and reply messages MUST include as the [action] property an action URI that consists of the  
622 wscor namespace URI concatenated with the "/" character and the element name of the message. For  
623 example:

624 `http://docs.oasis-open.org/ws-tx/wscor/2006/06/Register`



625

---

## 8 Glossary

626 The following definitions are used throughout this specification:

627 **Activation service:** This supports a CreateCoordinationContext operation that is used by participants to  
628 create a CoordinationContext.

629 **CoordinationContext:** Contains the activity identifier, its coordination type that represents the collection  
630 of behaviors supported by the activity and a Registration service Endpoint Reference that participants can  
631 use to register for one or more of the protocols supported by that activity's coordination type.

632 **Coordination protocol:** The definition of the coordination behavior and the messages exchanged  
633 between the coordinator and a participant playing a specific role within a coordination type. WSDL  
634 definitions are provided, along with sequencing rules for the messages. The definition of coordination  
635 protocols are provided in additional specification (e.g., WS-AtomicTransaction).

636 **Coordination type:** A defined set of coordination behaviors, including how the service accepts context  
637 creations and coordination protocol registrations, and drives the coordination protocols associated with  
638 the activity.

639 **Coordination service (or Coordinator):** This service consists of an activation service, a registration  
640 service, and a set of coordination protocol services.

641 **Participant:** A service that is carrying out a computation within the activity. A participant receives the  
642 CoordinationContext and can use it to register for coordination protocols.

643 **Registration service:** This supports a Register operation that is used by participants to register for any of  
644 the coordination protocols supported by a coordination type, such as WS-AtomicTransaction [**WSAT**]  
645 Two-Phase Commit (2PC) or WS-BusinessActivity [**WSBA**]  
646 BusinessAgreementWithCoordinatorCompletion.

647 **Web service:** A Web service is a computational service, accessible via messages of definite,  
648 programming-language-neutral and platform-neutral format, and which has no special presumption that  
649 the results of the computation are used primarily for display by a user-agent.

---

## 650 Appendix A. Acknowledgements

651 This document is based on initial contribution to OASIS WS-TX Technical Committee by the  
652 following authors: Luis Felipe Cabrera (Microsoft), George Copeland (Microsoft), Max Feingold (Microsoft)  
653 (Editor), Robert W Freund (Hitachi), Tom Freund (IBM), Jim Johnson (Microsoft), Sean Joyce (IONA),  
654 Chris Kaler (Microsoft), Johannes Klein (Microsoft), David Langworthy (Microsoft), Mark Little (Arjuna  
655 Technologies), Anthony Nadalin (IBM), Eric Newcomer (IONA), David Orchard (BEA Systems), Ian  
656 Robinson (IBM), John Shewchuk (Microsoft), Tony Storey (IBM).

657  
658 The following individuals have provided invaluable input into the initial contribution: Francisco Curbera  
659 (IBM), Sanjay Dalal (BEA Systems), Doug Davis (IBM), Don Ferguson (IBM), Kirill Gavrylyuk (Microsoft),  
660 Dan House (IBM), Oisin Hurley (IONA), Frank Leymann (IBM), Thomas Mikalsen (IBM), Jagan Peri  
661 (Microsoft), Alex Somogyi (BEA Systems), Stefan Tai (IBM), Satish Thatte (Microsoft), Gary Tully (IONA),  
662 Sanjiva Weerawarana (IBM).

663

664 The following individuals were members of the committee during the development of this specification:

665

### 666 **Participants:**

667

668 Charlton Barreto, Adobe Systems, Inc.  
669 Martin Chapman, Oracle Corporation  
670 Kevin Conner, JBoss Inc.  
671 Paul Cotton, Microsoft Corporation  
672 Doug Davis, IBM  
673 Colleen Evans, Microsoft Corporation  
674 Max Feingold, Microsoft Corporation  
675 Thomas Freund, IBM  
676 Robert Freund, Hitachi, Ltd.  
677 Peter Furniss, Choreology Ltd.  
678 Marc Goodner, Microsoft Corporation  
679 Alastair Green, Choreology Ltd.  
680 Daniel House, IBM  
681 Ram Jeyaraman, Microsoft Corporation  
682 Paul Knight, Nortel Networks Limited  
683 Mark Little, JBoss Inc.  
684 Jonathan Marsh, Microsoft Corporation  
685 Monica Martin, Sun Microsystems  
686 Joseph Fialli, Sun Microsystems  
687 Eric Newcomer, IONA Technologies  
688 Eisaku Nishiyama, Hitachi, Ltd.  
689 Alain Regnier, Ricoh Company, Ltd.  
690 Ian Robinson, IBM  
691 Tom Rutt, Fujitsu Limited  
692 Andrew Wilkinson, IBM

693